



Chipsmall Limited consists of a professional team with an average of over 10 year of expertise in the distribution of electronic components. Based in Hongkong, we have already established firm and mutual-benefit business relationships with customers from,Europe,America and south Asia,supplying obsolete and hard-to-find components to meet their specific needs.

With the principle of “Quality Parts,Customers Priority,Honest Operation,and Considerate Service”,our business mainly focus on the distribution of electronic components. Line cards we deal with include Microchip,ALPS,ROHM,Xilinx,Pulse,ON,Everlight and Freescale. Main products comprise IC,Modules,Potentiometer,IC Socket,Relay,Connector.Our parts cover such applications as commercial,industrial, and automotives areas.

We are looking forward to setting up business relationship with you and hope to provide you with the best service and solution. Let us make a better world for our industry!



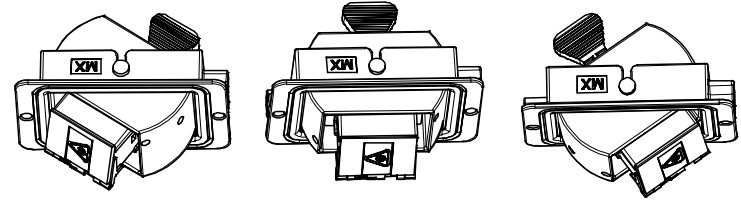
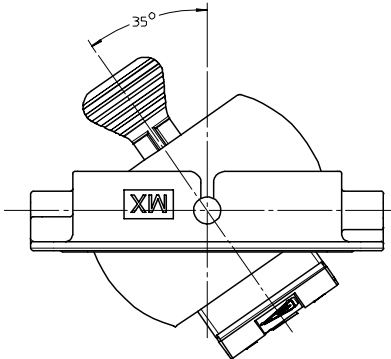
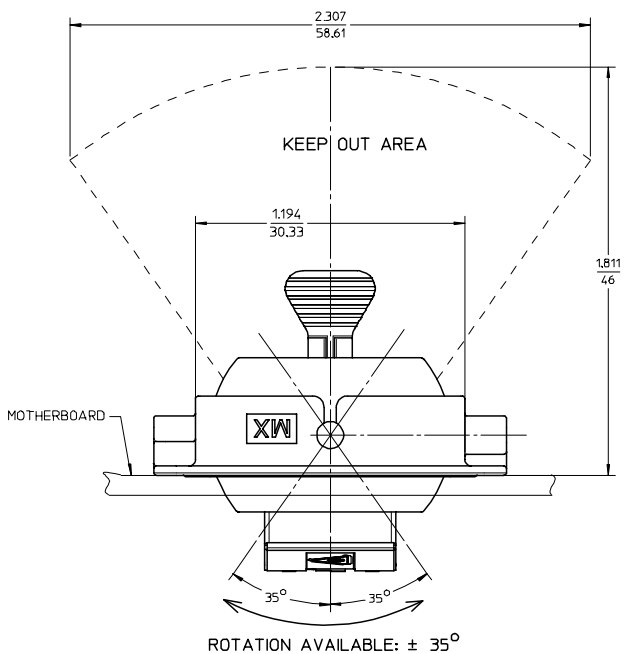
Contact us

Tel: +86-755-8981 8866 Fax: +86-755-8427 6832

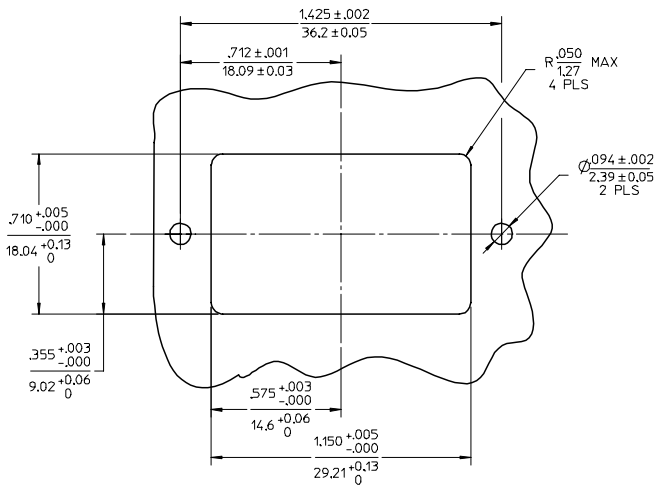
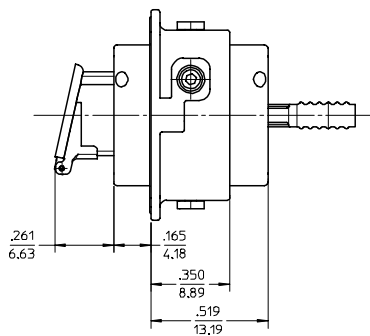
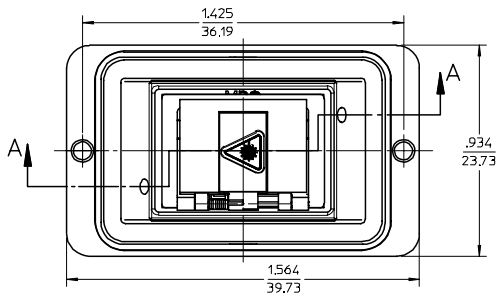
Email & Skype: info@chipsmall.com Web: www.chipsmall.com

Address: A1208, Overseas Decoration Building, #122 Zhenhua RD., Futian, Shenzhen, China



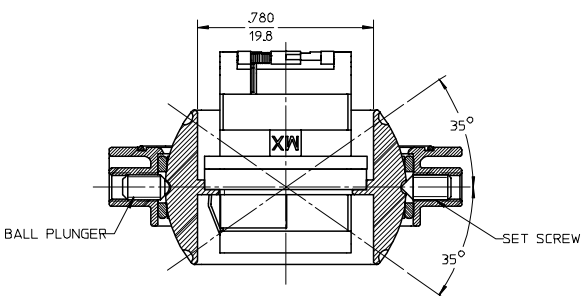


ISOMETRIC VIEWS
SCALE: 1.5:1



RECOMMENDED MOUNTING PATTERN

- NOTES:
1. ALL DIMENSIONS ARE FOR REFERENCE ONLY.
 2. USE SET SCREW TO FIX MPO ADAPTER IN THE REQUIRED POSITION: -35°, 0° OR +35°.
 3. SWIVEL ADAPTER IS ALSO AVAILABLE AS LC, MU AND SC VERSIONS.



SECTION A-A
SCALE 2.5:1
ADAPTER DUST CAP NOT SHOWN

ENTER DESCRIPTION FC NO: MF2006-0389 DRAWN: PGIBLIN CHKD: 2005/12/14 APPR: LGUMIN 2005/12/14	QUALITY SYMBOLS ▽=0 ▽=0	GENERAL TOLERANCES (UNLESS SPECIFIED)		DIMENSION STYLE		SCALE	DESIGN UNITS	THIRD ANGLE PROJECTION			
				IN/MM		2:1	INCH				
		4 PLACES ± --- ± --- 3 PLACES ± --- ± --- 2 PLACES ± --- ± --- 1 PLACE ± --- ± ---		DRAWN BY DATE PGIBLIN 2005/12/06		CHECKED BY DATE		TITLE MPO EMI SWIVEL ADAPTER BALL PLUNGER/SET SCREW VERSION			
		ANGULAR ±1/2°		APPROVED BY DATE		MATERIAL NO.		DOCUMENT NO.		SHEET NO.	
DRAFT WHERE APPLICABLE MUST REMAIN WITHIN DIMENSIONS		SIZE C		1061149500		SD-106114-9500		1 OF 1			
THIS DRAFTING CONTAINS INFORMATION THAT IS PROPRIETARY TO MOLEX INCORPORATED AND SHOULD NOT BE USED WITHOUT WRITTEN PERMISSION											