



Chipsmall Limited consists of a professional team with an average of over 10 year of expertise in the distribution of electronic components. Based in Hongkong, we have already established firm and mutual-benefit business relationships with customers from,Europe,America and south Asia,supplying obsolete and hard-to-find components to meet their specific needs.

With the principle of “Quality Parts,Customers Priority,Honest Operation,and Considerate Service”,our business mainly focus on the distribution of electronic components. Line cards we deal with include Microchip,ALPS,ROHM,Xilinx,Pulse,ON,Everlight and Freescale. Main products comprise IC,Modules,Potentiometer,IC Socket,Relay,Connector.Our parts cover such applications as commercial,industrial, and automotives areas.

We are looking forward to setting up business relationship with you and hope to provide you with the best service and solution. Let us make a better world for our industry!



## Contact us

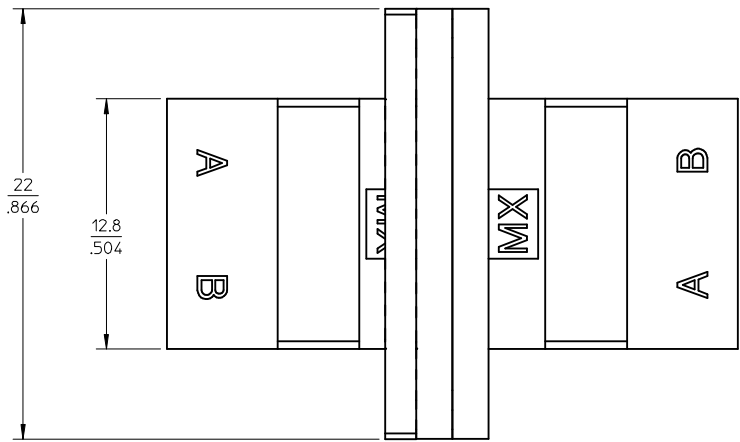
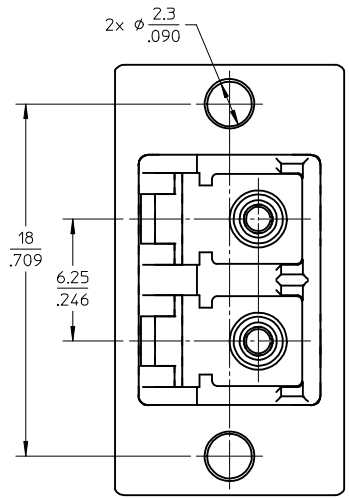
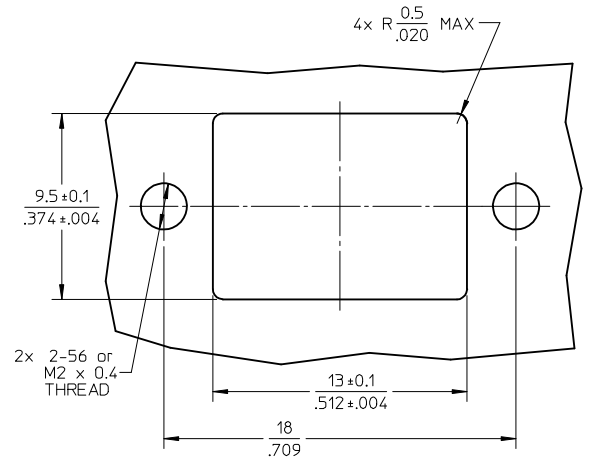
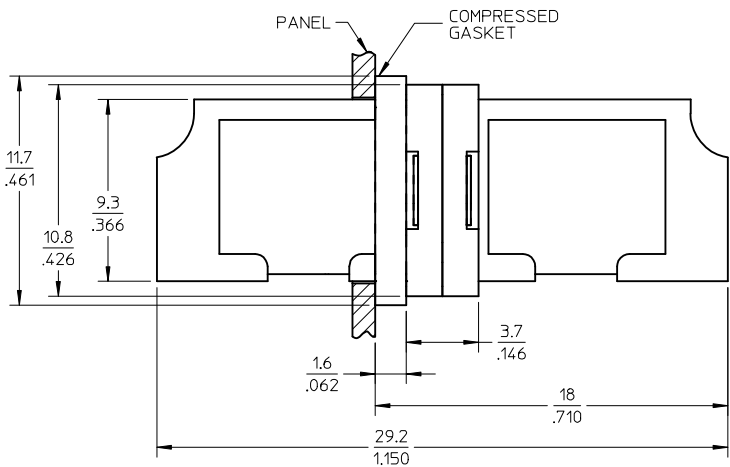
Tel: +86-755-8981 8866 Fax: +86-755-8427 6832

Email & Skype: info@chipsmall.com Web: www.chipsmall.com

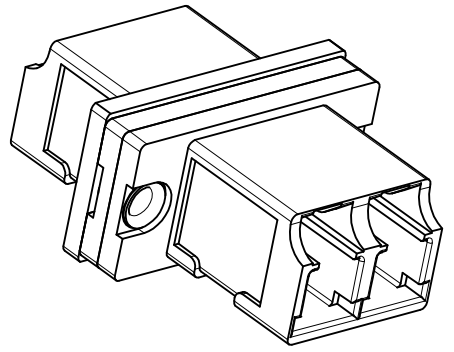
Address: A1208, Overseas Decoration Building, #122 Zhenhua RD., Futian, Shenzhen, China



10	9	8	7	6	5	4	3	2	1
ADAPTER P/N	SPLIT SLEEVE MATERIAL								
106115-1100	Zr								
106115-1106	Ph. Bronze								



RECOMMENDED MOUNTING PATTERN



NOTES:

1. ALL DIMENSIONS ARE FOR REFERENCE ONLY.
2. CONDUCTIVE SILICONE GASKET WITH Ni/C FILLER IS SUPPLIED WITH PART.
3. PART IS DIECAST.
4. SPLIT SLEEVE MATERIAL: SEE TABLE.
5. DUST CAPS NOT SHOWN.
6. ADAPTERS TO BE PACKAGED IN TRAY.
7. ADAPTER IS RoHS COMPLIANT.

<b>ENTER DESCRIPTION</b> EC NO: MF2009-0641 DRW:MKPEVZNER 2009/06/03 CHKD: 2009/06/03 APPR: LGUMIN 2009/06/05 B	DESCRIPTION REV	QUALITY SYMBOLS ▽=0 ▽=0	GENERAL TOLERANCES (UNLESS SPECIFIED)		DIMENSION STYLE IN/MM		SCALE 1:1	DESIGN UNITS INCH	THIRD ANGLE PROJECTION
		4 PLACES ±--- ±--- 3 PLACES ±--- ±--- 2 PLACES ±--- ±--- 1 PLACE ±--- ±---	mm INCH	DRAWN BY DATE PGIBLIN 2005/12/08	TITLE LC-D EMI ADAPTER, (SCREW MOUNT)				
		ANGULAR ±1/2°		CHECKED BY DATE	MOLEX INCORPORATED				
		DRAFT WHERE APPLICABLE MUST REMAIN WITHIN DIMENSIONS		APPROVED BY DATE	MATERIAL NO. SEE TABLE SIZE B	DOCUMENT NO. SD-106115-110X	SHEET NO. 1 OF 01		