



Chipsmall Limited consists of a professional team with an average of over 10 year of expertise in the distribution of electronic components. Based in Hongkong, we have already established firm and mutual-benefit business relationships with customers from,Europe,America and south Asia,supplying obsolete and hard-to-find components to meet their specific needs.

With the principle of “Quality Parts,Customers Priority,Honest Operation,and Considerate Service”,our business mainly focus on the distribution of electronic components. Line cards we deal with include Microchip,ALPS,ROHM,Xilinx,Pulse,ON,Everlight and Freescale. Main products comprise IC,Modules,Potentiometer,IC Socket,Relay,Connector.Our parts cover such applications as commercial,industrial, and automotives areas.

We are looking forward to setting up business relationship with you and hope to provide you with the best service and solution. Let us make a better world for our industry!



## Contact us

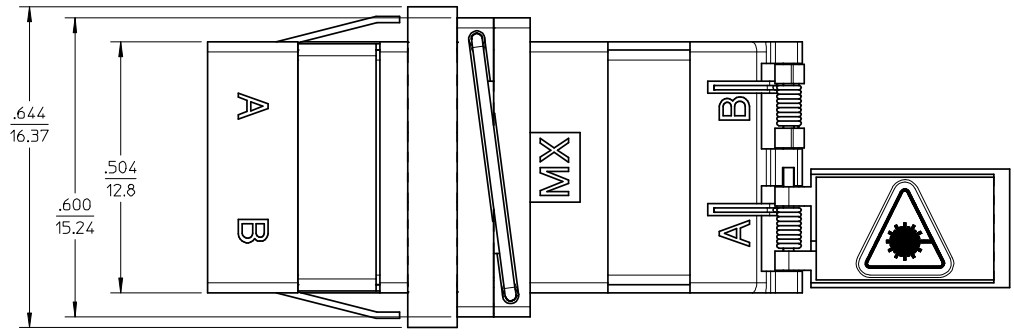
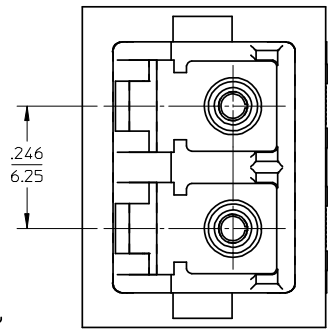
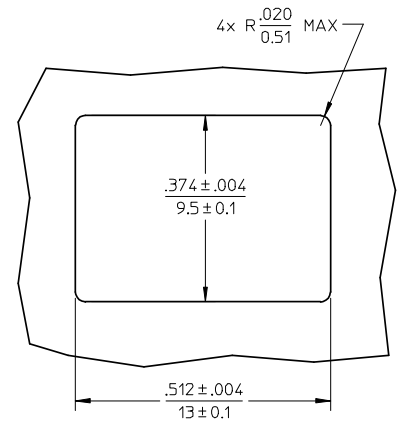
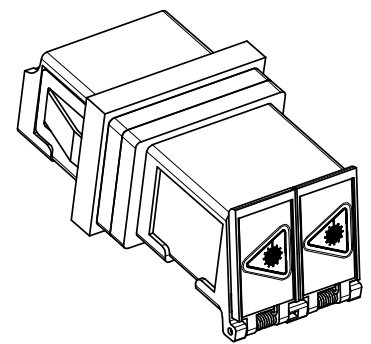
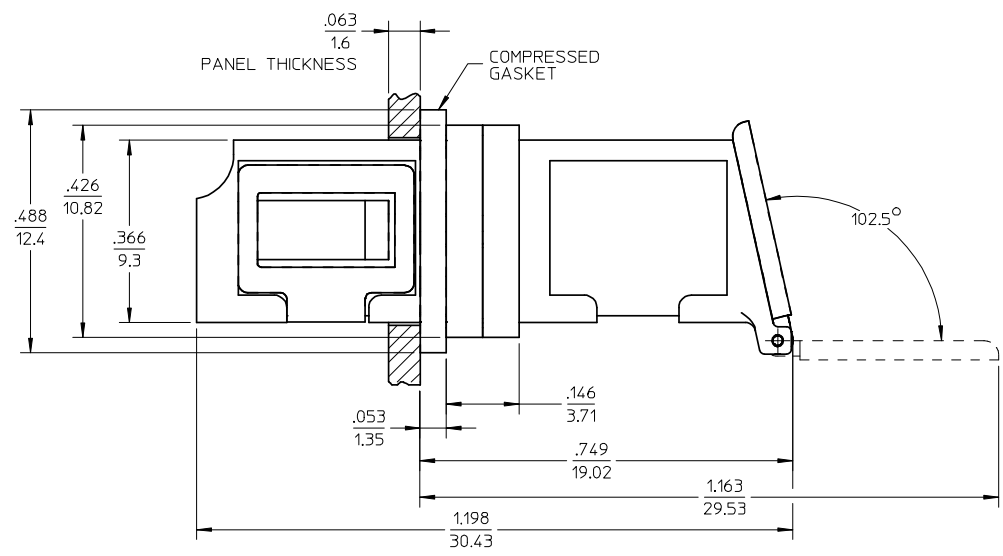
Tel: +86-755-8981 8866 Fax: +86-755-8427 6832

Email & Skype: info@chipsmall.com Web: www.chipsmall.com

Address: A1208, Overseas Decoration Building, #122 Zhenhua RD., Futian, Shenzhen, China



ADAPTER P/N	SPLIT SLEEVE MATERIAL	EMI GASKET MATERIAL
106115-2110	Zr	FABRIC OVER FOAM
106115-2116	Ph. Bronze	FABRIC OVER FOAM
106115-2117	Zr	SOLID



RECOMMENDED PANEL CUTOUT  
 PANEL THICKNESS - 1.6mm/.063"

- NOTES:
- ALL DIMENSIONS ARE FOR REFERENCE ONLY.
  - CONDUCTIVE FABRIC OVER FOAM GASKET IS SUPPLIED WITH PART.
  - PART IS DIECAST.
  - DUST CAPS NOT SHOWN.
  - ADAPTERS TO BE PACKAGED IN TRAY.

ENTER DESCRIPTION EC NO: MF2009-0058 DR: MINKPEVZNER CHKD: 2008/08/06 APPR: LGUMIN 2008/08/07 B3	QUALITY SYMBOLS ▽=0 ▽=0	GENERAL TOLERANCES (UNLESS SPECIFIED) mm INCH 4 PLACES ± --- ± --- 3 PLACES ± --- ± --- 2 PLACES ± --- ± --- 1 PLACE ± --- ± --- ANGULAR ±1/2°	DIMENSION STYLE IN/MM DRAWN BY PGIBLIN DATE 2005/12/09 CHECKED BY DATE APPROVED BY DATE	SCALE 4:1 DESIGN UNITS INCH THIRD ANGLE PROJECTION
	DRAFT WHERE APPLICABLE MUST REMAIN WITHIN DIMENSIONS			TITLE LC-D EMI ADAPTER, (SNAP MOUNT, W/SHUTTERS)
	MATERIAL NO. SEE TABLE		MOLEX INCORPORATED	
	SIZE B THIS DRAWING CONTAINS INFORMATION THAT IS PROPRIETARY TO MOLEX INCORPORATED AND SHOULD NOT BE USED WITHOUT WRITTEN PERMISSION		DOCUMENT NO. SD-106115-211X	SHEET NO. 1 OF 1