



Chipsmall Limited consists of a professional team with an average of over 10 year of expertise in the distribution of electronic components. Based in Hongkong, we have already established firm and mutual-benefit business relationships with customers from,Europe,America and south Asia,supplying obsolete and hard-to-find components to meet their specific needs.

With the principle of "Quality Parts,Customers Priority,Honest Operation,and Considerate Service",our business mainly focus on the distribution of electronic components. Line cards we deal with include Microchip,ALPS,ROHM,Xilinx,Pulse,ON,Everlight and Freescale. Main products comprise IC,Modules,Potentiometer,IC Socket,Relay,Connector.Our parts cover such applications as commercial,industrial, and automotives areas.

We are looking forward to setting up business relationship with you and hope to provide you with the best service and solution. Let us make a better world for our industry!



## Contact us

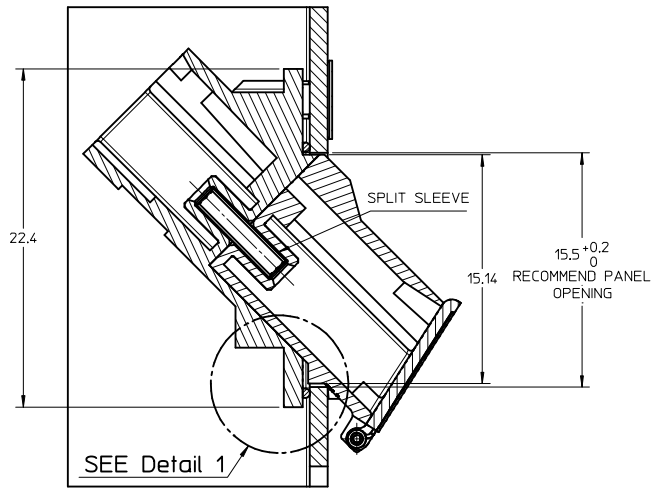
Tel: +86-755-8981 8866 Fax: +86-755-8427 6832

Email & Skype: info@chipsmall.com Web: www.chipsmall.com

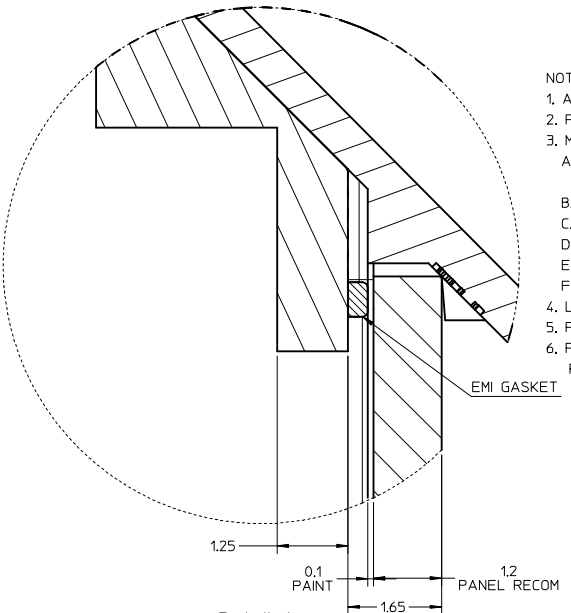
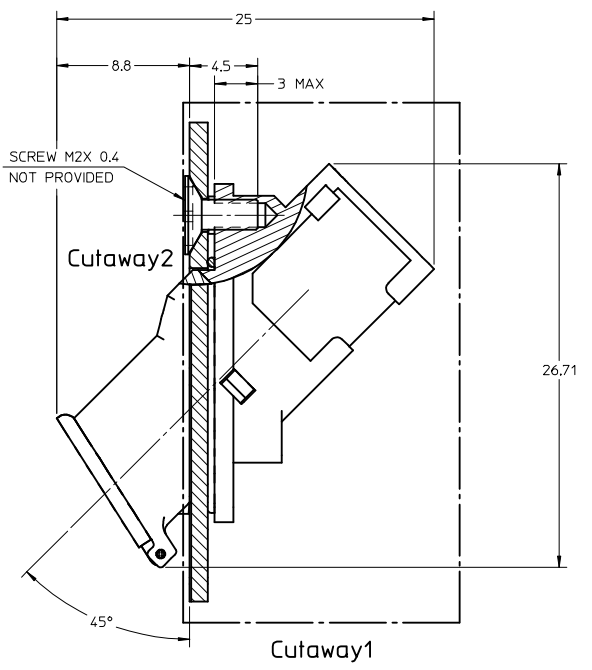
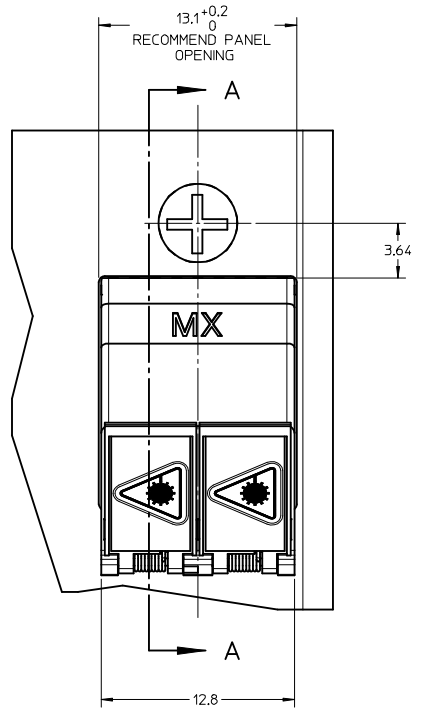
Address: A1208, Overseas Decoration Building, #122 Zhenhua RD., Futian, Shenzhen, China



ADAPTER P/N	PLASTIC RECEPTACLE COLOR	SPLIT SLEEVE MATERIAL	SHUTTER DOORS MATERIAL
106115-3200	BLUE	Zr	METAL
106115-3201	GREEN		
106115-3206	BLUE	Ph. Bronze	PLASTIC, COLOR - BLUE
106115-3205	BLUE	Zr	

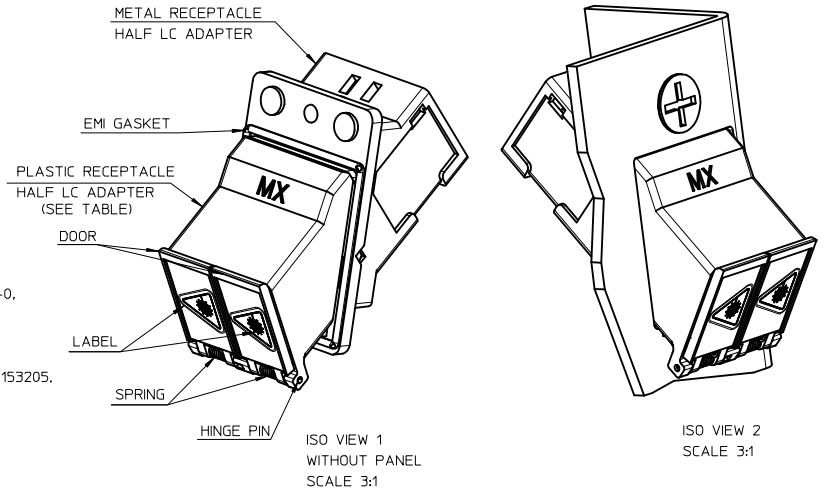


SECTION A-A



Detail 1  
SCALE 15:1

- NOTES:
- ALL DIMENSIONS ARE FOR REFERENCE ONLY.
  - PARTS SHOWN ASSEMBLED FOR CUSTOMER REFERENCE ONLY.
  - MATERIAL AND PLATING:
    - A. METAL RECEPTACLE HALF LC ADAPTER - ZINC DIE CAST PLATING - NICKEL,
    - B. PLASTIC RECEPTACLE HALF LC ADAPTER - POLYETHER IMIDE (PEI) UL94 V-0,
    - C. GASKET - SILICONE CONDUCTIVE ELASTOMER SNN 45.
    - D. SPLIT SLEEVE - ZIRCONIA,
    - E. LABEL - POLYESTER (UL 969)
    - F. ALL OTHER PARTS-METAL, EXCEPT PLASTIC SHUTTER DOORS FOR P/N 1061153205.
  - LC DUPLEX WASH CAP (DUST CAP) NOT SHOWN - TEO ELASTOMER UL94 V-0
  - PACKAGING: 25 ADAPTERS PER TRAY AND 4 TRAYS PER BOX.
  - PACKING TRAY AND SHIPPING CONTAINER ARE LABELED WITH PRODUCT REVISION.



ENTER DESCRIPTION EC NO: MF2015-0456 DRWN: GUMIN 2015/01/30 CHKD: APPR: GUMIN 2015/02/03 REV: B4	QUALITY SYMBOLS	GENERAL TOLERANCES (UNLESS SPECIFIED)	DIMENSION STYLE MM ONLY	SCALE 4:1	DESIGN UNITS METRIC	THIRD ANGLE PROJECTION
	▽=0	4 PLACES ± --- ± ---	mm INCH	DRAWN BY DATE RPACIFIC1 2006/01/31	LC ADAPTER (EMI) 45 DEG SCREW MOUNT	
	▽=0	3 PLACES ± --- ± ---		CHECKED BY DATE		
	▽=0	2 PLACES ± --- ± ---	ANGULAR ±1/2°		APPROVED BY DATE WCHEN 2010/08/30	<b>molex</b> DOCUMENT NO. SD-106115-3200 SHEET NO. 1 OF 1
▽=0	1 PLACE ± --- ± ---	DRAFT WHERE APPLICABLE MUST REMAIN WITHIN DIMENSIONS		MATERIAL NO. SEE TABLE		
		0 PLACE ± ±			THIS DRAWING CONTAINS INFORMATION THAT IS PROPRIETARY TO MOLEX INCORPORATED AND SHOULD NOT BE USED WITHOUT WRITTEN PERMISSION	