



Chipsmall Limited consists of a professional team with an average of over 10 year of expertise in the distribution of electronic components. Based in Hongkong, we have already established firm and mutual-benefit business relationships with customers from,Europe,America and south Asia,supplying obsolete and hard-to-find components to meet their specific needs.

With the principle of “Quality Parts,Customers Priority,Honest Operation,and Considerate Service”,our business mainly focus on the distribution of electronic components. Line cards we deal with include Microchip,ALPS,ROHM,Xilinx,Pulse,ON,Everlight and Freescale. Main products comprise IC,Modules,Potentiometer,IC Socket,Relay,Connector.Our parts cover such applications as commercial,industrial, and automotives areas.

We are looking forward to setting up business relationship with you and hope to provide you with the best service and solution. Let us make a better world for our industry!



## Contact us

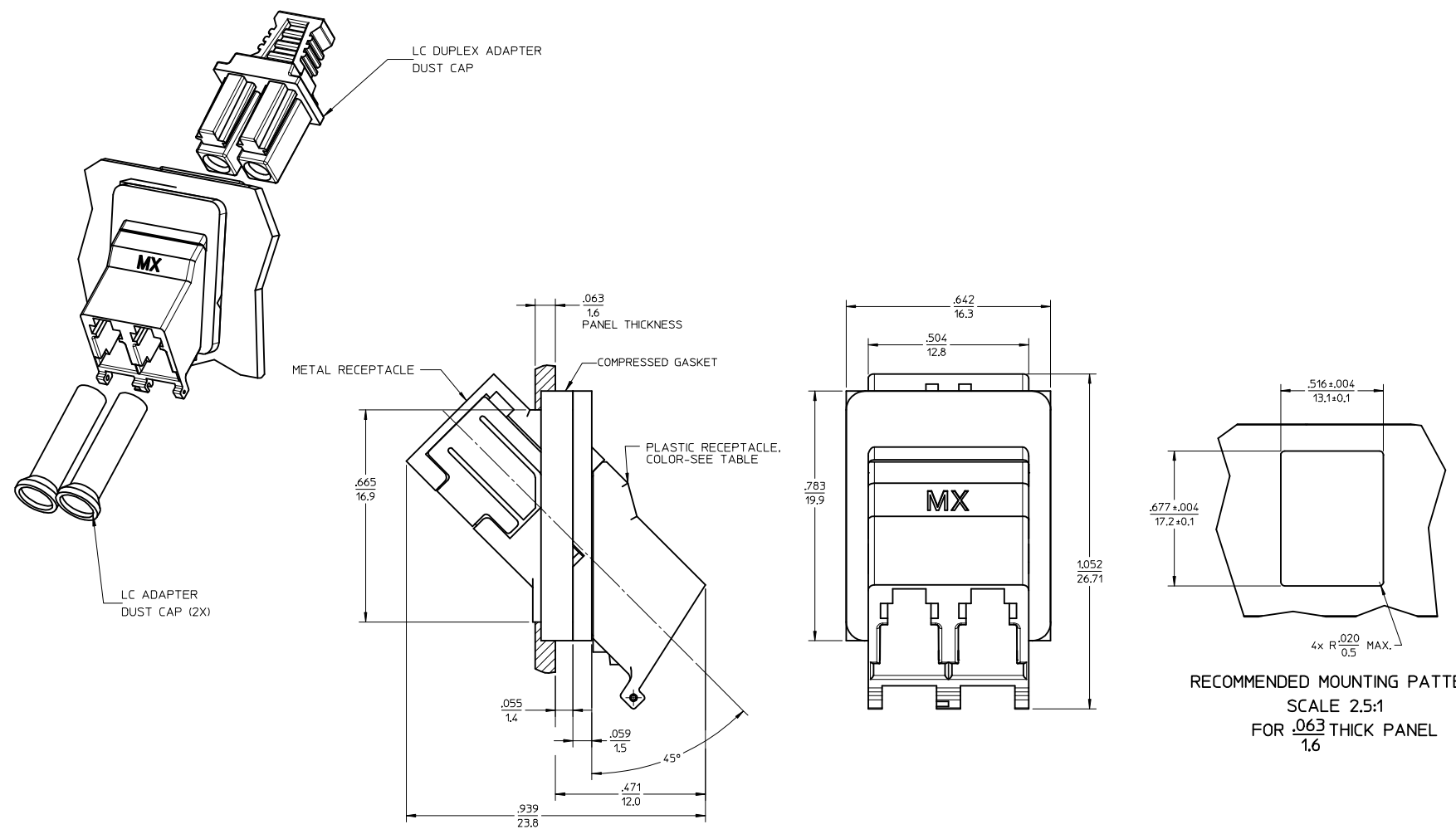
Tel: +86-755-8981 8866 Fax: +86-755-8427 6832

Email & Skype: info@chipsmall.com Web: www.chipsmall.com

Address: A1208, Overseas Decoration Building, #122 Zhenhua RD., Futian, Shenzhen, China



ADAPTER P/N	PLASTIC RECEPTACLE COLOR	SPLIT SLEEVE MATERIAL
106115-4150	BLUE	Zr
106115-4151	GREEN	Zr



RECOMMENDED MOUNTING PATTERN  
SCALE 2.5:1  
FOR .063 THICK PANEL  
1.6

- NOTES:
- DIMENSIONS SHOWN ARE FOR REFERENCE ONLY.
  - CONDUCTIVE FABRIC OVER FOAM GASKET (SHOWN COMPRESSED) IS SUPPLIED WITH THE PART.
  - PACKAGING: 25 ADAPTERS PER TRAY AND 4 TRAYS PER BOX.

<b>ENTER DESCRIPTION</b> EC NO: MF2015-0214 DRWN: MAGHAYERE 2014/10/13 CHKD: APPR: GUMIN 2014/11/11 REV:	QUALITY SYMBOLS	GENERAL TOLERANCES (UNLESS SPECIFIED)	DIMENSION STYLE	SCALE	DESIGN UNITS	THIRD ANGLE PROJECTION
	▽=0	mm INCH	IN/MM	4:1	INCH	
	▽=0	4 PLACES ± --- ± ---	DRAWN BY DATE	TITLE		
	▽=0	3 PLACES ± --- ± ---	L.SADAUSKAS 2006/12/18	LC-D EMI ADAPTER, 45 DEGREE (SNAP MOUNT) WITHOUT SHUTTER DOORS		
		2 PLACES ± --- ± ---	CHECKED BY DATE	<b>molex</b> DOCUMENT NO. SD-106115-4150 SHEET NO. 1 OF 1		
		1 PLACE ± --- ± ---	APPROVED BY DATE			
		0 PLACE ± --- ± ---	I.GUMIN 2006/12/27	MATERIAL NO. SEE TABLE		
		ANGULAR ±1/2°	DRAFT WHERE APPLICABLE MUST REMAIN WITHIN DIMENSIONS			
			THIS DRAWING CONTAINS INFORMATION THAT IS PROPRIETARY TO MOLEX INCORPORATED AND SHOULD NOT BE USED WITHOUT WRITTEN PERMISSION			