



Chipsmall Limited consists of a professional team with an average of over 10 year of expertise in the distribution of electronic components. Based in Hongkong, we have already established firm and mutual-benefit business relationships with customers from,Europe,America and south Asia,supplying obsolete and hard-to-find components to meet their specific needs.

With the principle of "Quality Parts,Customers Priority,Honest Operation,and Considerate Service",our business mainly focus on the distribution of electronic components. Line cards we deal with include Microchip,ALPS,ROHM,Xilinx,Pulse,ON,Everlight and Freescale. Main products comprise IC,Modules,Potentiometer,IC Socket,Relay,Connector.Our parts cover such applications as commercial,industrial, and automotives areas.

We are looking forward to setting up business relationship with you and hope to provide you with the best service and solution. Let us make a better world for our industry!



## Contact us

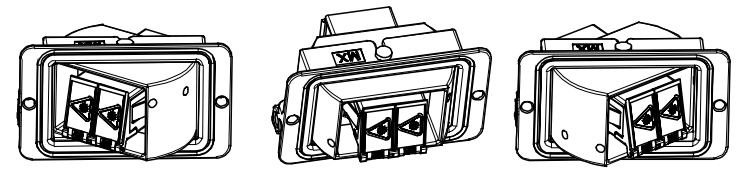
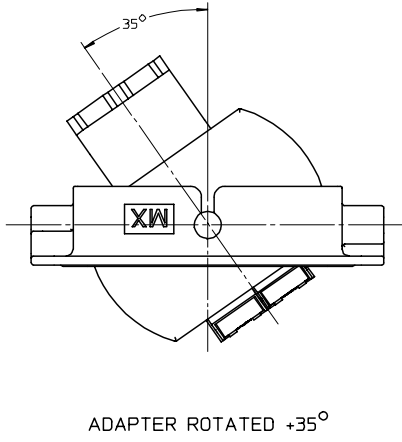
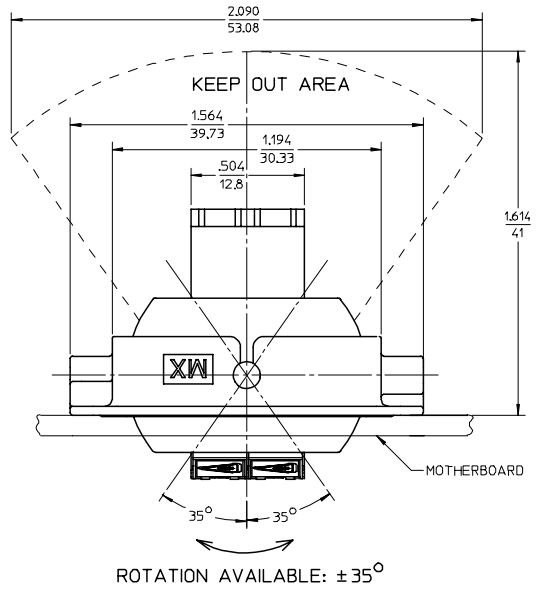
Tel: +86-755-8981 8866 Fax: +86-755-8427 6832

Email & Skype: info@chipsmall.com Web: www.chipsmall.com

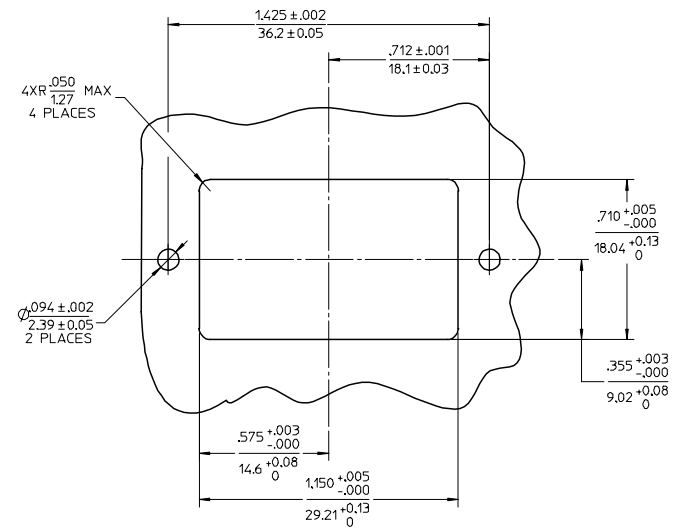
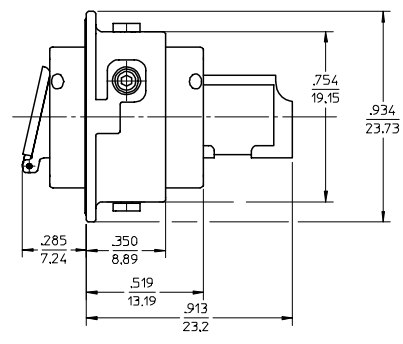
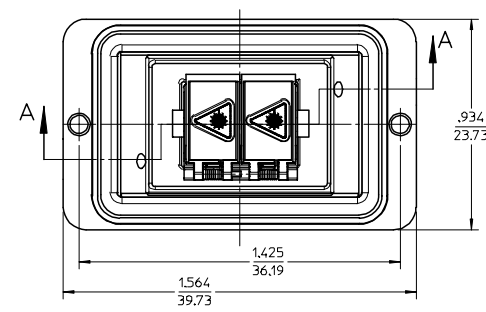
Address: A1208, Overseas Decoration Building, #122 Zhenhua RD., Futian, Shenzhen, China



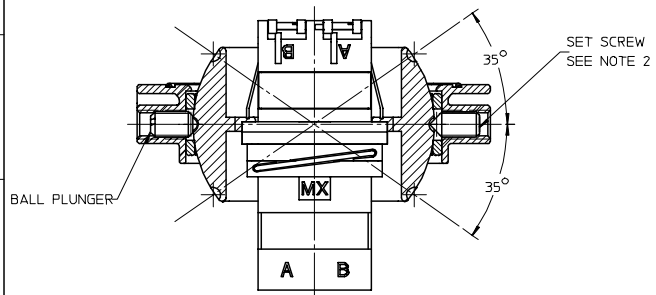
13 12 11 10 9 8 7 6 5 4 3 2 1



ISOMETRIC VIEWS  
SCALE: 1.5:1



RECOMMENDED MOUNTING PATTERN



- NOTES:
1. ALL DIMENSIONS ARE FOR REFERENCE ONLY.
  2. USE SET SCREW TO FIX LC ADAPTER IN THE REQUIRED POSITION: -35°, 0°, +35°.
  3. SWIVEL ADAPTER IS ALSO AVAILABLE AS SC, MU, AND MPO VERSIONS.

ENTER DESCRIPTION FCC NO: MF2006-0389 DRAWN: PGIBLIN 2005/12/14 CHKD: 2005/12/14 APPR: JGUMIN 2005/12/14 REVISIONS A	QUALITY SYMBOLS ▽=0 ▽=0	GENERAL TOLERANCES (UNLESS SPECIFIED) mm INCH 4 PLACES ± --- ± --- 3 PLACES ± --- ± --- 2 PLACES ± --- ± --- 1 PLACE ± --- ± --- ANGULAR ±1/2°	DIMENSION STYLE INCH ONLY DRAWN BY PGIBLIN DATE 2005/12/02 CHECKED BY DATE APPROVED BY DATE	SCALE 1:1 DESIGN UNITS INCH THIRD ANGLE PROJECTION	TITLE LC EMI SWIVEL ADAPTER BALL PLUNGER/SET SCREW VERSION
	DRAFT WHERE APPLICABLE MUST REMAIN WITHIN DIMENSIONS		MATERIAL NO. 1061159500 SIZE C	DOCUMENT NO. SD-106115-9500 SHEET NO. 1 OF 1	MOLEX INCORPORATED
	THIS DRAWING CONTAINS INFORMATION THAT IS PROPRIETARY TO MOLEX INCORPORATED AND SHOULD NOT BE USED WITHOUT WRITTEN PERMISSION				
	A				

12 11 10 9 8 7 6 5 4 3 2 1