



Chipsmall Limited consists of a professional team with an average of over 10 year of expertise in the distribution of electronic components. Based in Hongkong, we have already established firm and mutual-benefit business relationships with customers from,Europe,America and south Asia,supplying obsolete and hard-to-find components to meet their specific needs.

With the principle of “Quality Parts,Customers Priority,Honest Operation,and Considerate Service”,our business mainly focus on the distribution of electronic components. Line cards we deal with include Microchip,ALPS,ROHM,Xilinx,Pulse,ON,Everlight and Freescale. Main products comprise IC,Modules,Potentiometer,IC Socket,Relay,Connector.Our parts cover such applications as commercial,industrial, and automotives areas.

We are looking forward to setting up business relationship with you and hope to provide you with the best service and solution. Let us make a better world for our industry!



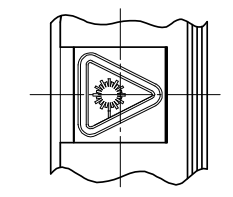
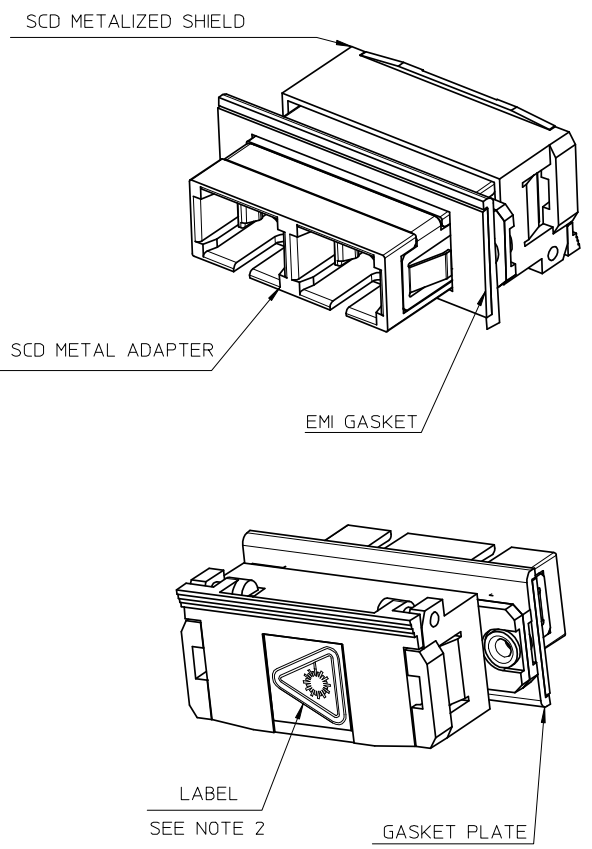
## Contact us

Tel: +86-755-8981 8866 Fax: +86-755-8427 6832

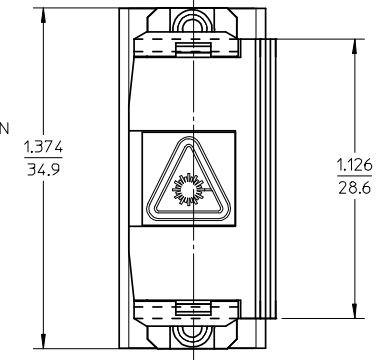
Email & Skype: info@chipsmall.com Web: www.chipsmall.com

Address: A1208, Overseas Decoration Building, #122 Zhenhua RD., Futian, Shenzhen, China

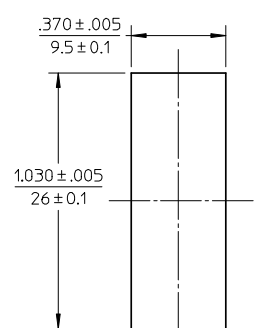




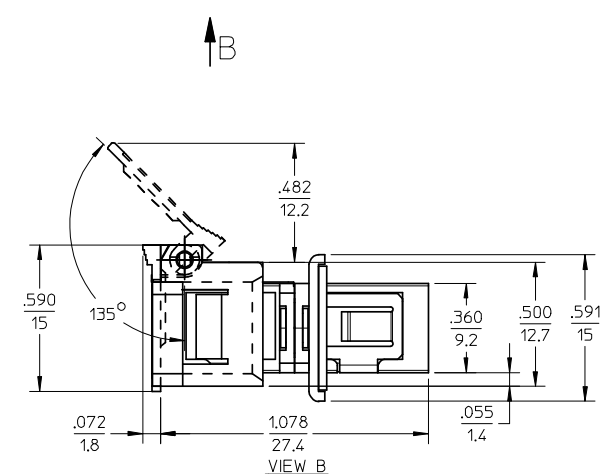
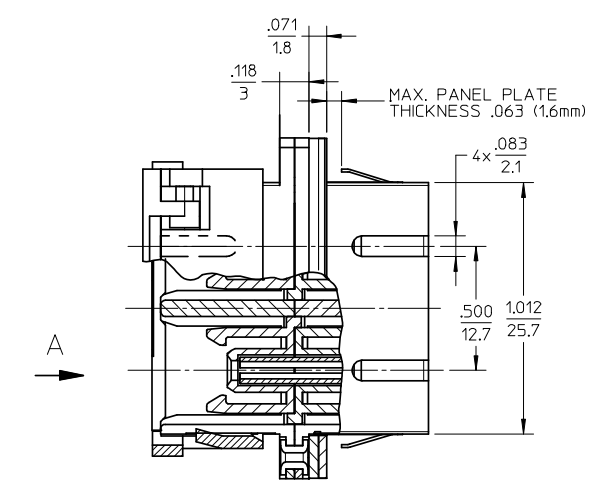
VIEW A  
VARIATION 1  
FOR LABEL INSTALLATION



VIEW A  
VARIATION 2  
FOR LABEL INSTALLATION



RECOMMENDED  
MOUNTING CUTOUT



- NOTES:
1. ALL DIMENSIONS ARE FOR REFERENCE ONLY.
  2. LABEL MUST BE INSTALLED AND ORIENTED BY CUSTOMER.
  3. DUST CAPS ARE NOT SHOWN BUT INCLUDED.
  4. SCD METAL ADAPTER CONTAINS ZIRCONIA CERAMIC ALIGNMENT SLEEVES.
  5. SCD EMI ADAPTER MEETS APPLICABLE EIA/TIA STANDARDS.

ENTER DESCRIPTION EC NO: MF2008-0363 DRWN: JSZEWZYK 2008/02/29 CHKD: 2008/02/29 APPR: IGUMIN 2008/02/29 REV B	QUALITY SYMBOLS ▽=0 ▽=0	GENERAL TOLERANCES (UNLESS SPECIFIED) mm INCH 4 PLACES ± --- ± --- 3 PLACES ± --- ± --- 2 PLACES ± --- ± --- 1 PLACE ± --- ± --- ANGULAR ±1/2°	DIMENSION STYLE IN/MM DRAWN BY DATE PGIBLIN 2005/10/28 CHECKED BY DATE APPROVED BY DATE	SCALE 2:1 DESIGN UNITS INCH	THIRD ANGLE PROJECTION	
	TITLE <b>SCD EMI ADAPTER W/SHILED</b>					
	DRAFT WHERE APPLICABLE MUST REMAIN WITHIN DIMENSIONS			MATERIAL NO. <b>1061161000</b>	DOCUMENT NO. <b>SD-106116-1000</b>	SHEET NO. 1 OF 1
	Molex MOLEX INCORPORATED THIS DRAWING CONTAINS INFORMATION THAT IS PROPRIETARY TO MOLEX INCORPORATED AND SHOULD NOT BE USED WITHOUT WRITTEN PERMISSION					