



Chipsmall Limited consists of a professional team with an average of over 10 year of expertise in the distribution of electronic components. Based in Hongkong, we have already established firm and mutual-benefit business relationships with customers from,Europe,America and south Asia,supplying obsolete and hard-to-find components to meet their specific needs.

With the principle of “Quality Parts,Customers Priority,Honest Operation,and Considerate Service”,our business mainly focus on the distribution of electronic components. Line cards we deal with include Microchip,ALPS,ROHM,Xilinx,Pulse,ON,Everlight and Freescale. Main products comprise IC,Modules,Potentiometer,IC Socket,Relay,Connector.Our parts cover such applications as commercial,industrial, and automotives areas.

We are looking forward to setting up business relationship with you and hope to provide you with the best service and solution. Let us make a better world for our industry!



Contact us

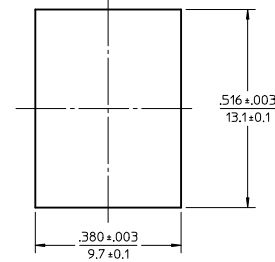
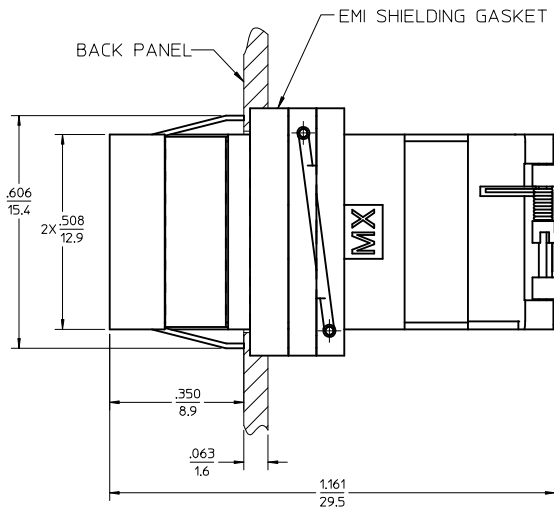
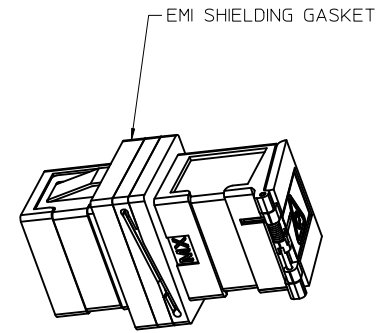
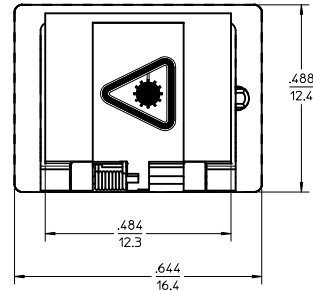
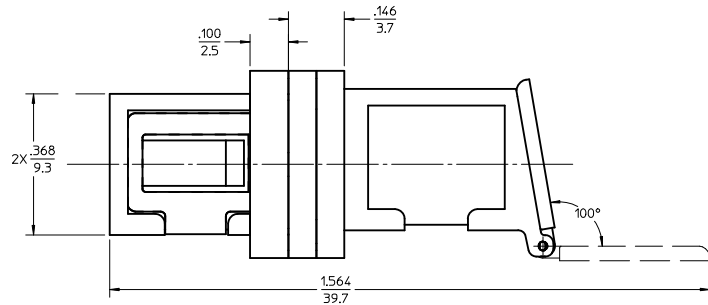
Tel: +86-755-8981 8866 Fax: +86-755-8427 6832

Email & Skype: info@chipsmall.com Web: www.chipsmall.com

Address: A1208, Overseas Decoration Building, #122 Zhenhua RD., Futian, Shenzhen, China



SC ADAPTER ASSY. P/N	SPLIT SLEEVE MATERIAL
106116-2000	Zr
106116-2200	Ph. Bronze



RECOMMENDED MOUNTING CUTOUT
FOR .063" THICK PANEL

NOTES:

1. ALL DIMENSIONS ARE FOR REFERENCE ONLY.
2. DUST CAP IS NOT SHOWN, BUT INCLUDED.
3. ADAPTERS TO BE PACKAGED IN TRAY.

EC NO: MF2012-0250 DRAWING NO: 2011/11/08 CHKD: IGUMIN APPR: IGUMIN REV: A3	QUALITY SYMBOLS ▼=0 ∇=0	GENERAL TOLERANCES (UNLESS SPECIFIED)	DIMENSION STYLE IN/MM	SCALE 4:1	DESIGN UNITS INCH	THIRD ANGLE PROJECTION															
		<table border="1"> <tr> <th></th> <th>mm</th> <th>INCH</th> </tr> <tr> <td>4 PLACES</td> <td>± ---</td> <td>±.0002</td> </tr> <tr> <td>3 PLACES</td> <td>± 0.005</td> <td>±.005</td> </tr> <tr> <td>2 PLACES</td> <td>± 0.13</td> <td>±.01</td> </tr> <tr> <td>1 PLACE</td> <td>± 0.25</td> <td>± ---</td> </tr> </table>		mm	INCH	4 PLACES	± ---	±.0002	3 PLACES	± 0.005	±.005	2 PLACES	± 0.13	±.01	1 PLACE	± 0.25	± ---	DRAWN BY RPACIFIC1	DATE 2005/10/18	TITLE SC METAL ADAPTER	
		mm	INCH																		
	4 PLACES	± ---	±.0002																		
3 PLACES	± 0.005	±.005																			
2 PLACES	± 0.13	±.01																			
1 PLACE	± 0.25	± ---																			
	ANGULAR ±1/2°	APPROVED BY IGUMIN	DATE 2011/11/22	MOLEX INCORPORATED																	
	DRAFT WHERE APPLICABLE MUST REMAIN WITHIN DIMENSIONS	MATERIAL NO. SEE TABLE	DOCUMENT NO. SD-106116-2000	SHEET NO. 1 OF 1																	