



Chipsmall Limited consists of a professional team with an average of over 10 year of expertise in the distribution of electronic components. Based in Hongkong, we have already established firm and mutual-benefit business relationships with customers from,Europe,America and south Asia,supplying obsolete and hard-to-find components to meet their specific needs.

With the principle of “Quality Parts,Customers Priority,Honest Operation,and Considerate Service”,our business mainly focus on the distribution of electronic components. Line cards we deal with include Microchip,ALPS,ROHM,Xilinx,Pulse,ON,Everlight and Freescale. Main products comprise IC,Modules,Potentiometer,IC Socket,Relay,Connector.Our parts cover such applications as commercial,industrial, and automotives areas.

We are looking forward to setting up business relationship with you and hope to provide you with the best service and solution. Let us make a better world for our industry!



Contact us

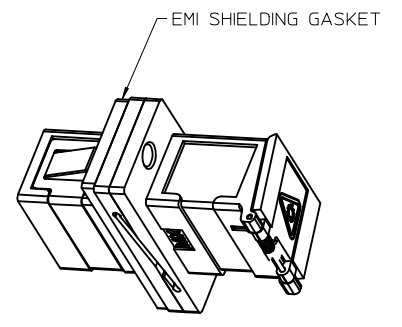
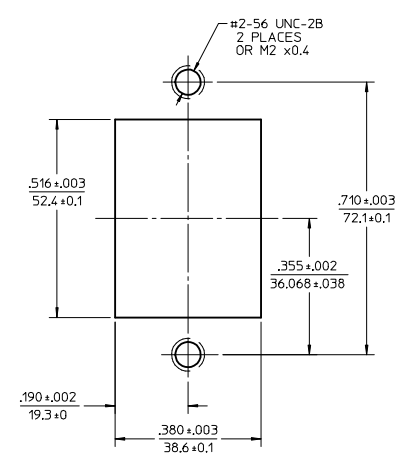
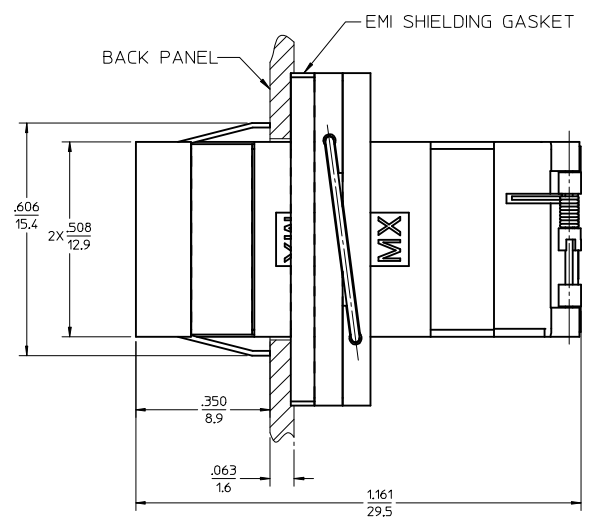
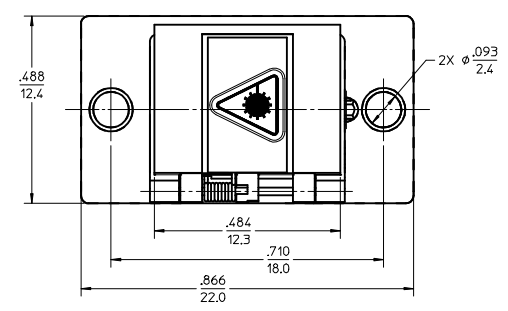
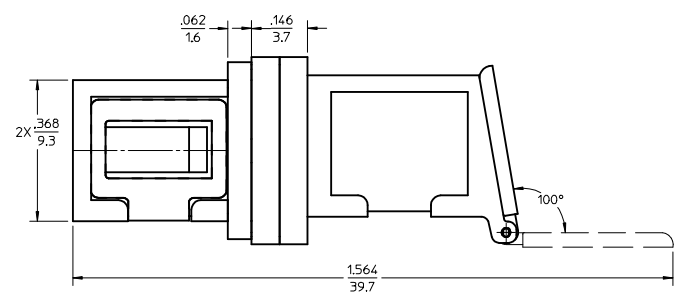
Tel: +86-755-8981 8866 Fax: +86-755-8427 6832

Email & Skype: info@chipsmall.com Web: www.chipsmall.com

Address: A1208, Overseas Decoration Building, #122 Zhenhua RD., Futian, Shenzhen, China



SC ADAPTER ASSY. P/N	SPLIT SLEEVE MATERIAL
106116-2100	Zr
106116-2400	Ph. Bronze



RECOMMENDED MOUNTING CUTOUT FOR .063" THICK PANEL

- NOTES:
- ALL DIMENSIONS ARE FOR REFERENCE ONLY.
 - ADAPTERS TO BE PACKAGED IN TRAY.

ENTER DESCRIPTION EC NO: MF2013-0137 DRWN: YBEDNYAK 2012/09/10 CHKD: LGUMIN 2012/09/19 APPR: LGUMIN	QUALITY SYMBOLS	GENERAL TOLERANCES (UNLESS SPECIFIED)	DIMENSION STYLE	SCALE	DESIGN UNITS	THIRD ANGLE PROJECTION
	▽=0	mm INCH	IN/MM	4:1	INCH	
	▽=0	4 PLACES ± --- ±.0002	DRAWN BY DATE	PG IBL IN	2005/10/31	TITLE
	▽=0	3 PLACES ± 0.005 ±.005	CHECKED BY DATE	SC METAL ADAPTER W/FLANG (SCREW MOUNTING)		
		2 PLACES ± 0.13 ±.01	APPROVED BY DATE			
		1 PLACE ± 0.25 ± ---				
		0 PLACE ± ±	MATERIAL NO.	DOCUMENT NO.	SHEET NO.	
		ANGULAR ±1/2°	SEE TABLE	SD-106116-2100	1 OF 1	
		DRAFT WHERE APPLICABLE MUST REMAIN WITHIN DIMENSIONS	SIZE	THIS DRAWING CONTAINS INFORMATION THAT IS PROPRIETARY TO MOLEX INCORPORATED AND SHOULD NOT BE USED WITHOUT WRITTEN PERMISSION		