



Chipsmall Limited consists of a professional team with an average of over 10 year of expertise in the distribution of electronic components. Based in Hongkong, we have already established firm and mutual-benefit business relationships with customers from,Europe,America and south Asia,supplying obsolete and hard-to-find components to meet their specific needs.

With the principle of "Quality Parts,Customers Priority,Honest Operation,and Considerate Service",our business mainly focus on the distribution of electronic components. Line cards we deal with include Microchip,ALPS,ROHM,Xilinx,Pulse,ON,Everlight and Freescale. Main products comprise IC,Modules,Potentiometer,IC Socket,Relay,Connector.Our parts cover such applications as commercial,industrial, and automotives areas.

We are looking forward to setting up business relationship with you and hope to provide you with the best service and solution. Let us make a better world for our industry!



## Contact us

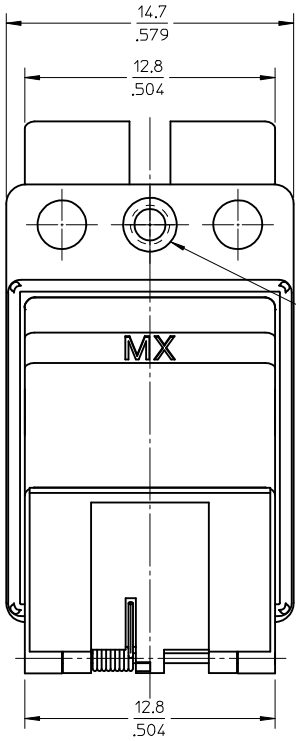
Tel: +86-755-8981 8866 Fax: +86-755-8427 6832

Email & Skype: info@chipsmall.com Web: www.chipsmall.com

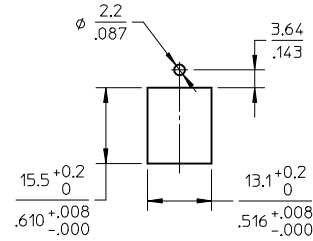
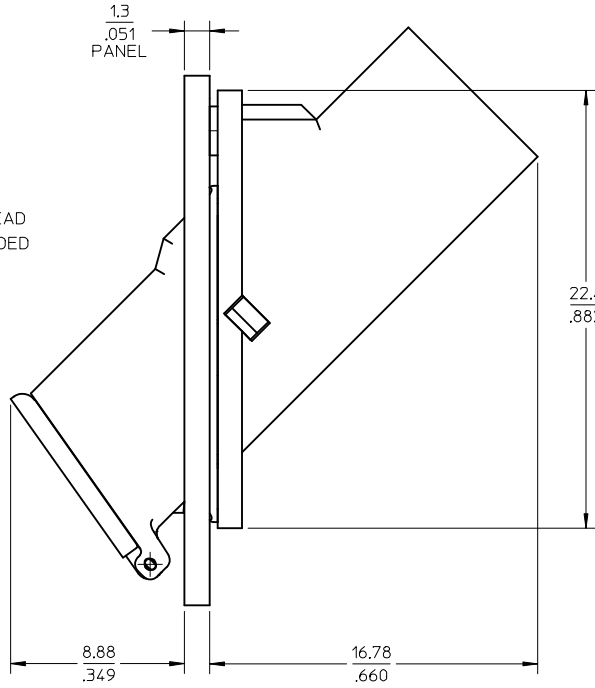
Address: A1208, Overseas Decoration Building, #122 Zhenhua RD., Futian, Shenzhen, China



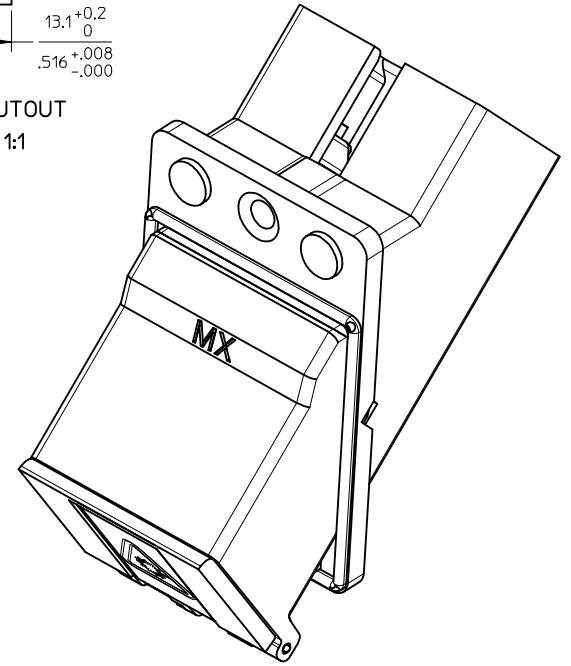
10	9	8
ADAPTER P/N	ADAPTER TYPE	HOUSING COLOR
1061164500	SINGLE MODE	BLUE
1061164510	MULTIMODE	BEIGE
1061164520	APC	GREEN



M2x0.4  
4mm LONG FLATHEAD  
SCREW RECOMMENDED



PANEL CUTOUT  
SCALE 1:1



NOTE:  
ALL ADAPTER DIMENSIONS ARE FOR REFERENCE ONLY

<b>ENTER DESCRIPTION</b> EC NO: MF2009-0065 DRAWN BY: DRINKPEVZNER 2008/08/11 CHKD: IAPPR: IGUMIN 2013/05/03 REV: A4	QUALITY SYMBOLS ▽=0 ▽7=0	GENERAL TOLERANCES (UNLESS SPECIFIED) mm INCH 4 PLACES ± --- ± --- 3 PLACES ± --- ± --- 2 PLACES ± --- ± --- 1 PLACE ± --- ± --- ANGULAR ± 1 °	DIMENSION STYLE MM/IN DRAWN BY: SERNST DATE: 2006/06/23 CHECKED BY: DSZILAGYI DATE: 2006/07/12 APPROVED BY: SMIGO DATE: 2006/07/12	SCALE: 4:1 DESIGN UNITS: METRIC THIRD ANGLE PROJECTION	TITLE: SC 45 DEGREE EMI ADAPTER SCREW MOUNT VERSION MOLEX INCORPORATED DOCUMENT NO. SD-106116-4500 SHEET NO. 1 OF 1	
	DRAFT WHERE APPLICABLE MUST REMAIN WITHIN DIMENSIONS		MATERIAL NO. SEE TABLE	THIS DRAWING CONTAINS INFORMATION THAT IS PROPRIETARY TO MOLEX INCORPORATED AND SHOULD NOT BE USED WITHOUT WRITTEN PERMISSION		