



Chipsmall Limited consists of a professional team with an average of over 10 year of expertise in the distribution of electronic components. Based in Hongkong, we have already established firm and mutual-benefit business relationships with customers from,Europe,America and south Asia,supplying obsolete and hard-to-find components to meet their specific needs.

With the principle of "Quality Parts,Customers Priority,Honest Operation,and Considerate Service",our business mainly focus on the distribution of electronic components. Line cards we deal with include Microchip,ALPS,ROHM,Xilinx,Pulse,ON,Everlight and Freescale. Main products comprise IC,Modules,Potentiometer,IC Socket,Relay,Connector.Our parts cover such applications as commercial,industrial, and automotives areas.

We are looking forward to setting up business relationship with you and hope to provide you with the best service and solution. Let us make a better world for our industry!



## Contact us

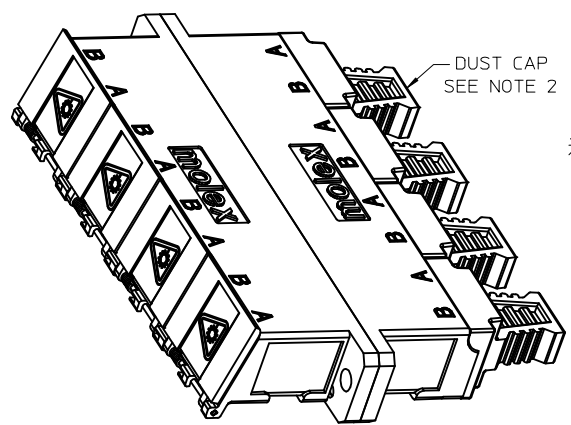
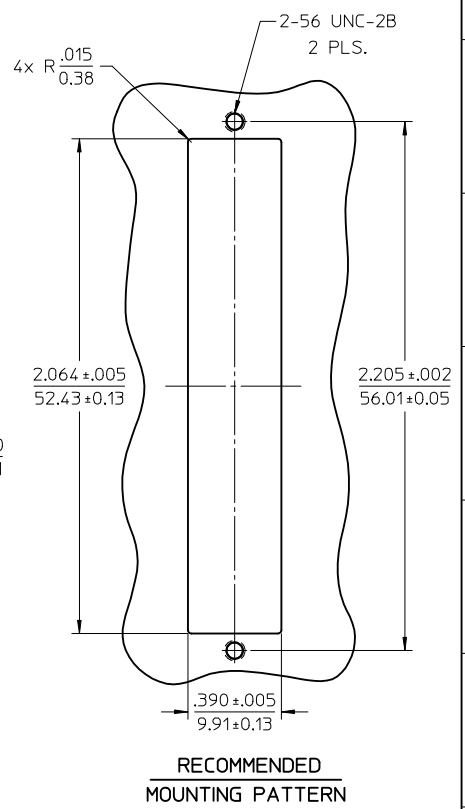
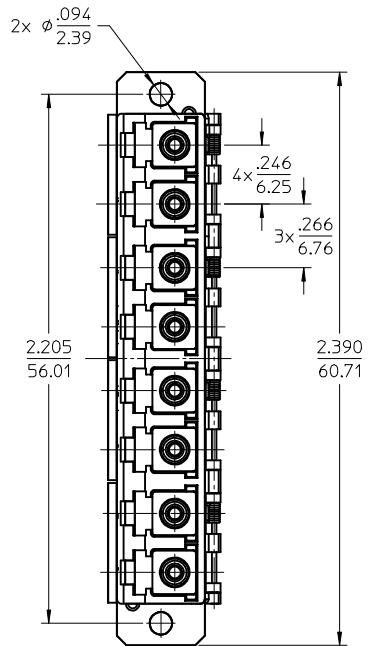
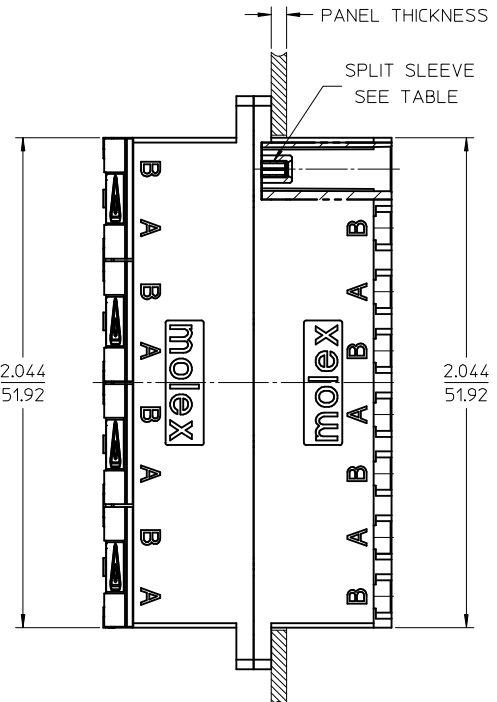
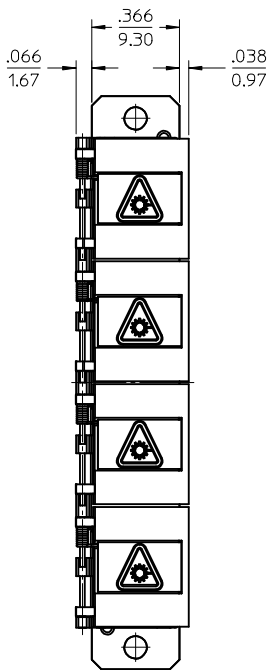
Tel: +86-755-8981 8866 Fax: +86-755-8427 6832

Email & Skype: info@chipsmall.com Web: www.chipsmall.com

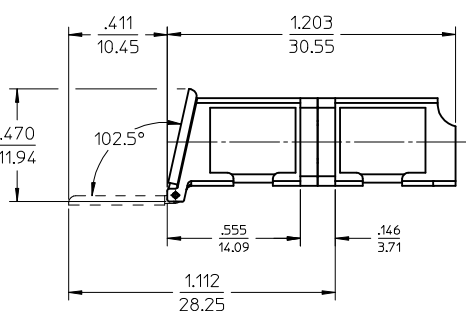
Address: A1208, Overseas Decoration Building, #122 Zhenhua RD., Futian, Shenzhen, China



LC 8 PORT ADAPTER P/N	LC 8 PORT ADAPTER COLOR	SPLIT SLEEVE MATERIAL
106121-0100	BLUE	CERAMIC
106121-0101	GREEN	
106121-0102	BEIGE	PHOSPHOR BRONZE
106121-0103	AQUA	



ISO VIEW



NOTES:  
 1. ALL DIMENSIONS ARE FOR REFERENCE.  
 2. DUST CAPS SHOWN IN ISO VIEW ONLY.

ENTER DESCRIPTION EC NO: MF2015-0403 DRWNSDXIE 2015/06/11 CHKD: APPR:WCHEN 2015/09/25	QUALITY SYMBOLS ▽=0 ▽=0 ▽=0	GENERAL TOLERANCES (UNLESS SPECIFIED)		DIMENSION STYLE IN/MM		SCALE 2.5:1	DESIGN UNITS INCH	THIRD ANGLE PROJECTION	
		4 PLACES ± ---	± ---	DRAWN BY YBELENKIY	DATE 2011/08/18	TITLE LC 8 PORT ADAPTER SCREW MOUNT W/SHUTTERS			
REV B	DESCRIPTION	3 PLACES ± ---	± ---	CHECKED BY	DATE				
		2 PLACES ± ---	± ---	APPROVED BY WCHEN	DATE 2012/02/06				
		1 PLACE ± ---	± ---	MATERIAL NO.		DOCUMENT NO.		SHEET NO.	
		0 PLACE ±	±	SEE TABLE		SD-106121-0100		1 OF 1	
		ANGULAR ± --- °		THIS DRAWING CONTAINS INFORMATION THAT IS PROPRIETARY TO MOLEX INCORPORATED AND SHOULD NOT BE USED WITHOUT WRITTEN PERMISSION					
		DRAFT WHERE APPLICABLE MUST REMAIN WITHIN DIMENSIONS							