



Chipsmall Limited consists of a professional team with an average of over 10 year of expertise in the distribution of electronic components. Based in Hongkong, we have already established firm and mutual-benefit business relationships with customers from,Europe,America and south Asia,supplying obsolete and hard-to-find components to meet their specific needs.

With the principle of “Quality Parts,Customers Priority,Honest Operation,and Considerate Service”,our business mainly focus on the distribution of electronic components. Line cards we deal with include Microchip,ALPS,ROHM,Xilinx,Pulse,ON,Everlight and Freescale. Main products comprise IC,Modules,Potentiometer,IC Socket,Relay,Connector.Our parts cover such applications as commercial,industrial, and automotives areas.

We are looking forward to setting up business relationship with you and hope to provide you with the best service and solution. Let us make a better world for our industry!



## Contact us

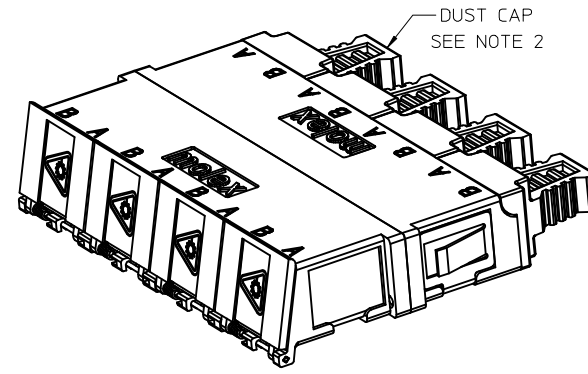
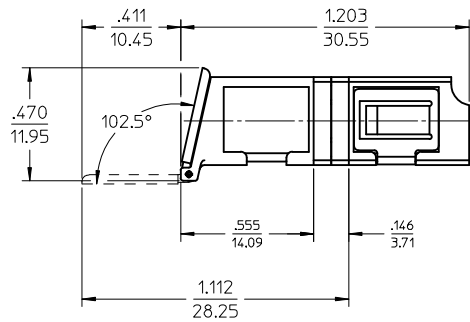
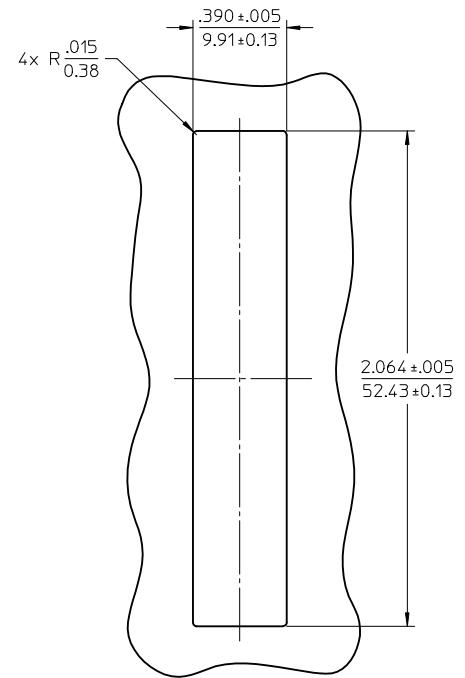
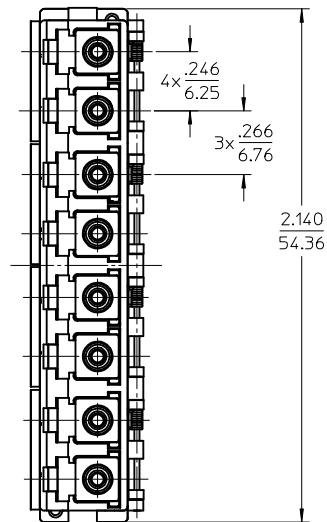
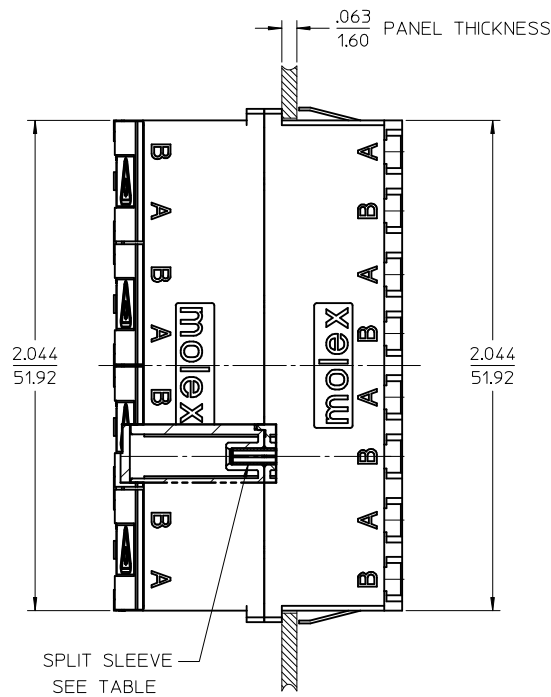
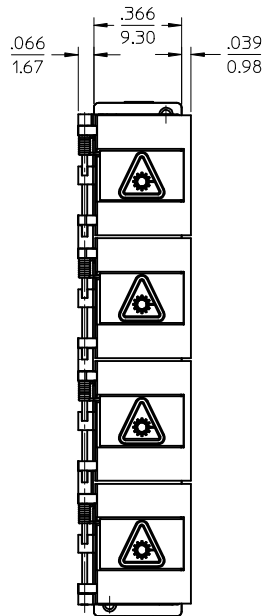
Tel: +86-755-8981 8866 Fax: +86-755-8427 6832

Email & Skype: info@chipsmall.com Web: www.chipsmall.com

Address: A1208, Overseas Decoration Building, #122 Zhenhua RD., Futian, Shenzhen, China



LC 8 PORT ADAPTER		SPLIT SLEEVE
P/N	COLOR	MATERIAL
106121-0300	BLUE	CERAMIC
106121-0301	GREEN	
106121-0302	BEIGE	PHOSPHOR BRONZE
106121-0303	AQUA	



ISO VIEW

NOTES:  
 1. ALL DIMENSIONS ARE FOR REFERENCE.  
 2. DUST CAPS SHOWN IN ISO VIEW ONLY.

ENTER DESCRIPTION EC NO: MF2015-0403 DRWNSDXIE 2015/06/11 CHKD: WCHEN APPR: WCHEN	DESCRIPTION 2015/09/25	QUALITY SYMBOLS	GENERAL TOLERANCES (UNLESS SPECIFIED)	DIMENSION STYLE	SCALE	DESIGN UNITS	THIRD ANGLE PROJECTION	
		▽=0	mm INCH	IN/MM	2.5:1	INCH		
		▽=0	4 PLACES ± --- ± ---	DRAWN BY DATE	TITLE	LC 8 PORT ADAPTER SNAP MOUNT W/SHUTTERS		
		▽=0	3 PLACES ± --- ± ---	YBELENKIY 2011/09/07	SEE TABLE			
		2 PLACES ± --- ± ---	CHECKED BY DATE		<b>molex</b> DOCUMENT NO. SD-106121-0300 SHEET NO. 1 OF 1			
		1 PLACE ± --- ± ---	APPROVED BY DATE					
		0 PLACE ± --- ± ---	WCHEN 2012/02/06		THIS DRAWING CONTAINS INFORMATION THAT IS PROPRIETARY TO MOLEX INCORPORATED AND SHOULD NOT BE USED WITHOUT WRITTEN PERMISSION			
		ANGULAR ± --- °	MATERIAL NO.					
			DRAFT WHERE APPLICABLE MUST REMAIN WITHIN DIMENSIONS	SIZE				