



Chipsmall Limited consists of a professional team with an average of over 10 year of expertise in the distribution of electronic components. Based in Hongkong, we have already established firm and mutual-benefit business relationships with customers from,Europe,America and south Asia,supplying obsolete and hard-to-find components to meet their specific needs.

With the principle of "Quality Parts,Customers Priority,Honest Operation,and Considerate Service",our business mainly focus on the distribution of electronic components. Line cards we deal with include Microchip,ALPS,ROHM,Xilinx,Pulse,ON,Everlight and Freescale. Main products comprise IC,Modules,Potentiometer,IC Socket,Relay,Connector.Our parts cover such applications as commercial,industrial, and automotives areas.

We are looking forward to setting up business relationship with you and hope to provide you with the best service and solution. Let us make a better world for our industry!



Contact us

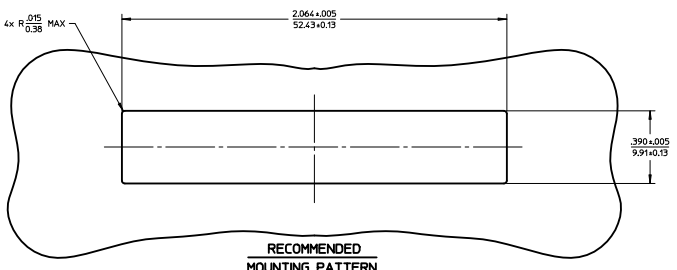
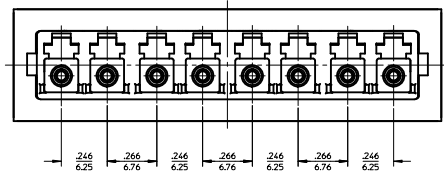
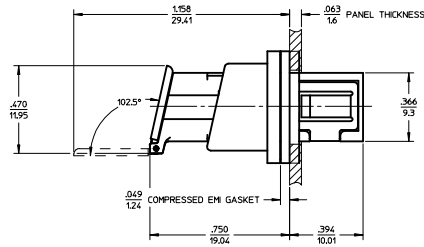
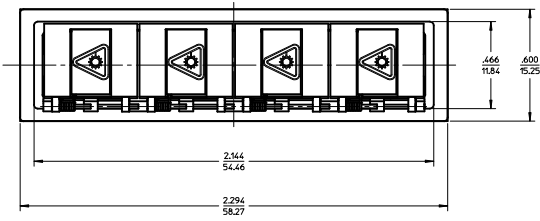
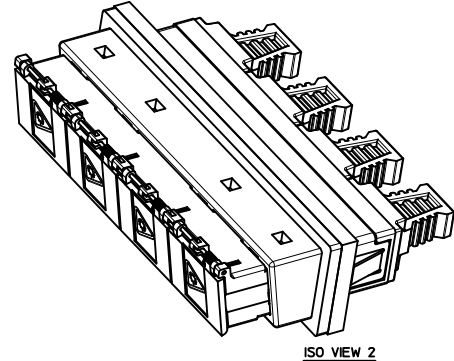
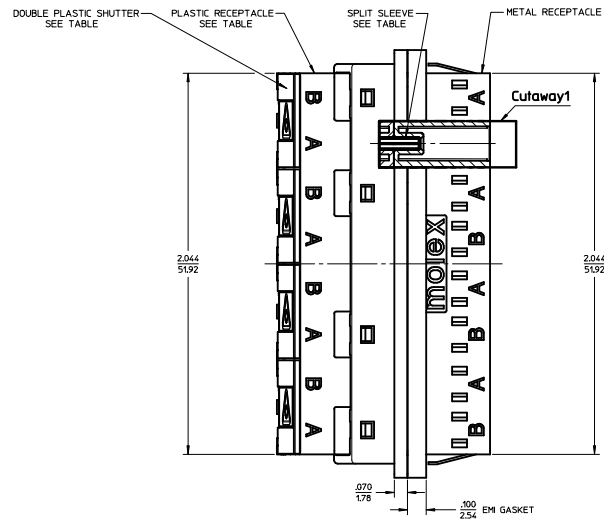
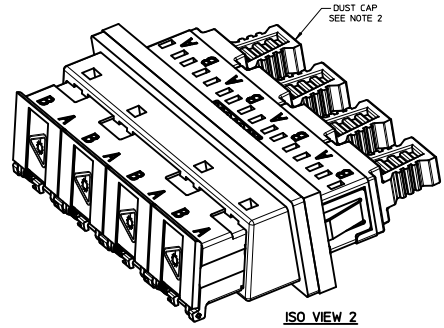
Tel: +86-755-8981 8866 Fax: +86-755-8427 6832

Email & Skype: info@chipsmall.com Web: www.chipsmall.com

Address: A1208, Overseas Decoration Building, #122 Zhenhua RD., Futian, Shenzhen, China



LC 8 PORT ADAPTER P/N	PLASTIC RECEPTACLE COLOR	DOUBLE PLASTIC SHUTTER COLOR	SPLIT SLEEVE MATERIAL
106121-0950	BLUE	BLUE	CERAMIC
106121-0951	GREEN	GREEN	
106121-0952	BEIGE	BEIGE	PHOSPHOR BRONZE
106121-0953	AQUA	AQUA	



NOTES.

1. ALL DIMENSIONS ARE FOR REFERENCE.

2. DUST CAPS SHOWN IN ISOMETRIC VIEWS ONLY.

ENTER DESCRIPTION IEC NO: MF2012-0092 DRAWN: YBELENIY 2011/10/05 CHYD: APPR: WCHEN 2012/02/06	QUALITY SYMBOLS ▽=0 ▽=0	GENERAL TOLERANCES (UNLESS SPECIFIED) mm INCH 4 PLACES ±--- ±--- 3 PLACES ±--- ±--- 2 PLACES ±--- ±--- 1 PLACE ±--- ±--- ANGULAR ±---°	DIMENSION STYLE IN/MM SCALE 3:1 DESIGN UNITS INCH THIRD ANGLE PROJECTION	DRAWN BY YBELENIY DATE 2011/10/05 CHECKED BY DATE	TITLE LC 8 PORT EMI ADAPTER SNAP MOUNT WITH SHUTTERS
	APPROVED BY WCHEN DATE 2012/02/06	MATERIAL NO. SEE TABLE	DOCUMENT NO. SD-106121-0950	MOLEX INCORPORATED	SHEET NO. 1 OF 1
	DRAFT WHERE APPLICABLE MUST REMAIN WITHIN DIMENSIONS	THIS DRAWING CONTAINS INFORMATION THAT IS PROPRIETARY TO MOLEX INCORPORATED AND SHOULD NOT BE USED WITHOUT WRITTEN PERMISSION			
	SIZE D				