



Chipsmall Limited consists of a professional team with an average of over 10 year of expertise in the distribution of electronic components. Based in Hongkong, we have already established firm and mutual-benefit business relationships with customers from,Europe,America and south Asia,supplying obsolete and hard-to-find components to meet their specific needs.

With the principle of “Quality Parts,Customers Priority,Honest Operation,and Considerate Service”,our business mainly focus on the distribution of electronic components. Line cards we deal with include Microchip,ALPS,ROHM,Xilinx,Pulse,ON,Everlight and Freescale. Main products comprise IC,Modules,Potentiometer,IC Socket,Relay,Connector.Our parts cover such applications as commercial,industrial, and automotives areas.

We are looking forward to setting up business relationship with you and hope to provide you with the best service and solution. Let us make a better world for our industry!



Contact us

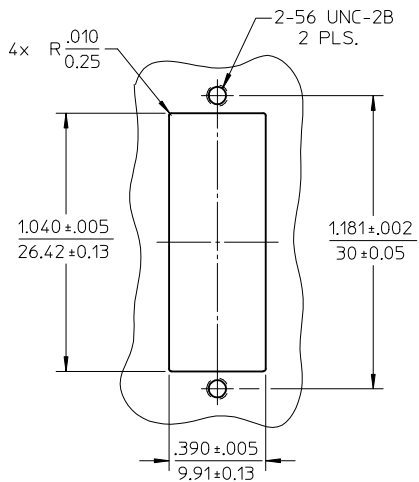
Tel: +86-755-8981 8866 Fax: +86-755-8427 6832

Email & Skype: info@chipsmall.com Web: www.chipsmall.com

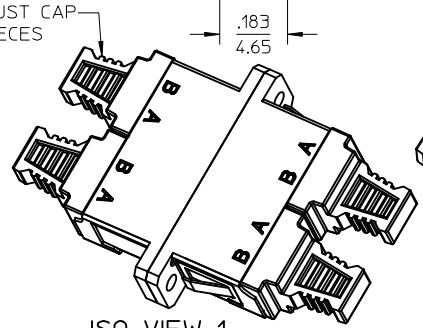
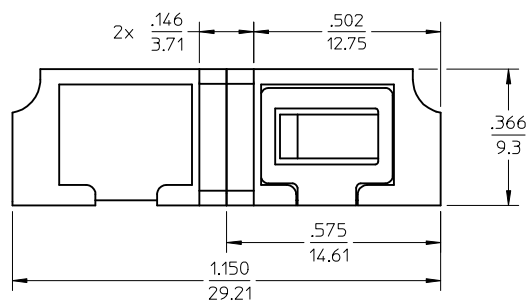
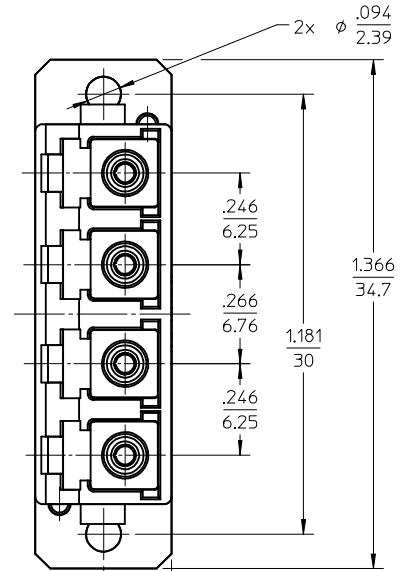
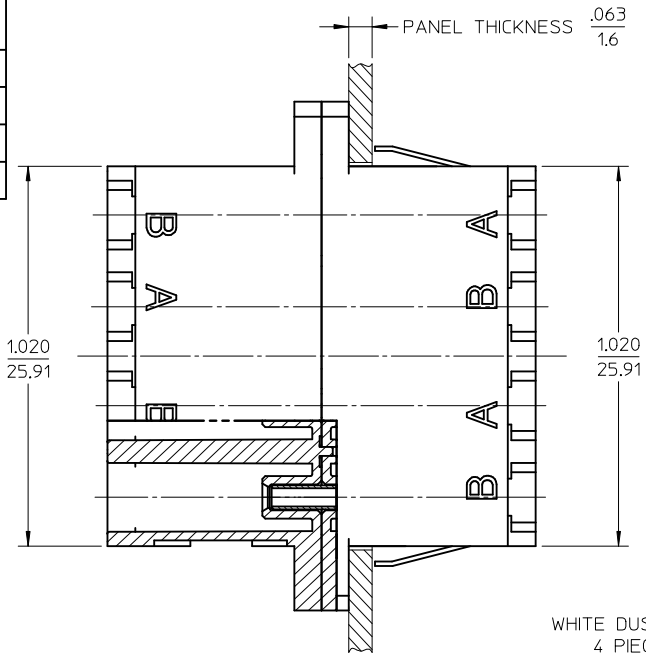
Address: A1208, Overseas Decoration Building, #122 Zhenhua RD., Futian, Shenzhen, China



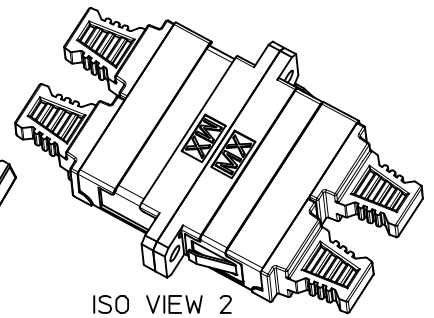
LC QUAD ADAPTER P/N	LC QUAD ADAPTER COLOR	SPLIT SLEEVE MATERIAL
106123-0100	BLUE	ZR
106123-1100	BEIGE	PHOSPHOR BRONZE
106123-2100	GREEN	ZR
106123-3100	AQUA	PHOSPHOR BRONZE



RECOMMENDED MOUNTING PATTERN
SCALE 2:1



ISO VIEW 1
SCALE 1.5:1



ISO VIEW 2
SCALE 1.5:1

- NOTES:
1. ALL DIMENSIONS ARE FOR REFERENCE.
 2. DUST CAPS NOT SHOWN ON FRONT, BOTTOM AND RIGHT VIEW.
 3. LC QUAD ADAPTER HAS SC DUPLEX ADAPTER FOOTPRINT.

ENTER DESCRIPTION EC NO: MF2013-0549 DRAWN: KPEVZNER 2013/03/01 CHKD: LGUMIN 2013/03/07 APPR: LGUMIN 2013/03/07 A1	QUALITY SYMBOLS ▽=0 ▽=0 ▽=0	GENERAL TOLERANCES (UNLESS SPECIFIED)		DIMENSION STYLE IN/MM	SCALE 3:1	DESIGN UNITS INCH	THIRD ANGLE PROJECTION	
		4 PLACES ± --- ± --- 3 PLACES ± --- ± --- 2 PLACES ± --- ± --- 1 PLACE ± --- ± --- 0 PLACE ± ±	mm INCH	DRAWN BY DATE PGIBLIN 2005/11/21	TITLE LC QUAD ADAPTER (SCREW AND SNAP MOUNT)			
		ANGULAR ± --- ° DRAFT WHERE APPLICABLE MUST REMAIN WITHIN DIMENSIONS		CHECKED BY DATE	molex			
		MATERIAL NO. SEE TABLE SIZE B		APPROVED BY DATE	DOCUMENT NO. SD-106123-X100	SHEET NO. 1 OF 1		