



Chipsmall Limited consists of a professional team with an average of over 10 year of expertise in the distribution of electronic components. Based in Hongkong, we have already established firm and mutual-benefit business relationships with customers from,Europe,America and south Asia,supplying obsolete and hard-to-find components to meet their specific needs.

With the principle of "Quality Parts,Customers Priority,Honest Operation,and Considerate Service",our business mainly focus on the distribution of electronic components. Line cards we deal with include Microchip,ALPS,ROHM,Xilinx,Pulse,ON,Everlight and Freescale. Main products comprise IC,Modules,Potentiometer,IC Socket,Relay,Connector.Our parts cover such applications as commercial,industrial, and automotives areas.

We are looking forward to setting up business relationship with you and hope to provide you with the best service and solution. Let us make a better world for our industry!



Contact us

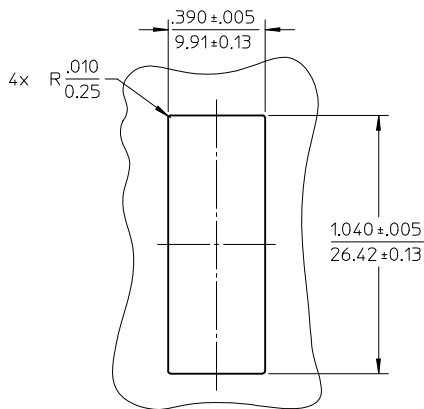
Tel: +86-755-8981 8866 Fax: +86-755-8427 6832

Email & Skype: info@chipsmall.com Web: www.chipsmall.com

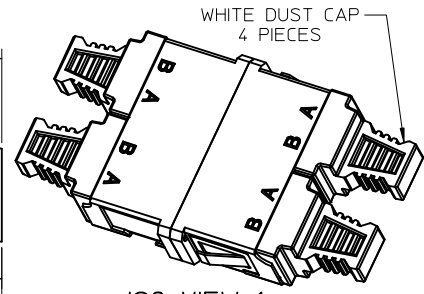
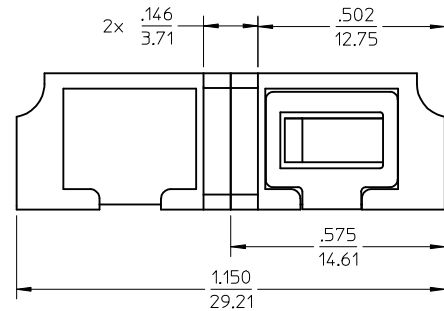
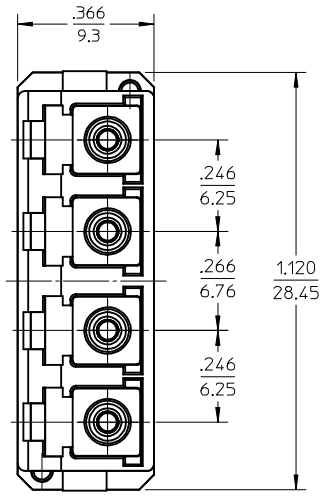
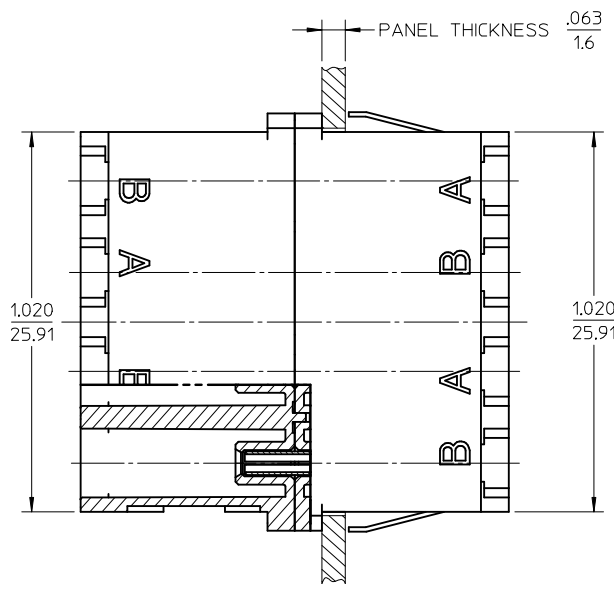
Address: A1208, Overseas Decoration Building, #122 Zhenhua RD., Futian, Shenzhen, China



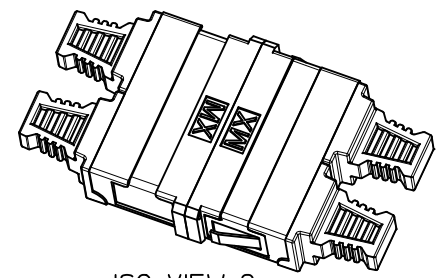
10	9	8
LC QUAD ADAPTER P/N	LC QUAD ADAPTER COLOR	SPLIT SLEEVE MATERIAL
106123-0300	BLUE	ZR
106123-1300	BEIGE	PHOSPHOR BRONZE
106123-2300	GREEN	ZR
106123-3300	AQUA	PHOSPHOR BRONZE
106123-1350	BLUE	PHOSPHOR BRONZE



RECOMMENDED MOUNTING PATTERN
SCALE 2:1



ISO VIEW 1
SCALE 1.5:1



ISO VIEW 2
SCALE 1.5:1

- NOTES:
1. ALL DIMENSIONS ARE FOR REFERENCE.
 2. DUST CAPS NOT SHOWN ON FRONT, BOTTOM AND RIGHT VIEW.
 3. LC QUAD ADAPTER HAS SC DUPLEX ADAPTER FOOTPRINT.

ENTER DESCRIPTION EC NO: MF2013-0549 DRW: KPEVZNER 2013/03/04 CHKD: APPR: IGUMIN 2013/03/07 REV	QUALITY SYMBOLS	GENERAL TOLERANCES (UNLESS SPECIFIED)	DIMENSION STYLE	SCALE	DESIGN UNITS	THIRD ANGLE PROJECTION	
	▽ F=0	4 PLACES ± --- ± ---	IN/MM	3:1	INCH	☉ □	
	▽ F=0	3 PLACES ± --- ± ---	DRAWN BY	DATE	TITLE	LC QUAD ADAPTER SMALL FLANGE SNAP MOUNT	
	▽ F=0	2 PLACES ± --- ± ---	PGIBLIN	2005/11/21	molex		
	1 PLACE ± --- ± ---	CHECKED BY	DATE	APPROVED BY		DATE	DOCUMENT NO.
	0 PLACE ± ±	ANGULAR ± --- °	IGUMIN	2010/03/16	DATE	2010/03/16	SHEET NO.
A2		DRAFT WHERE APPLICABLE MUST REMAIN WITHIN DIMENSIONS	MATERIAL NO.	SEE TABLE	DATE	SD-106123-X300	1 OF 1
			SIZE B	THIS DRAWING CONTAINS INFORMATION THAT IS PROPRIETARY TO MOLEX INCORPORATED AND SHOULD NOT BE USED WITHOUT WRITTEN PERMISSION			