



Chipsmall Limited consists of a professional team with an average of over 10 year of expertise in the distribution of electronic components. Based in Hongkong, we have already established firm and mutual-benefit business relationships with customers from,Europe,America and south Asia,supplying obsolete and hard-to-find components to meet their specific needs.

With the principle of “Quality Parts,Customers Priority,Honest Operation,and Considerate Service”,our business mainly focus on the distribution of electronic components. Line cards we deal with include Microchip,ALPS,ROHM,Xilinx,Pulse,ON,Everlight and Freescale. Main products comprise IC,Modules,Potentiometer,IC Socket,Relay,Connector.Our parts cover such applications as commercial,industrial, and automotives areas.

We are looking forward to setting up business relationship with you and hope to provide you with the best service and solution. Let us make a better world for our industry!



Contact us

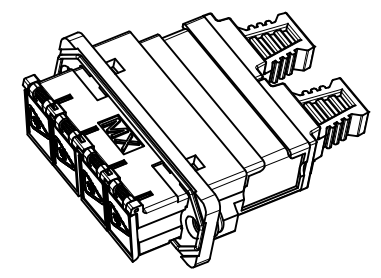
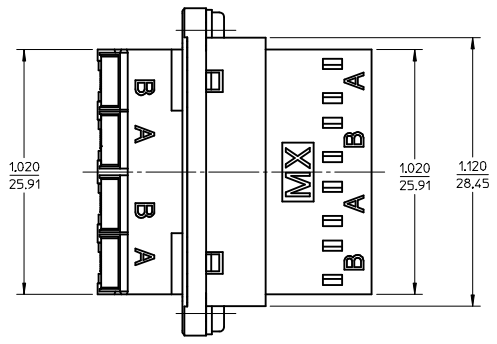
Tel: +86-755-8981 8866 Fax: +86-755-8427 6832

Email & Skype: info@chipsmall.com Web: www.chipsmall.com

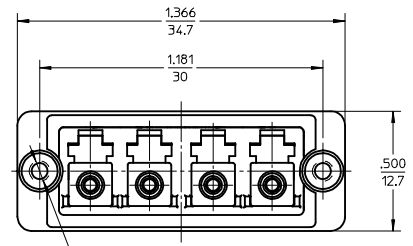
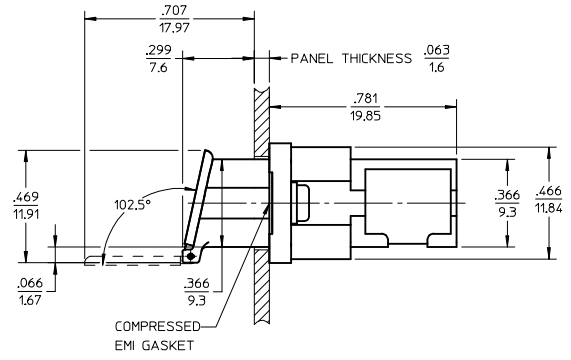
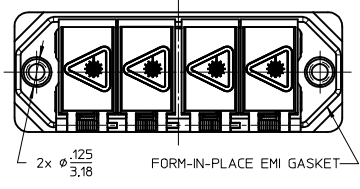
Address: A1208, Overseas Decoration Building, #122 Zhenhua RD., Futian, Shenzhen, China



ADAPTER P/N	RECEPTACLE COLOR	LC DOOR COLOR
106123-0600	BLUE	BLUE
106123-0650	GREEN	GREEN

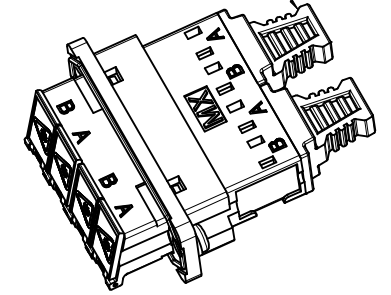


ISO VIEW 2
SCALE 2:1

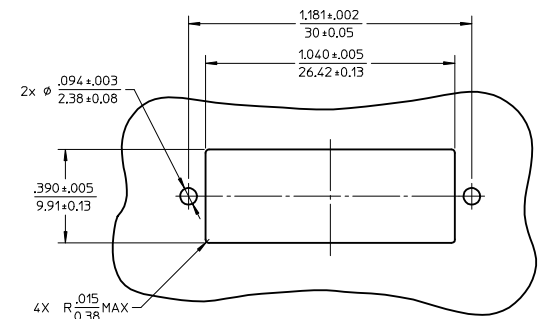


2-56 UNC-2B
2 PLS.

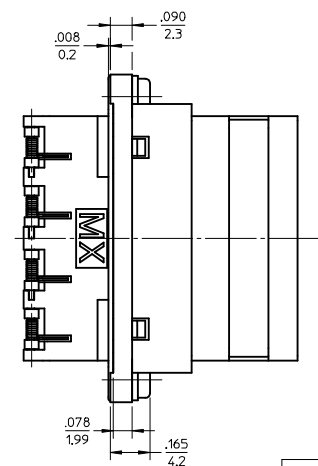
DUST CAP
2 PIECES



ISO VIEW 1
SCALE 2:1



RECOMMENDED
MOUNTING PATTERN



- NOTES:
1. ALL DIMENSIONS ARE FOR REFERENCE.
 2. TWO DUST CAPS SHOWN IN ISOMETRIC VIEWS ONLY.
 3. LC EMI QUAD ADAPTER HAS SC DUPLEX ADAPTER FOOTPRINT.

ENTER DESCRIPTION EC NO: MF2013-0264 DRW:KPEVZNER 2012/11/09 CHKD: APPR: IGUMIN 2012/11/09	QUALITY SYMBOLS ▽=0 ▽=0 ▽=0	GENERAL TOLERANCES (UNLESS SPECIFIED)		DIMENSION STYLE IN/MM		SCALE 2.5:1	DESIGN UNITS INCH	THIRD ANGLE PROJECTION	
		4 PLACES ± --- ± ---	3 PLACES ± --- ± ---	2 PLACES ± --- ± ---	1 PLACE ± --- ± ---	0 PLACE ± --- ± ---	DRAWN BY YB	DATE 3.03.06	TITLE LC EMI QUAD ADAPTER SCREW MOUNT
REV C2	DESCRIPTION	ANGULAR ± --- °		MATERIAL NO. IGUMIN		DATE 2010/02/23		DOCUMENT NO. SD-106123-0600	
		DRAFT WHERE APPLICABLE MUST REMAIN WITHIN DIMENSIONS		SEE TABLE		THIS DRAWING CONTAINS INFORMATION THAT IS PROPRIETARY TO MOLEX INCORPORATED AND SHOULD NOT BE USED WITHOUT WRITTEN PERMISSION		SHEET NO. 1 OF 1	