



Chipsmall Limited consists of a professional team with an average of over 10 year of expertise in the distribution of electronic components. Based in Hongkong, we have already established firm and mutual-benefit business relationships with customers from,Europe,America and south Asia,supplying obsolete and hard-to-find components to meet their specific needs.

With the principle of “Quality Parts,Customers Priority,Honest Operation,and Considerate Service”,our business mainly focus on the distribution of electronic components. Line cards we deal with include Microchip,ALPS,ROHM,Xilinx,Pulse,ON,Everlight and Freescale. Main products comprise IC,Modules,Potentiometer,IC Socket,Relay,Connector.Our parts cover such applications as commercial,industrial, and automotives areas.

We are looking forward to setting up business relationship with you and hope to provide you with the best service and solution. Let us make a better world for our industry!



Contact us

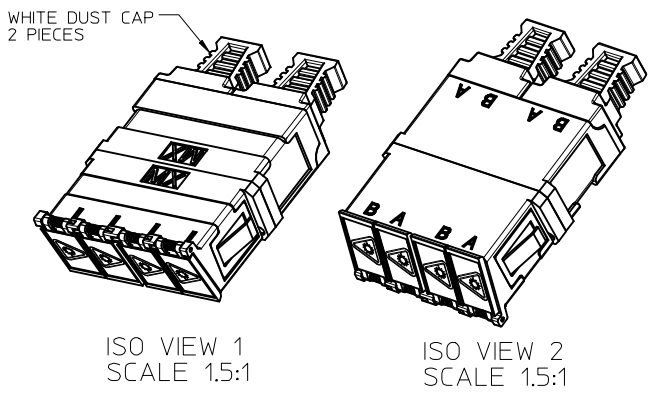
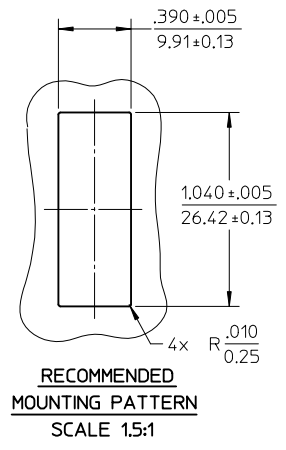
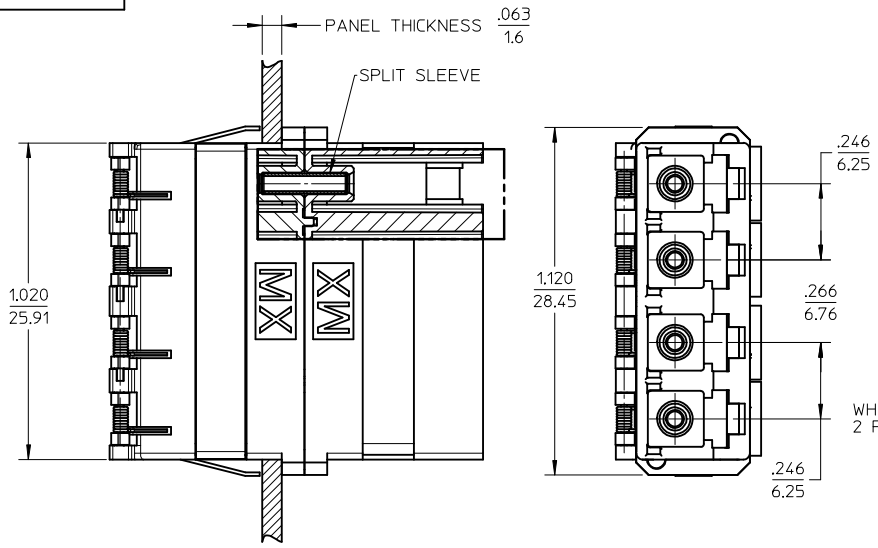
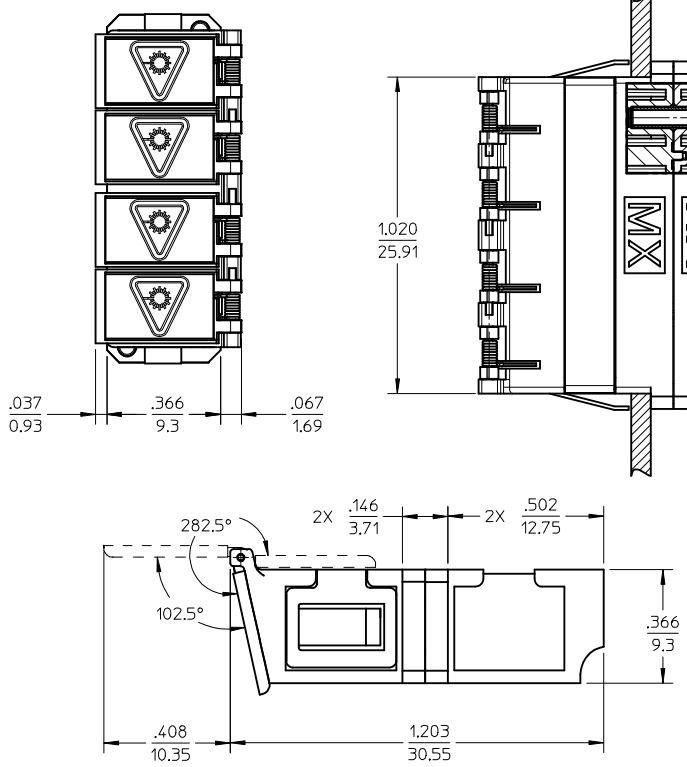
Tel: +86-755-8981 8866 Fax: +86-755-8427 6832

Email & Skype: info@chipsmall.com Web: www.chipsmall.com

Address: A1208, Overseas Decoration Building, #122 Zhenhua RD., Futian, Shenzhen, China



10	9	8	7	6	5	4	3	2	1
LC QUAD ADAPTER P/N	LC QUAD ADAPTER COLOR	SPLIT SLEEVE MATERIAL							
106123-0450	BLUE	ZR							
106123-1450	BEIGE	PHOSPHOR BRONZE							
106123-3450	AQUA	PHOSPHOR BRONZE							
106123-2430	GREEN	ZR							



- NOTES:
- ALL DIMENSIONS ARE FOR REFERENCE.
 - DUST CAPS NOT SHOWN ON FRONT, BOTTOM AND RIGHT VIEW.
 - LC QUAD ADAPTER HAS SC DUPLEX ADAPTER FOOTPRINT.

ENTER DESCRIPTION EC NO: MF2013-0549 DR: MANKPEVZNER 2013/03/04 CHKD: APPR: IGUMIN 2013/03/07	QUALITY SYMBOLS	GENERAL TOLERANCES (UNLESS SPECIFIED)	DIMENSION STYLE	SCALE	DESIGN UNITS	THIRD ANGLE PROJECTION
	$F=0$	mm INCH	IN/MM	2.5:1	INCH	
	$F=0$	4 PLACES ± --- ± ---	DRAWN BY DATE			
	$F=0$	3 PLACES ± --- ± ---	LKATARZIENE 8.22.07			
$F=0$	2 PLACES ± --- ± ---	CHECKED BY DATE				
	1 PLACE ± --- ± ---	APPROVED BY DATE				
	0 PLACE ± ±					
		ANGULAR ±1/2°	MATERIAL NO.	DOCUMENT NO.	SHEET NO.	
		DRAFT WHERE APPLICABLE MUST REMAIN WITHIN DIMENSIONS	SEE TABLE	SD-106123-0450	1 OF 1	
			SIZE B	THIS DRAWING CONTAINS INFORMATION THAT IS PROPRIETARY TO MOLEX INCORPORATED AND SHOULD NOT BE USED WITHOUT WRITTEN PERMISSION		