



Chipsmall Limited consists of a professional team with an average of over 10 year of expertise in the distribution of electronic components. Based in Hongkong, we have already established firm and mutual-benefit business relationships with customers from,Europe,America and south Asia,supplying obsolete and hard-to-find components to meet their specific needs.

With the principle of “Quality Parts,Customers Priority,Honest Operation,and Considerate Service”,our business mainly focus on the distribution of electronic components. Line cards we deal with include Microchip,ALPS,ROHM,Xilinx,Pulse,ON,Everlight and Freescale. Main products comprise IC,Modules,Potentiometer,IC Socket,Relay,Connector.Our parts cover such applications as commercial,industrial, and automotives areas.

We are looking forward to setting up business relationship with you and hope to provide you with the best service and solution. Let us make a better world for our industry!



Contact us

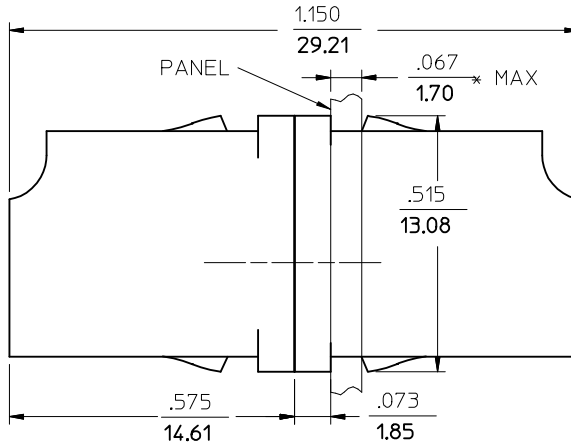
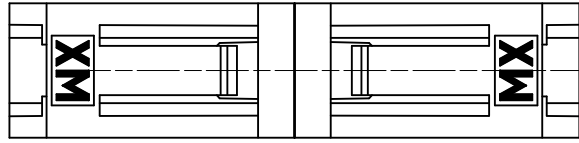
Tel: +86-755-8981 8866 Fax: +86-755-8427 6832

Email & Skype: info@chipsmall.com Web: www.chipsmall.com

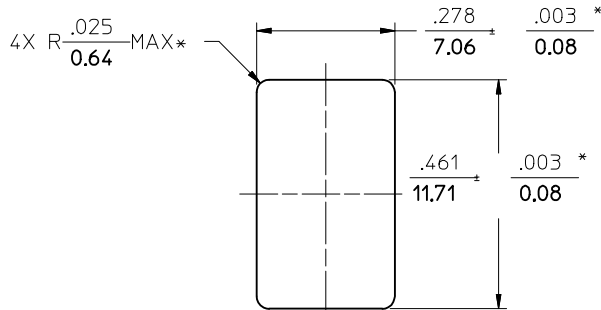
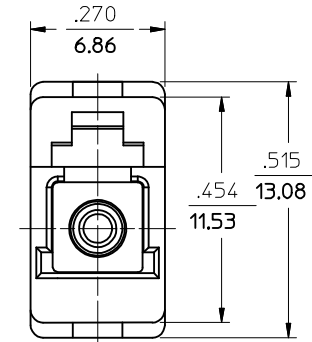
Address: A1208, Overseas Decoration Building, #122 Zhenhua RD., Futian, Shenzhen, China



ADAPTER P/N	COLOR	SPLIT SLEEVE MATERIAL
106124-1100	BLUE	ZIRCONIA - ZrO ₂
106124-0110	BEIGE	Ph. Bronze
106124-1150	GREEN	ZIRCONIA - ZrO ₂
106124-0100	BLUE	Ph. Bronze
106124-1110	BEIGE	ZIRCONIA - ZrO ₂
106124-1130	BLACK	ZIRCONIA - ZrO ₂



(DUST CAPS ARE NOT SHOWN)



RECOMMENDED PANEL CUTOUT
 PANEL THICKNESS $\frac{.067}{1.70}$ MAX.

NOTES:

- 1. ALL DIMENSIONS ARE FOR REFERENCE ONLY, EXCEPT WHEN MARKED WITH (*).

ENTER DESCRIPTION EC NO: MF2013-0244 DRW: MKPEVZNER 2012/10/29 CHKD: APPR: LGUMIN 2012/10/31 REV B1	QUALITY SYMBOLS ▽=0 ▽=0	GENERAL TOLERANCES (UNLESS SPECIFIED) <table border="1"> <thead> <tr> <th></th> <th>mm</th> <th>INCH</th> </tr> </thead> <tbody> <tr> <td>4 PLACES</td> <td>± .005</td> <td>± .0002</td> </tr> <tr> <td>3 PLACES</td> <td>± .004</td> <td>± .00015</td> </tr> <tr> <td>2 PLACES</td> <td>± .003</td> <td>± .0001</td> </tr> <tr> <td>1 PLACE</td> <td>± .002</td> <td>± .000075</td> </tr> <tr> <td>0 PLACE</td> <td>± .001</td> <td>± .00005</td> </tr> </tbody> </table>		mm	INCH	4 PLACES	± .005	± .0002	3 PLACES	± .004	± .00015	2 PLACES	± .003	± .0001	1 PLACE	± .002	± .000075	0 PLACE	± .001	± .00005	DIMENSION STYLE IN/MM	SCALE 1:1	DESIGN UNITS INCH	THIRD ANGLE PROJECTION
		mm	INCH																					
	4 PLACES	± .005	± .0002																					
	3 PLACES	± .004	± .00015																					
2 PLACES	± .003	± .0001																						
1 PLACE	± .002	± .000075																						
0 PLACE	± .001	± .00005																						
MATERIAL NO. SEE TABLE		DRAWN BY PGIBLIN DATE 2005/10/03		TITLE LC ADAPTER																				
DRAFT WHERE APPLICABLE MUST REMAIN WITHIN DIMENSIONS		CHECKED BY DATE		APPROVED BY DATE																				
ANGULAR ±1/2°		DOCUMENT NO. SD-106124-X1X0		SHEET NO. 1 OF 1																				