



Chipsmall Limited consists of a professional team with an average of over 10 year of expertise in the distribution of electronic components. Based in Hongkong, we have already established firm and mutual-benefit business relationships with customers from,Europe,America and south Asia,supplying obsolete and hard-to-find components to meet their specific needs.

With the principle of “Quality Parts,Customers Priority,Honest Operation,and Considerate Service”,our business mainly focus on the distribution of electronic components. Line cards we deal with include Microchip,ALPS,ROHM,Xilinx,Pulse,ON,Everlight and Freescale. Main products comprise IC,Modules,Potentiometer,IC Socket,Relay,Connector.Our parts cover such applications as commercial,industrial, and automotives areas.

We are looking forward to setting up business relationship with you and hope to provide you with the best service and solution. Let us make a better world for our industry!



## Contact us

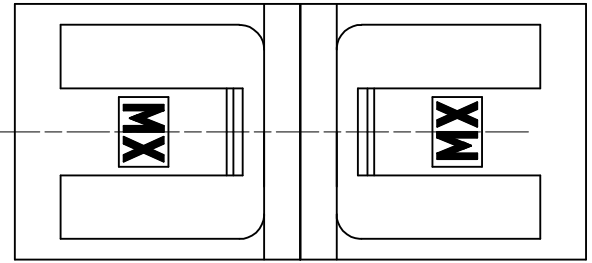
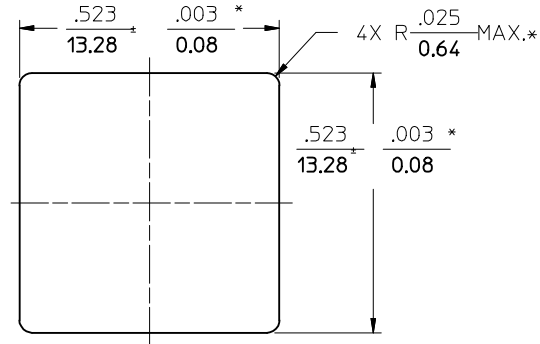
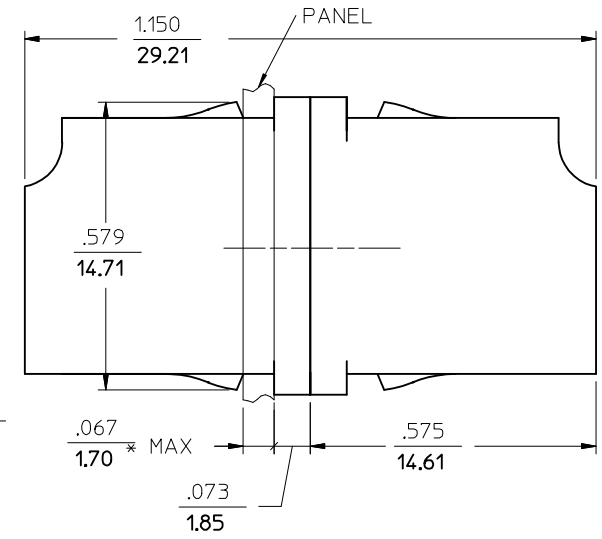
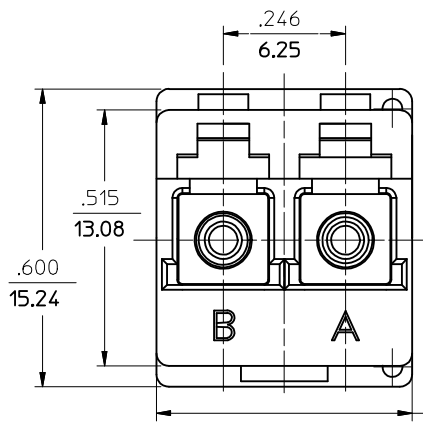
Tel: +86-755-8981 8866 Fax: +86-755-8427 6832

Email & Skype: info@chipsmall.com Web: www.chipsmall.com

Address: A1208, Overseas Decoration Building, #122 Zhenhua RD., Futian, Shenzhen, China



| ADAPTER P/N  | COLOR | SPLIT SLEEVE MATERIAL       |
|--------------|-------|-----------------------------|
| 106125-1100  | BLUE  | ZIRCONIA - ZrO <sub>2</sub> |
| 106125-0110  | BEIGE | Ph. Bronze                  |
| 106125-0111* |       |                             |
| 106125-1150  | GREEN | ZIRCONIA - ZrO <sub>2</sub> |
| 106125-0100  | BLUE  | Ph. Bronze                  |
| 106125-1110  | BEIGE | ZIRCONIA - ZrO <sub>2</sub> |
| 106125-0120  | AQUA  | Ph. Bronze                  |
| 106125-1170  | BLACK | ZIRCONIA - ZrO <sub>2</sub> |



(DUST CAPS ARE NOT SHOWN)

RECOMMENDED PANEL CUTOUT  
 PANEL THICKNESS  $\frac{.067}{1.70}$  MAX.

NOTES:

- ALL DIMENSIONS ARE FOR REFERENCE ONLY. EXCEPT WHEN MARKED WITH (\*).
- P/N 106125-0111 SHALL BE BULK PACKED IN QUANTITIES OF 100pcs.
- ALL POLYMERIC MATERIALS USED IN THIS ADAPTER HAVE UL94 RATING OF V-0.

| <b>ENTER DESCRIPTION</b><br>EC NO: MF2013-0244<br>DR: MARK PEVZNER 2012/10/29<br>CHKD:<br>APPR: IGUMIN 2012/10/31<br>REV      | QUALITY SYMBOLS<br>▽=0<br>▽=0 | GENERAL TOLERANCES (UNLESS SPECIFIED)<br><table border="1"> <thead> <tr> <th></th> <th>mm</th> <th>INCH</th> </tr> </thead> <tbody> <tr> <td>4 PLACES</td> <td>± .005</td> <td>± .0004</td> </tr> <tr> <td>3 PLACES</td> <td>± .004</td> <td>± .0003</td> </tr> <tr> <td>2 PLACES</td> <td>± .003</td> <td>± .0002</td> </tr> <tr> <td>1 PLACE</td> <td>± .002</td> <td>± .0001</td> </tr> <tr> <td>0 PLACE</td> <td>± .001</td> <td>± .0000</td> </tr> </tbody> </table> |  | mm | INCH | 4 PLACES | ± .005 | ± .0004 | 3 PLACES | ± .004 | ± .0003 | 2 PLACES | ± .003 | ± .0002 | 1 PLACE | ± .002 | ± .0001 | 0 PLACE | ± .001 | ± .0000 | DIMENSION STYLE<br>IN/MM<br>DRAWN BY PGIBL IN DATE 2005/10/04<br>CHECKED BY DATE<br>APPROVED BY DATE 2005/10/04 | SCALE 4:1<br>DESIGN UNITS INCH<br>THIRD ANGLE PROJECTION |
|---|-------------------------------|---|--|----|------|----------|--------|---------|----------|--------|---------|----------|--------|---------|---------|--------|---------|---------|--------|---------|---|--|
|   |                               | mm  | INCH   |    |      |          |        |         |          |        |         |          |        |         |         |        |         |         |        |         |   |  |
|   | 4 PLACES                      | ± .005  | ± .0004  |    |      |          |        |         |          |        |         |          |        |         |         |        |         |         |        |         |   |  |
|   | 3 PLACES                      | ± .004  | ± .0003  |    |      |          |        |         |          |        |         |          |        |         |         |        |         |         |        |         |   |  |
| 2 PLACES  | ± .003                        | ± .0002   |  |    |      |          |        |         |          |        |         |          |        |         |         |        |         |         |        |         |   |  |
| 1 PLACE   | ± .002                        | ± .0001   |  |    |      |          |        |         |          |        |         |          |        |         |         |        |         |         |        |         |   |  |
| 0 PLACE   | ± .001                        | ± .0000   |  |    |      |          |        |         |          |        |         |          |        |         |         |        |         |         |        |         |   |  |
| ANGULAR ±1/2°<br>DRAFT WHERE APPLICABLE MUST REMAIN WITHIN DIMENSIONS   |                               | MATERIAL NO. SEE TABLE<br>SIZE B  | TITLE LC DUPLEX ADAPTER<br>DOCUMENT NO. SD-106125-X1X0<br>SHEET NO. 1 OF 1 |    |      |          |        |         |          |        |         |          |        |         |         |        |         |         |        |         |   |  |
| THIS DRAWING CONTAINS INFORMATION THAT IS PROPRIETARY TO MOLEX INCORPORATED AND SHOULD NOT BE USED WITHOUT WRITTEN PERMISSION |                               |   |  |    |      |          |        |         |          |        |         |          |        |         |         |        |         |         |        |         |   |  |