



Chipsmall Limited consists of a professional team with an average of over 10 year of expertise in the distribution of electronic components. Based in Hongkong, we have already established firm and mutual-benefit business relationships with customers from,Europe,America and south Asia,supplying obsolete and hard-to-find components to meet their specific needs.

With the principle of “Quality Parts,Customers Priority,Honest Operation,and Considerate Service”,our business mainly focus on the distribution of electronic components. Line cards we deal with include Microchip,ALPS,ROHM,Xilinx,Pulse,ON,Everlight and Freescale. Main products comprise IC,Modules,Potentiometer,IC Socket,Relay,Connector.Our parts cover such applications as commercial,industrial, and automotives areas.

We are looking forward to setting up business relationship with you and hope to provide you with the best service and solution. Let us make a better world for our industry!



Contact us

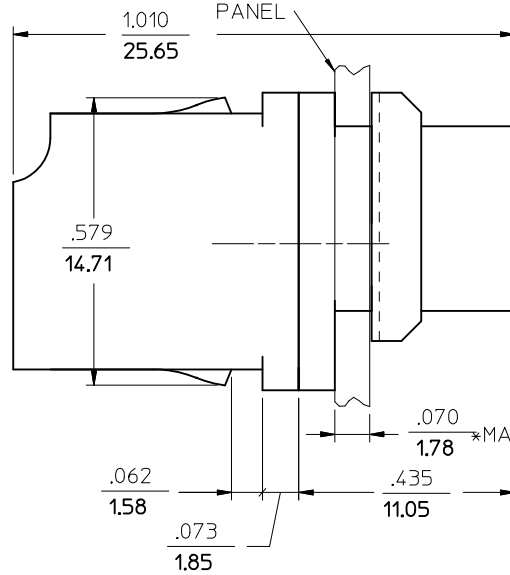
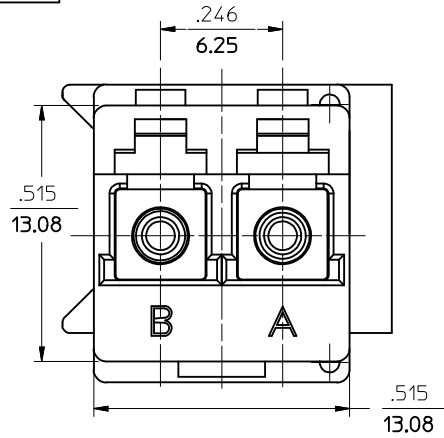
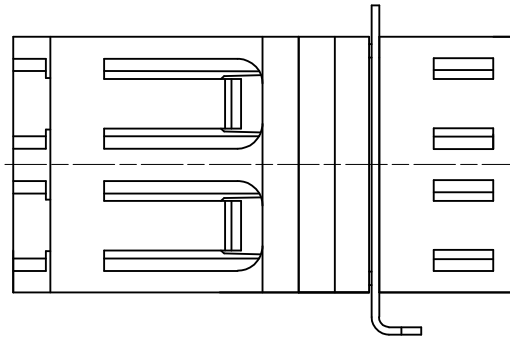
Tel: +86-755-8981 8866 Fax: +86-755-8427 6832

Email & Skype: info@chipsmall.com Web: www.chipsmall.com

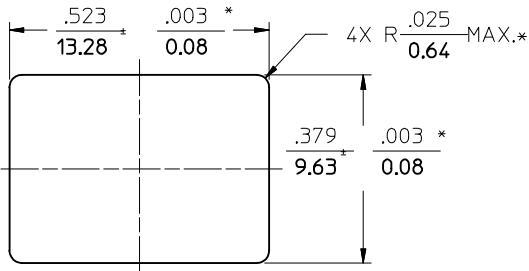
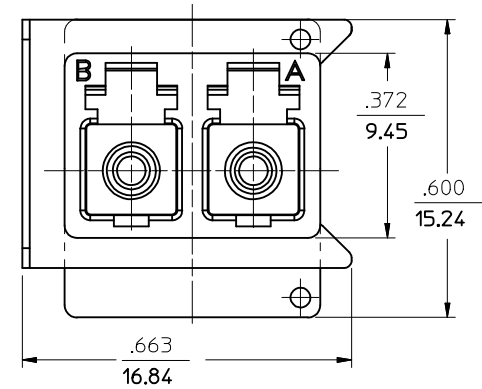
Address: A1208, Overseas Decoration Building, #122 Zhenhua RD., Futian, Shenzhen, China



ADAPTER WITH RETAINER P/N	COLOR	SPLIT SLEEVE MATERIAL
106125-1200	BLUE	ZIRCONIA - ZrO ₂
106125-0210	BEIGE	Ph. Bronze
106125-1250	GREEN	ZIRCONIA - ZrO ₂
106125-0200	BLUE	Ph. Bronze
106125-1210	BEIGE	ZIRCONIA - ZrO ₂



(DUST CAPS ARE NOT SHOWN)



NOTES:
1. ALL DIMENSIONS ARE FOR REFERENCE ONLY, EXCEPT WHEN MARKED WITH (*).

RECOMMENDED PANEL CUTOUT
PANEL THICKNESS $\frac{.070}{1.78}$ MAX.

ENTER DESCRIPTION EC NO: MF2013-0244 DRW:MKPEVZNER 2012/10/29 CHKD: APPR:IGUMIN 2012/10/31 A1	QUALITY SYMBOLS ▽=0 ▽=0	GENERAL TOLERANCES (UNLESS SPECIFIED) mm INCH 4 PLACES ± --- ± --- 3 PLACES ± --- ± --- 2 PLACES ± --- ± --- 1 PLACE ± --- ± --- 0 PLACE ± ±	DIMENSION STYLE IN/MM DRAWN BY PGIBLIN DATE 2005/10/03 CHECKED BY DATE APPROVED BY DATE	SCALE 4:1 DESIGN UNITS INCH THIRD ANGLE PROJECTION	TITLE LC DUPLEX ADAPTER, LOW PROFILE, WITH RETAINER molex	MATERIAL NO. SEE TABLE DOCUMENT NO. SD-106125-X2X0 SHEET NO. 1 OF 1
	ANGULAR ±1/2° DRAFT WHERE APPLICABLE MUST REMAIN WITHIN DIMENSIONS		THIS DRAWING CONTAINS INFORMATION THAT IS PROPRIETARY TO MOLEX INCORPORATED AND SHOULD NOT BE USED WITHOUT WRITTEN PERMISSION			