



Chipsmall Limited consists of a professional team with an average of over 10 year of expertise in the distribution of electronic components. Based in Hongkong, we have already established firm and mutual-benefit business relationships with customers from,Europe,America and south Asia,supplying obsolete and hard-to-find components to meet their specific needs.

With the principle of “Quality Parts,Customers Priority,Honest Operation,and Considerate Service”,our business mainly focus on the distribution of electronic components. Line cards we deal with include Microchip,ALPS,ROHM,Xilinx,Pulse,ON,Everlight and Freescale. Main products comprise IC,Modules,Potentiometer,IC Socket,Relay,Connector.Our parts cover such applications as commercial,industrial, and automotives areas.

We are looking forward to setting up business relationship with you and hope to provide you with the best service and solution. Let us make a better world for our industry!



Contact us

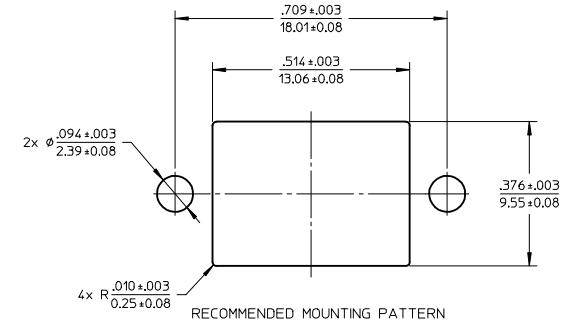
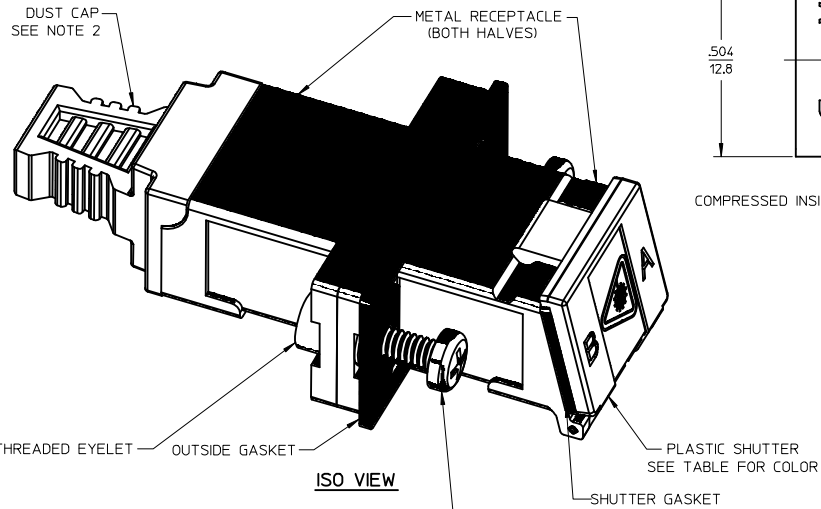
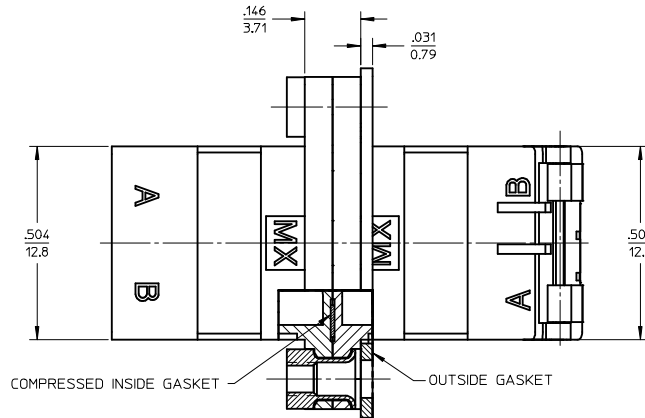
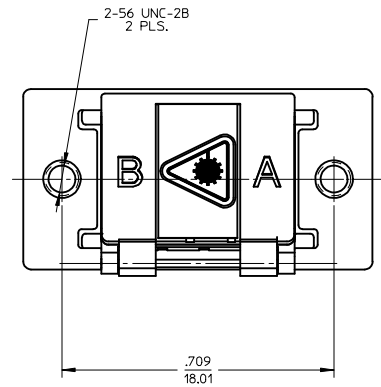
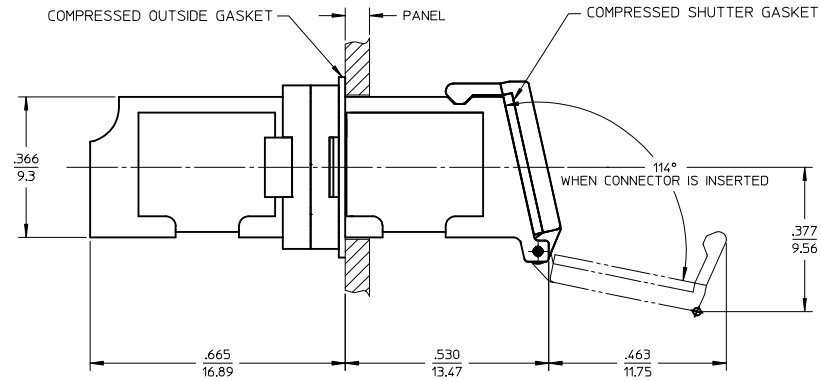
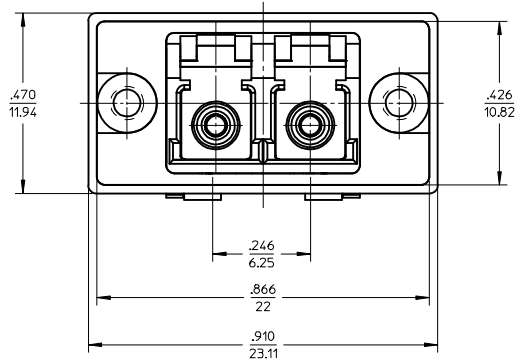
Tel: +86-755-8981 8866 Fax: +86-755-8427 6832

Email & Skype: info@chipsmall.com Web: www.chipsmall.com

Address: A1208, Overseas Decoration Building, #122 Zhenhua RD., Futian, Shenzhen, China



13	12	11	10	9	8	7	6	5	4	3	2	1
LCD ADAPTER P/N	LC SLEEVE MATERIAL	PLASTIC SHUTTER COLOR										
106127-0100	ZR	BLUE										
106127-0110	PH. BRONZE	BEIGE										



NOTES:

- ALL DIMENSIONS ARE FOR REFERENCE.
- DUST CAP & SEALING SCREWS SHOWN IN ISO VIEW ONLY.
- LC DUPLEX ADAPTER HAS SC ADAPTER FOOTPRINT.
- LC DUPLEX ADAPTER TO BE PACKAGED IN TRAY.
- SUGGESTED TORQUE OF SS #2-56 SEALING SCREWS TO SS PANEL IS 0.8 IN-LBS.

ENTER DESCRIPTION EC NO: MF2016-0301 DRWNSZ/LAGY1 2014/05/23 CHKD: APPR:WCHEN 2016/04/13	DESCRIPTION QUALITY SYMBOLS 	GENERAL TOLERANCES (UNLESS SPECIFIED)		DIMENSION STYLE IN/MM		SCALE 4:1	DESIGN UNITS INCH	THIRD ANGLE PROJECTION		
		4 PLACES ± --- ± ---	3 PLACES ± --- ± ---	2 PLACES ± --- ± ---	1 PLACE ± --- ± ---	0 PLACE ± ±	DRAWN BY YBELENKIY	DATE 2010/09/30	SEALED LCD ADAPTER 	
		ANGULAR ± --- °					CHECKED BY	DATE		
		DRAFT WHERE APPLICABLE MUST REMAIN WITHIN DIMENSIONS					APPROVED BY WCHEN	DATE 2010/12/14	SHEET NO. 1 OF 1	
					MATERIAL NO. SEE TABLE		THIS DRAWING CONTAINS INFORMATION THAT IS PROPRIETARY TO MOLEX INCORPORATED AND SHOULD NOT BE USED WITHOUT WRITTEN PERMISSION			