



Chipsmall Limited consists of a professional team with an average of over 10 year of expertise in the distribution of electronic components. Based in Hongkong, we have already established firm and mutual-benefit business relationships with customers from,Europe,America and south Asia,supplying obsolete and hard-to-find components to meet their specific needs.

With the principle of “Quality Parts,Customers Priority,Honest Operation,and Considerate Service”,our business mainly focus on the distribution of electronic components. Line cards we deal with include Microchip,ALPS,ROHM,Xilinx,Pulse,ON,Everlight and Freescale. Main products comprise IC,Modules,Potentiometer,IC Socket,Relay,Connector.Our parts cover such applications as commercial,industrial, and automotives areas.

We are looking forward to setting up business relationship with you and hope to provide you with the best service and solution. Let us make a better world for our industry!



Contact us

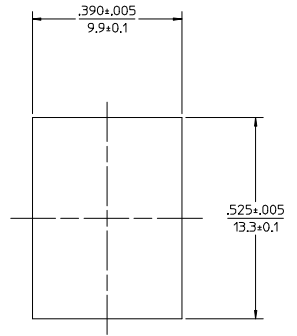
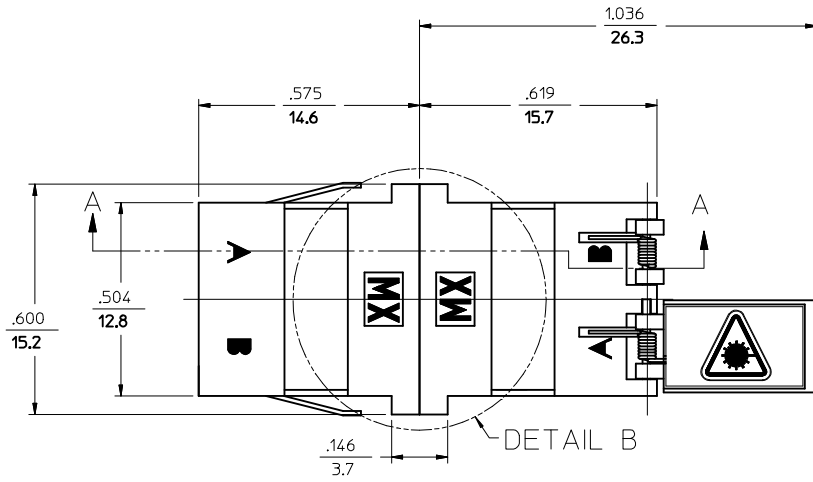
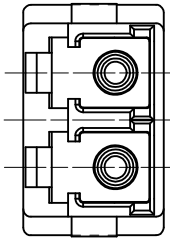
Tel: +86-755-8981 8866 Fax: +86-755-8427 6832

Email & Skype: info@chipsmall.com Web: www.chipsmall.com

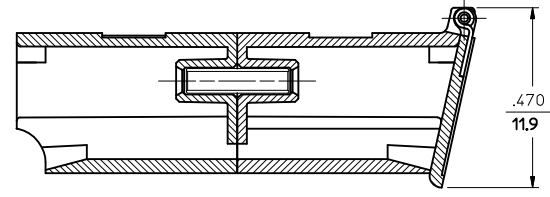
Address: A1208, Overseas Decoration Building, #122 Zhenhua RD., Futian, Shenzhen, China



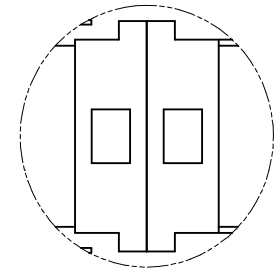
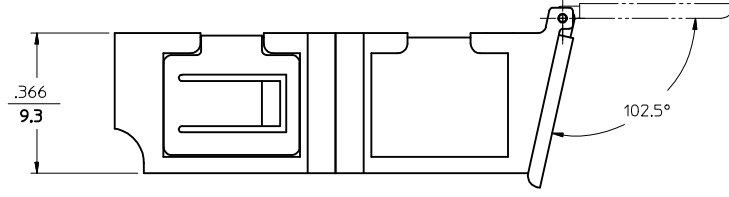
	13	12	11	10	9	8	7	6	5	4	3	2	1	
J	LC ADAPTER P/N	COLOR	SPLIT SLEEVE MATERIAL	LOGO										
	106127-1400	BLUE	Zr	MX										
	106127-1430*													
106127-1420 (SEE NOTE 2)														
I	106127-0410	BEIGE	Ph. Bronze											
	106127-1450	GREEN	Zr											
	106127-1480 (SEE NOTE 2)													
H	106127-1600	BLUE/METAL DOOR	Zr											
	106127-0610	BEIGE/METAL DOOR	Ph. Bronze											
	106127-1650	GREEN/METAL DOOR	Zr											
G	106127-1410	BLACK	Zr	NONE										
	106127-9410*	AQUA	Ph. Bronze											
	106127-9010**													
F	106127-1950*	GREEN	Zr											
	106198-2400	BLUE												
	106127-9020**													
E	106198-2410	BEIGE	Ph. Bronze											
	106127-9000**													
	106127-1610	AQUA/METAL DOOR	Ph. Bronze	MX										
D	106127-9030	AQUA	Zr	NONE										



RECOMMENDED MOUNTING CUTOUT FOR .063 MAX. THICK PANEL



SECTION A-A



DETAIL B (NO LOGO VERSION)

NOTES:

- DUST CAPS ARE NOT SHOWN, BUT INCLUDED.
- FOR P/NS 106127-1420 AND 106127-1480 LASER WARNING LABEL IS SUPPLIED UNATTACHED AND SHALL BE INSTALLED BY CUSTOMER.
- *3. P/NS 106127-9410, 106127-1950 AND 106127-1430 ARE BULK PACKED IN QUANTITIES OF 100pcs.
- **4. P/NS 106127-9000, 106127-9010 AND 106127-9020 ARE FIRST INDIVIDUALLY PACKED IN CLEAR NON-MARKED BAGS AND THEN BULK PACKED IN QUANTITIES OF 100pcs.

ENTER DESCRIPTION EC NO: MF2013-0244 DRAWN: KEVZNER 2012/10/29 CHKD: APPR: IGJMIN 2012/10/31	QUALITY SYMBOLS ▽=0 ▽=0	GENERAL TOLERANCES (UNLESS SPECIFIED)		DIMENSION STYLE IN/MM	SCALE 1:1	DESIGN UNITS INCH	THIRD ANGLE PROJECTION
		4 PLACES ± --- ± ---	3 PLACES ± --- ± ---	DRAWN BY PGIBLIN	DATE 2005/10/05	TITLE LC DUPLEX ADAPTER W/ SHUTTERS (SMALL FLANGE/SC FOOT PRINT)	DOCUMENT NO. SD-106127-YYYY0
2 PLACES ± --- ± ---	1 PLACE ± --- ± ---	CHECKED BY	DATE	APPROVED BY		DATE	
D1	REV	0 PLACE ± ±	ANGULAR ±1/2°	MATERIAL NO. SEE TABLE	THIS DRAWING CONTAINS INFORMATION THAT IS PROPRIETARY TO MOLEX INCORPORATED AND SHOULD NOT BE USED WITHOUT WRITTEN PERMISSION		
DRAFT WHERE APPLICABLE MUST REMAIN WITHIN DIMENSIONS				SIZE C			