



Chipsmall Limited consists of a professional team with an average of over 10 year of expertise in the distribution of electronic components. Based in Hongkong, we have already established firm and mutual-benefit business relationships with customers from,Europe,America and south Asia,supplying obsolete and hard-to-find components to meet their specific needs.

With the principle of “Quality Parts,Customers Priority,Honest Operation,and Considerate Service”,our business mainly focus on the distribution of electronic components. Line cards we deal with include Microchip,ALPS,ROHM,Xilinx,Pulse,ON,Everlight and Freescale. Main products comprise IC,Modules,Potentiometer,IC Socket,Relay,Connector.Our parts cover such applications as commercial,industrial, and automotives areas.

We are looking forward to setting up business relationship with you and hope to provide you with the best service and solution. Let us make a better world for our industry!



Contact us

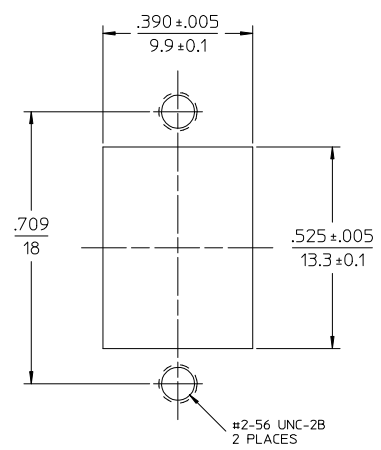
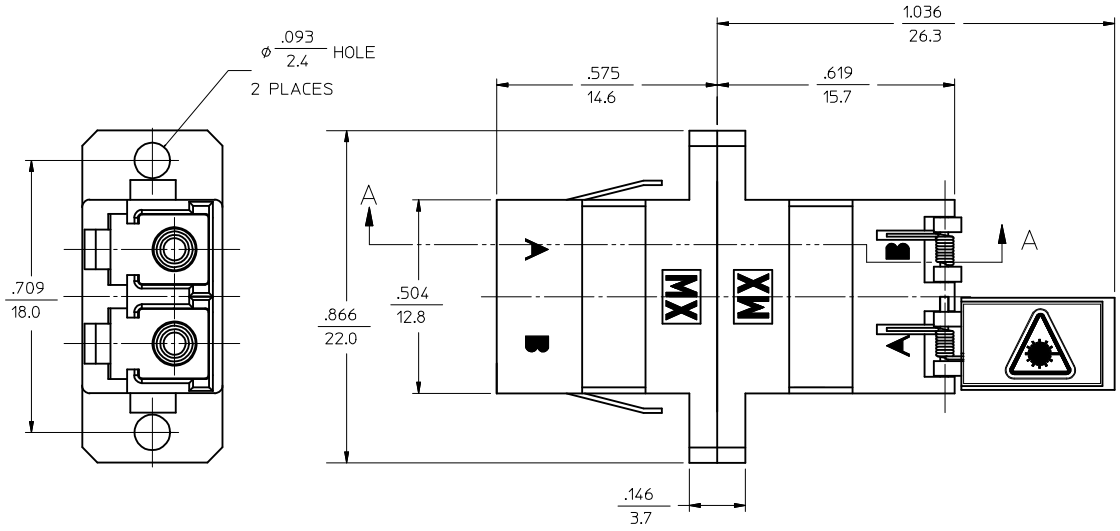
Tel: +86-755-8981 8866 Fax: +86-755-8427 6832

Email & Skype: info@chipsmall.com Web: www.chipsmall.com

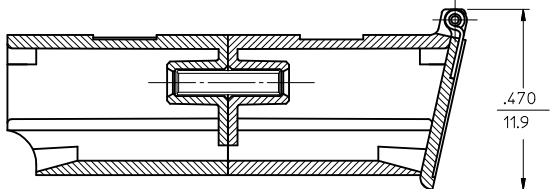
Address: A1208, Overseas Decoration Building, #122 Zhenhua RD., Futian, Shenzhen, China



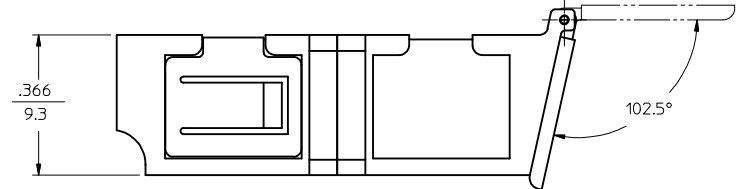
LC ADAPTER P/N	COLOR	SPLIT SLEEVE MATERIAL
106127-1300	BLUE	Zr
106127-1320 (SEE NOTE 2)		
106127-0310	BEIGE	Ph. Bronze
106127-0350	AQUA	Ph. Bronze
106127-1350	GREEN	Zr
106127-1500	BLUE/METAL DOOR	Zr
106127-0510	BEIGE/METAL DOOR	Ph. Bronze
106127-1550	GREEN/METAL DOOR	Zr



RECOMMENDED MOUNTING CUTOUT FOR .063 THICK PANEL



SECTION A-A



- NOTES:
- DUST CAPS ARE NOT SHOWN, BUT INCLUDED.
 - FOR P/N 106127-1320 LASER WARNING LABEL IS SUPPLIED UNATTACHED AND SHALL BE INSTALLED BY CUSTOMER.

ENTER DESCRIPTION EC NO: MF2009-0243 DRW:KPEVZNER CHKD: 2008/12/04 APPR:IGJMIN 2008/12/05	QUALITY SYMBOLS ▽=0 ▽=0	GENERAL TOLERANCES (UNLESS SPECIFIED)		DIMENSION STYLE IN/MM	SCALE 1:1	DESIGN UNITS INCH	THIRD ANGLE PROJECTION		
		4 PLACES ± --- ± ---	3 PLACES ± --- ± ---	2 PLACES ± --- ± ---	1 PLACE ± --- ± ---	DRAWN BY PGIBLIN	DATE 2005/10/05	TITLE LC DUPLEX ADAPTER W/SHUTTERS (STANDARD FLANGE/SC FOOT PRINT)	
		ANGULAR ±1/2°				CHECKED BY	DATE	MOLEX INCORPORATED	
		DRAFT WHERE APPLICABLE MUST REMAIN WITHIN DIMENSIONS				APPROVED BY	DATE	MATERIAL NO. SEE TABLE	DOCUMENT NO. SD-106127-XXX0
THIS DRAWING CONTAINS INFORMATION THAT IS PROPRIETARY TO MOLEX INCORPORATED AND SHOULD NOT BE USED WITHOUT WRITTEN PERMISSION									