



Chipsmall Limited consists of a professional team with an average of over 10 year of expertise in the distribution of electronic components. Based in Hongkong, we have already established firm and mutual-benefit business relationships with customers from,Europe,America and south Asia,supplying obsolete and hard-to-find components to meet their specific needs.

With the principle of “Quality Parts,Customers Priority,Honest Operation,and Considerate Service”,our business mainly focus on the distribution of electronic components. Line cards we deal with include Microchip,ALPS,ROHM,Xilinx,Pulse,ON,Everlight and Freescale. Main products comprise IC,Modules,Potentiometer,IC Socket,Relay,Connector.Our parts cover such applications as commercial,industrial, and automotives areas.

We are looking forward to setting up business relationship with you and hope to provide you with the best service and solution. Let us make a better world for our industry!



## Contact us

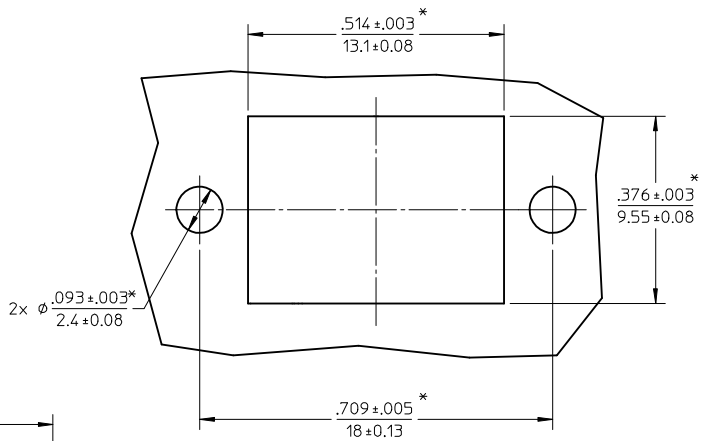
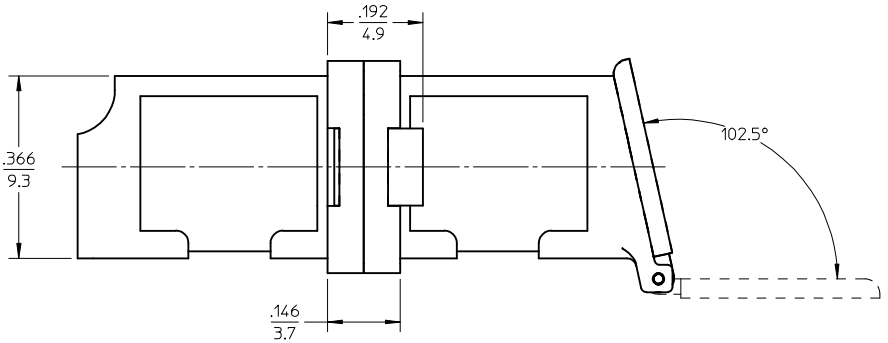
Tel: +86-755-8981 8866 Fax: +86-755-8427 6832

Email & Skype: info@chipsmall.com Web: www.chipsmall.com

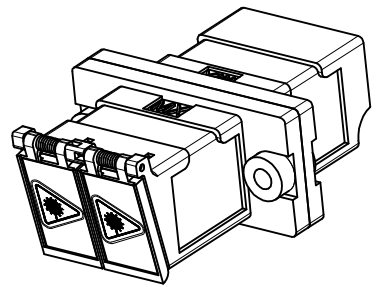
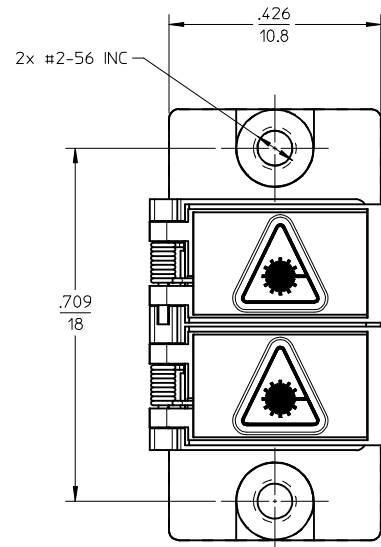
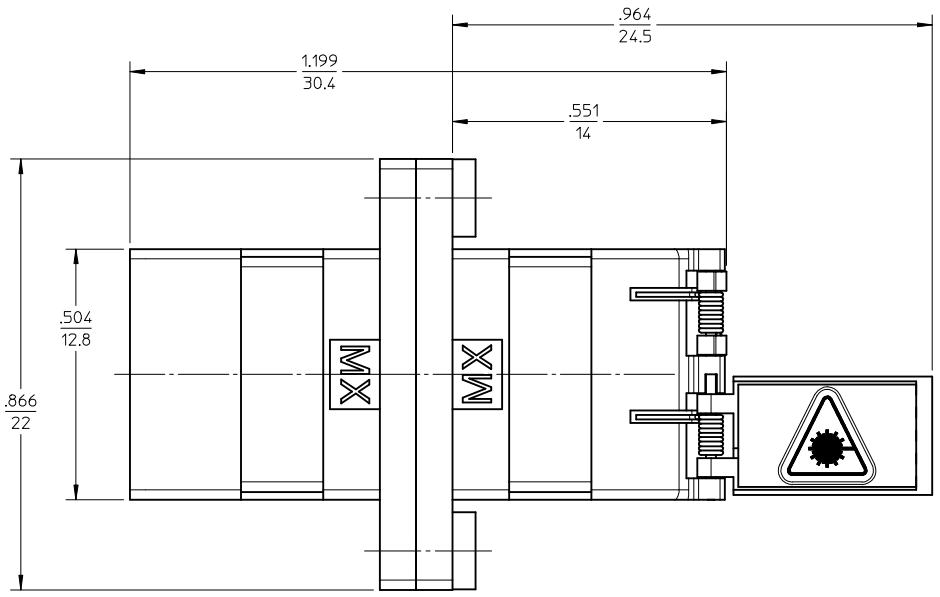
Address: A1208, Overseas Decoration Building, #122 Zhenhua RD., Futian, Shenzhen, China



10 9 8 7 6 5 4 3 2 1



RECOMMENDED MOUNTING PATTERN



NOTES:  
 1. ALL DIMENSIONS ARE FOR REFERENCE ONLY, EXCEPT WHERE MARKED WITH A \*.  
 2. DUST CAPS NOT SHOWN.

| <b>ENTER DESCRIPTION</b><br>EC NO: MF2010-0005<br>DRW:MKPEVNER 2009/07/17<br>CHKD: 2009/07/22<br>APPR:JGUMIN 2009/07/23<br>REV: A3 | QUALITY SYMBOLS<br>▽=0<br>▽=0 | GENERAL TOLERANCES (UNLESS SPECIFIED)<br><table border="1"> <tr> <th></th> <th>mm</th> <th>INCH</th> </tr> <tr> <td>4 PLACES</td> <td>± .005</td> <td>± .0005</td> </tr> <tr> <td>3 PLACES</td> <td>± .004</td> <td>± .0004</td> </tr> <tr> <td>2 PLACES</td> <td>± .003</td> <td>± .0003</td> </tr> <tr> <td>1 PLACE</td> <td>± .002</td> <td>± .0002</td> </tr> </table> |   | mm   | INCH | 4 PLACES            | ± .005 | ± .0005 | 3 PLACES | ± .004 | ± .0004 | 2 PLACES | ± .003 | ± .0003 | 1 PLACE | ± .002 | ± .0002 | DIMENSION STYLE<br>IN/MM | SCALE<br>4:1 | DESIGN UNITS<br>INCH | THIRD ANGLE PROJECTION |
|--|-------------------------------|--|---|--|------|---------------------|--------|---------|----------|--------|---------|----------|--------|---------|---------|--------|---------|--------------------------|--------------|----------------------|------------------------|
|  |                               | mm   | INCH  |  |      |                     |        |         |          |        |         |          |        |         |         |        |         |                          |              |                      |                        |
|  | 4 PLACES                      | ± .005   | ± .0005   |  |      |                     |        |         |          |        |         |          |        |         |         |        |         |                          |              |                      |                        |
|  | 3 PLACES                      | ± .004   | ± .0004   |  |      |                     |        |         |          |        |         |          |        |         |         |        |         |                          |              |                      |                        |
| 2 PLACES   | ± .003                        | ± .0003  |   |  |      |                     |        |         |          |        |         |          |        |         |         |        |         |                          |              |                      |                        |
| 1 PLACE  | ± .002                        | ± .0002  |   |  |      |                     |        |         |          |        |         |          |        |         |         |        |         |                          |              |                      |                        |
| DRAFT WHERE APPLICABLE MUST REMAIN WITHIN DIMENSIONS   | DRAWN BY<br>PGIBLIN           | DATE<br>2005/11/07   | CHECKED BY<br>DATE  | TITLE<br>METAL LC DUPLEX ADAPTER (W/ THREADED INSERTS) |      |                     |        |         |          |        |         |          |        |         |         |        |         |                          |              |                      |                        |
|  | APPROVED BY<br>DATE           | MATERIAL NO.<br>1061271890   | DOCUMENT NO.<br>SD-106127-1890  | MOLEX INCORPORATED                                     |      |                     |        |         |          |        |         |          |        |         |         |        |         |                          |              |                      |                        |
|  |                               | SIZE<br>B  | THIS DRAWING CONTAINS INFORMATION THAT IS PROPRIETARY TO MOLEX INCORPORATED AND SHOULD NOT BE USED WITHOUT WRITTEN PERMISSION |  |      | SHEET NO.<br>1 OF 1 |        |         |          |        |         |          |        |         |         |        |         |                          |              |                      |                        |

9 8 7 6 5 4 3 2 1