



Chipsmall Limited consists of a professional team with an average of over 10 year of expertise in the distribution of electronic components. Based in Hongkong, we have already established firm and mutual-benefit business relationships with customers from,Europe,America and south Asia,supplying obsolete and hard-to-find components to meet their specific needs.

With the principle of "Quality Parts,Customers Priority,Honest Operation,and Considerate Service",our business mainly focus on the distribution of electronic components. Line cards we deal with include Microchip,ALPS,ROHM,Xilinx,Pulse,ON,Everlight and Freescale. Main products comprise IC,Modules,Potentiometer,IC Socket,Relay,Connector.Our parts cover such applications as commercial,industrial, and automotives areas.

We are looking forward to setting up business relationship with you and hope to provide you with the best service and solution. Let us make a better world for our industry!



Contact us

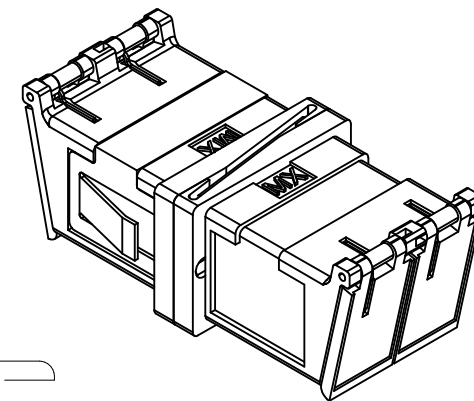
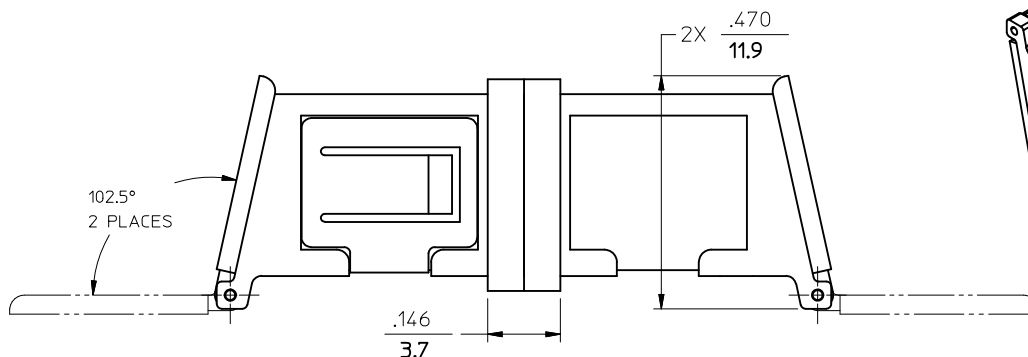
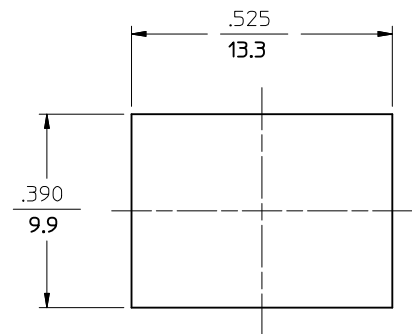
Tel: +86-755-8981 8866 Fax: +86-755-8427 6832

Email & Skype: info@chipsmall.com Web: www.chipsmall.com

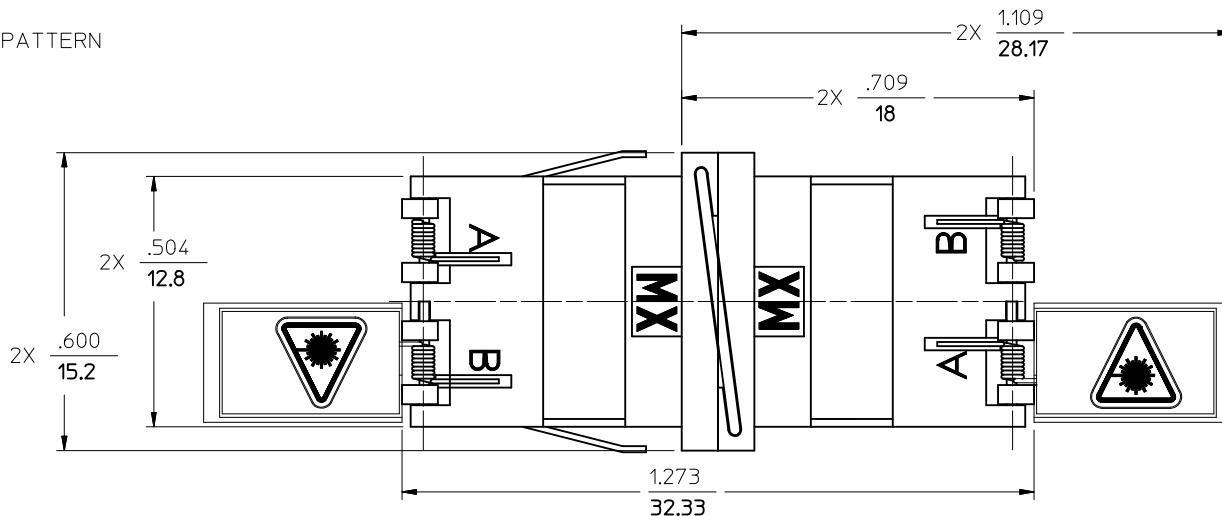
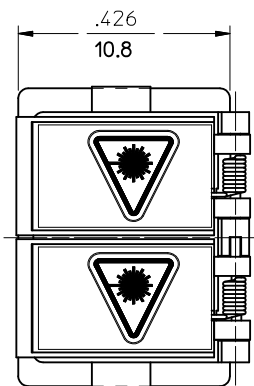
Address: A1208, Overseas Decoration Building, #122 Zhenhua RD., Futian, Shenzhen, China



10	9
LC ADAPTER ASSY. P/N	LC SLEEVE MATERIAL
106128-0690	Ph. BRONZE
106128-1690	ZR



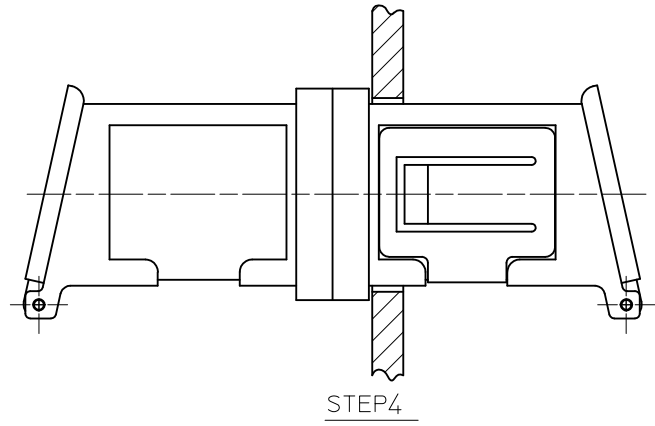
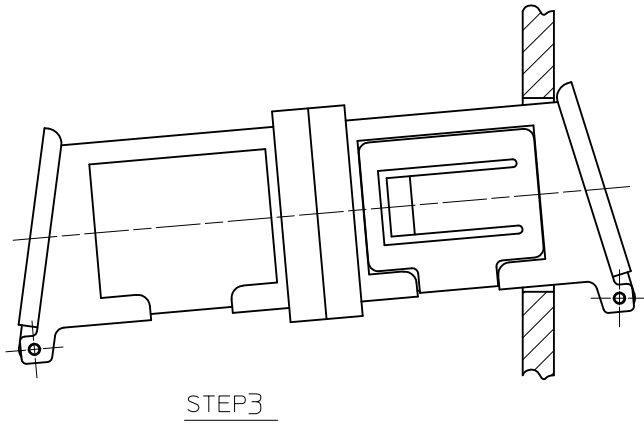
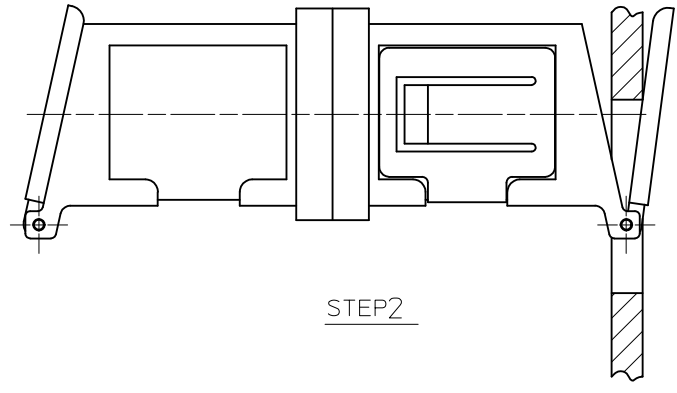
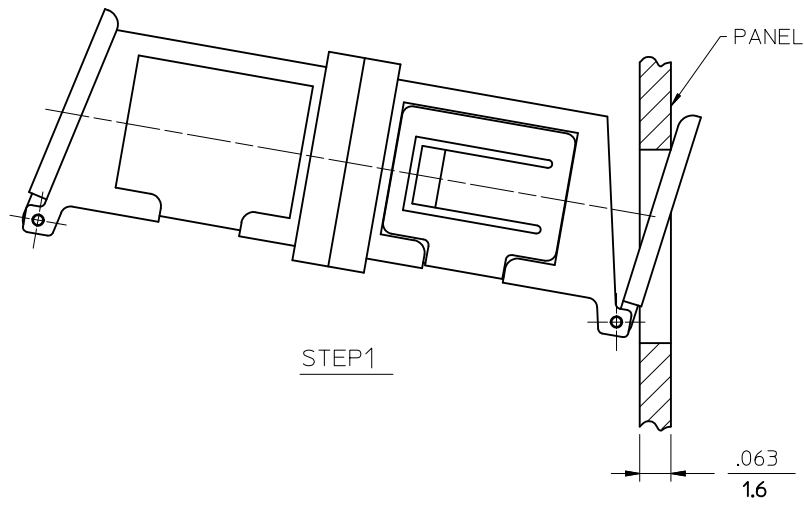
RECOMMENDED MOUNTING PATTERN
FOR $\frac{.063}{1.6}$ THICK PANEL



- NOTES:
1. ALL DIMENSIONS ARE FOR REFERENCE ONLY.
 2. USER ASSEMBLES LABELS.
 3. ADAPTERS TO BE PACKAGED IN TRAY

ENTER DESCRIPTION EC NO: MF2010-0240 DRW: MKPEVZNER 2009/12/04 CHKD: 2009/12/04 APPR: LGUMIN 2009/12/07	QUALITY SYMBOLS ▽=0 ▽7=0	GENERAL TOLERANCES (UNLESS SPECIFIED) <table border="1"> <tr> <th></th> <th>mm</th> <th>INCH</th> </tr> <tr> <td>4 PLACES</td> <td>± .005</td> <td>± .0005</td> </tr> <tr> <td>3 PLACES</td> <td>± .004</td> <td>± .0004</td> </tr> <tr> <td>2 PLACES</td> <td>± .003</td> <td>± .0003</td> </tr> <tr> <td>1 PLACE</td> <td>± .002</td> <td>± .0002</td> </tr> </table>		mm	INCH	4 PLACES	± .005	± .0005	3 PLACES	± .004	± .0004	2 PLACES	± .003	± .0003	1 PLACE	± .002	± .0002	DIMENSION STYLE IN/MM	SCALE 4:1	DESIGN UNITS INCH	THIRD ANGLE PROJECTION
		mm	INCH																		
	4 PLACES	± .005	± .0005																		
	3 PLACES	± .004	± .0004																		
2 PLACES	± .003	± .0003																			
1 PLACE	± .002	± .0002																			
DESCRIPTION A3	DRAFT WHERE APPLICABLE MUST REMAIN WITHIN DIMENSIONS	MATERIAL NO. SEE TABLE	DRAWN BY PGIBLIN	DATE 2005/10/05	TITLE LC DUPLEX ADAPTER	MOLEX INCORPORATED															
		ANGULAR ±1/2°	APPROVED BY DATE	DOCUMENT NO. SD-106128-X690	SHEET NO. 1 OF 02	THIS DRAWING CONTAINS INFORMATION THAT IS PROPRIETARY TO MOLEX INCORPORATED AND SHOULD NOT BE USED WITHOUT WRITTEN PERMISSION															
			SIZE B																		

10 9 8 7 6 5 4 3 2 1



ENTER DESCRIPTION EC NO: MF2010-0240 DRAWN: KPEVZNER CHKD: KPEVZNER APPR: IGUMIN 2009/12/04 2009/12/04 2009/12/07	QUALITY SYMBOLS ▼=0 ▽=0	GENERAL TOLERANCES (UNLESS SPECIFIED) <table border="1"> <thead> <tr> <th></th> <th>mm</th> <th>INCH</th> </tr> </thead> <tbody> <tr> <td>4 PLACES</td> <td>±---</td> <td>±---</td> </tr> <tr> <td>3 PLACES</td> <td>±---</td> <td>±---</td> </tr> <tr> <td>2 PLACES</td> <td>±---</td> <td>±---</td> </tr> <tr> <td>1 PLACE</td> <td>±---</td> <td>±---</td> </tr> </tbody> </table>		mm	INCH	4 PLACES	±---	±---	3 PLACES	±---	±---	2 PLACES	±---	±---	1 PLACE	±---	±---	DIMENSION STYLE IN/MM DRAWN BY PGIBLIN DATE 2005/10/05 CHECKED BY DATE APPROVED BY DATE	SCALE 4:1 DESIGN UNITS INCH THIRD ANGLE PROJECTION	TITLE LC DUPLEX ADAPTER
		mm	INCH																	
	4 PLACES	±---	±---																	
	3 PLACES	±---	±---																	
2 PLACES	±---	±---																		
1 PLACE	±---	±---																		
DRAFT WHERE APPLICABLE MUST REMAIN WITHIN DIMENSIONS	MATERIAL NO. 1061280690 SIZE B	MOLEX INCORPORATED DOCUMENT NO. SD-106128-X690	SHEET NO. 2 OF 02																	
THIS DRAWING CONTAINS INFORMATION THAT IS PROPRIETARY TO MOLEX INCORPORATED AND SHOULD NOT BE USED WITHOUT WRITTEN PERMISSION																				
A3																				

9 8 7 6 5 4 3 2 1