



Chipsmall Limited consists of a professional team with an average of over 10 year of expertise in the distribution of electronic components. Based in Hongkong, we have already established firm and mutual-benefit business relationships with customers from,Europe,America and south Asia,supplying obsolete and hard-to-find components to meet their specific needs.

With the principle of “Quality Parts,Customers Priority,Honest Operation,and Considerate Service”,our business mainly focus on the distribution of electronic components. Line cards we deal with include Microchip,ALPS,ROHM,Xilinx,Pulse,ON,Everlight and Freescale. Main products comprise IC,Modules,Potentiometer,IC Socket,Relay,Connector.Our parts cover such applications as commercial,industrial, and automotives areas.

We are looking forward to setting up business relationship with you and hope to provide you with the best service and solution. Let us make a better world for our industry!



Contact us

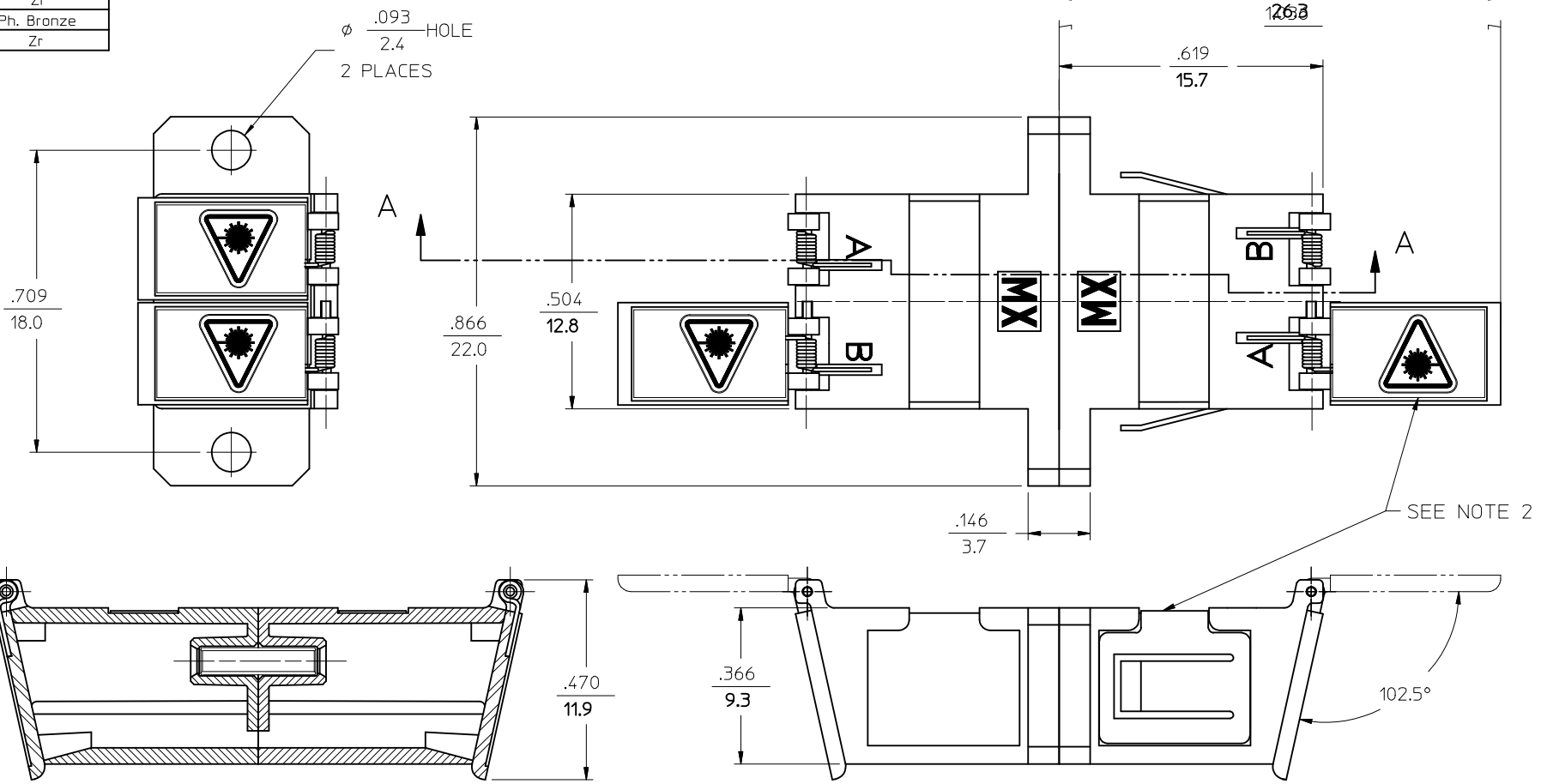
Tel: +86-755-8981 8866 Fax: +86-755-8427 6832

Email & Skype: info@chipsmall.com Web: www.chipsmall.com

Address: A1208, Overseas Decoration Building, #122 Zhenhua RD., Futian, Shenzhen, China



10	9	8	7	6	5	4	3	2	1
LC ADAPTER ASSY. P/N	COLOR	LC SLEEVE MATERIAL							
106128-1300	BLUE	Zr							
106128-0310	BEIGE	Ph. Bronze							
106128-1350	GREEN	Zr							

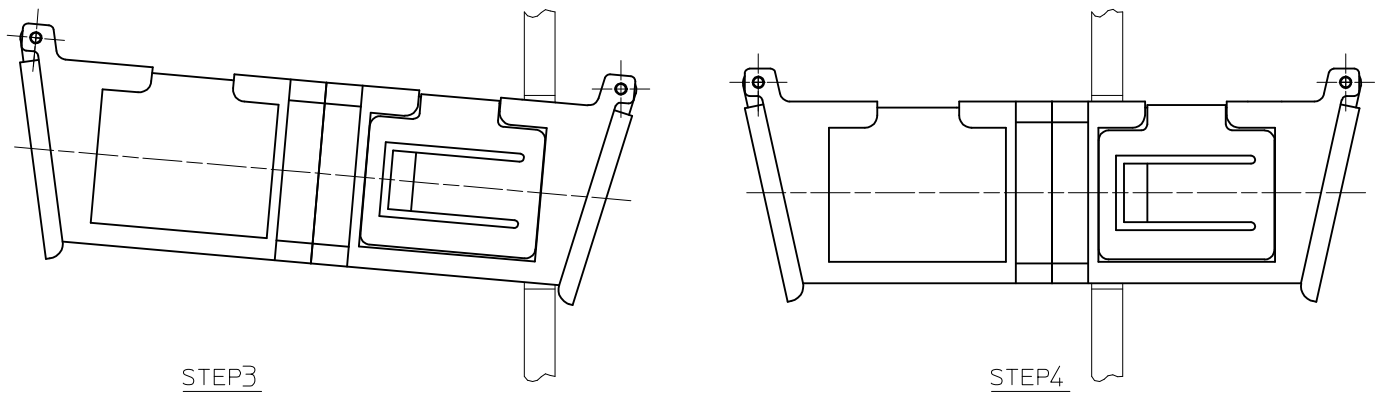
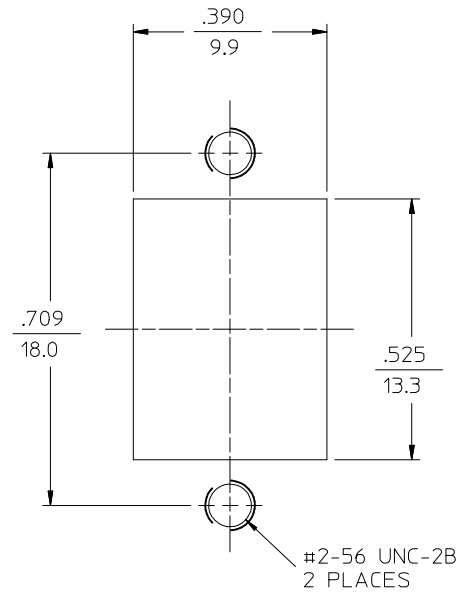
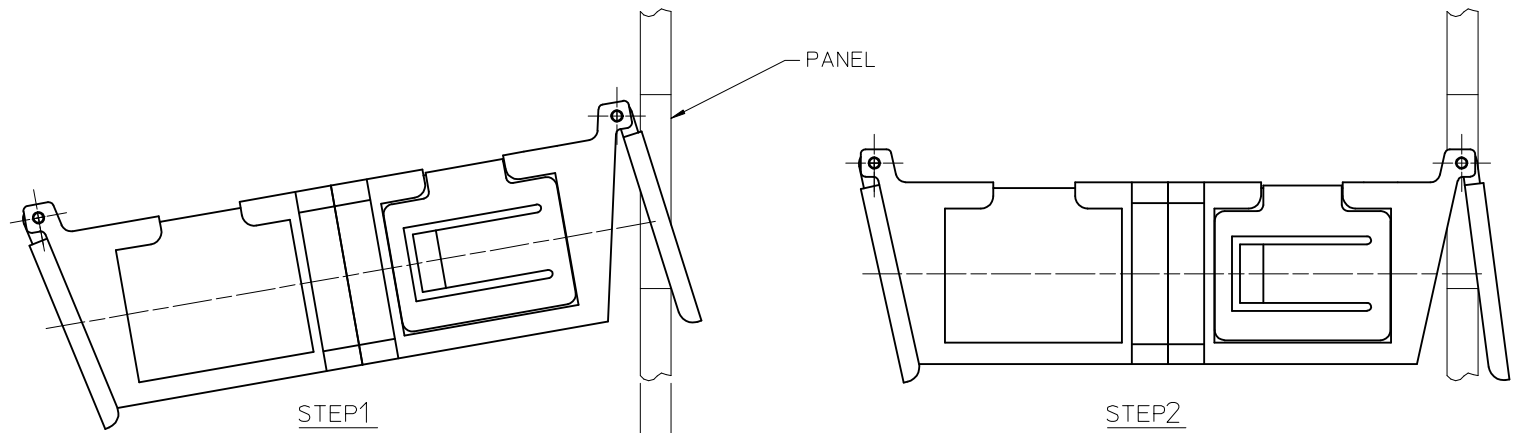


SECTION A-A

- NOTES:
1. ALL DIMENSIONS ARE FOR REFERENCE ONLY.
 2. MOUNTING PLATE AND LABELS ARE NOT ASSEMBLED. THEY ARE PACKAGED WITH ADAPTER INTO POLY BAG.

ENTER DESCRIPTION EC NO: MF2009-0243 DRW:MKPEVZNER CHKD: 2008/12/04 APPR: LGUMIN 2008/12/05	QUALITY SYMBOLS $\nabla=0$ $\sphericalangle=0$	GENERAL TOLERANCES (UNLESS SPECIFIED) <table border="1"> <tr> <th></th> <th>mm</th> <th>INCH</th> </tr> <tr> <td>4 PLACES</td> <td>$\pm .005$</td> <td>$\pm .0004$</td> </tr> <tr> <td>3 PLACES</td> <td>$\pm .004$</td> <td>$\pm .0003$</td> </tr> <tr> <td>2 PLACES</td> <td>$\pm .003$</td> <td>$\pm .0002$</td> </tr> <tr> <td>1 PLACE</td> <td>$\pm .002$</td> <td>$\pm .0001$</td> </tr> </table>		mm	INCH	4 PLACES	$\pm .005$	$\pm .0004$	3 PLACES	$\pm .004$	$\pm .0003$	2 PLACES	$\pm .003$	$\pm .0002$	1 PLACE	$\pm .002$	$\pm .0001$	DIMENSION STYLE IN/MM DRAWN BY: PGIBLIN DATE: 2005/10/05 CHECKED BY: _____ DATE: _____ APPROVED BY: _____ DATE: _____	SCALE 1:1 DESIGN UNITS INCH THIRD ANGLE PROJECTION	TITLE LC DX. ADAP. 2 SIDES W/ SHUT. (ST. FL./SC FT.)
		mm	INCH																	
	4 PLACES	$\pm .005$	$\pm .0004$																	
	3 PLACES	$\pm .004$	$\pm .0003$																	
2 PLACES	$\pm .003$	$\pm .0002$																		
1 PLACE	$\pm .002$	$\pm .0001$																		
REVISIONS A1	DRAFT WHERE APPLICABLE MUST REMAIN WITHIN DIMENSIONS	MATERIAL NO. SEE TABLE	APPROVED BY DATE	MOLEX INCORPORATED	DOCUMENT NO. SD-106128-X3X0															
		SIZE B	THIS DRAWING CONTAINS INFORMATION THAT IS PROPRIETARY TO MOLEX INCORPORATED AND SHOULD NOT BE USED WITHOUT WRITTEN PERMISSION	SHEET NO. 1 OF 02																

10 9 8 7 6 5 4 3 2 1



RECOMMENDED MOUNTING CUTOUT
FOR $\frac{.063}{1.6}$ THICK PANEL

ENTER DESCRIPTION EC NO: MF2009-0243 DR: MANKPEVNER CHKD: 2008/12/04 APPR: LGUMIN 2008/12/05 A1	QUALITY SYMBOLS ▽=0 ▽=0	GENERAL TOLERANCES (UNLESS SPECIFIED) <table border="1"> <tr> <td></td> <td>mm</td> <td>INCH</td> </tr> <tr> <td>4 PLACES</td> <td>±---</td> <td>±---</td> </tr> <tr> <td>3 PLACES</td> <td>±---</td> <td>±---</td> </tr> <tr> <td>2 PLACES</td> <td>±---</td> <td>±---</td> </tr> <tr> <td>1 PLACE</td> <td>±---</td> <td>±---</td> </tr> </table>		mm	INCH	4 PLACES	±---	±---	3 PLACES	±---	±---	2 PLACES	±---	±---	1 PLACE	±---	±---	DIMENSION STYLE IN/MM DRAWN BY: PGIBLIN DATE: 2005/10/05 CHECKED BY: _____ DATE: _____ APPROVED BY: _____ DATE: _____	SCALE: 1:1 DESIGN UNITS: INCH THIRD ANGLE PROJECTION
		mm	INCH																
	4 PLACES	±---	±---																
	3 PLACES	±---	±---																
	2 PLACES	±---	±---																
1 PLACE	±---	±---																	
DRAFT WHERE APPLICABLE MUST REMAIN WITHIN DIMENSIONS	MATERIAL NO. SEE TABLE SIZE B	TITLE: LC DX. ADAP. 2 SIDES W/ SHUT. (ST. FL./SC FT.) MOLEX INCORPORATED DOCUMENT NO. SD-106128-X3X0	SHEET NO. 2 OF 02																
THIS DRAWING CONTAINS INFORMATION THAT IS PROPRIETARY TO MOLEX INCORPORATED AND SHOULD NOT BE USED WITHOUT WRITTEN PERMISSION																			

9 8 7 6 5 4 3 2 1