



Chipsmall Limited consists of a professional team with an average of over 10 year of expertise in the distribution of electronic components. Based in Hongkong, we have already established firm and mutual-benefit business relationships with customers from,Europe,America and south Asia,supplying obsolete and hard-to-find components to meet their specific needs.

With the principle of “Quality Parts,Customers Priority,Honest Operation,and Considerate Service”,our business mainly focus on the distribution of electronic components. Line cards we deal with include Microchip,ALPS,ROHM,Xilinx,Pulse,ON,Everlight and Freescale. Main products comprise IC,Modules,Potentiometer,IC Socket,Relay,Connector.Our parts cover such applications as commercial,industrial, and automotives areas.

We are looking forward to setting up business relationship with you and hope to provide you with the best service and solution. Let us make a better world for our industry!



## Contact us

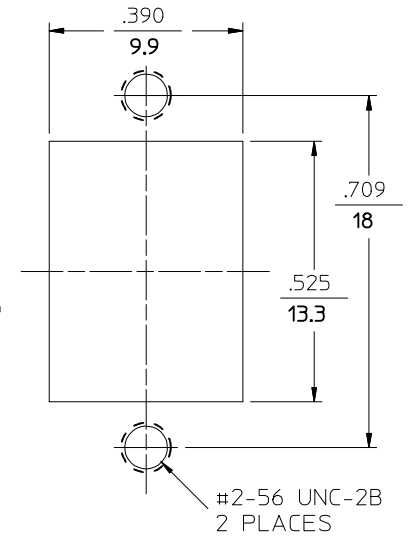
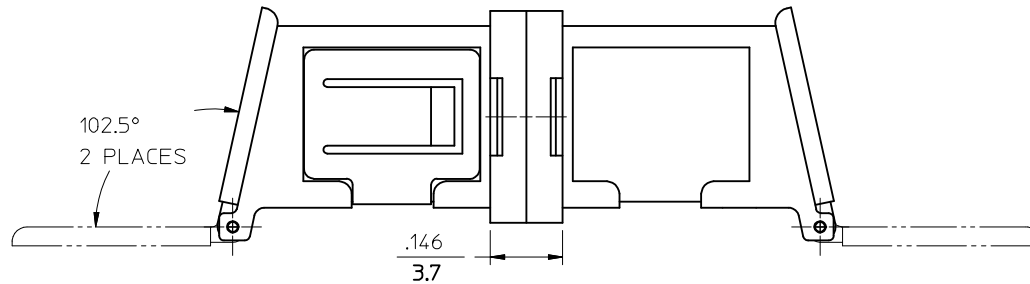
Tel: +86-755-8981 8866 Fax: +86-755-8427 6832

Email & Skype: info@chipsmall.com Web: www.chipsmall.com

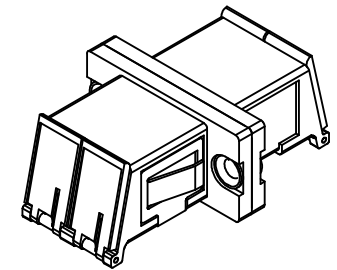
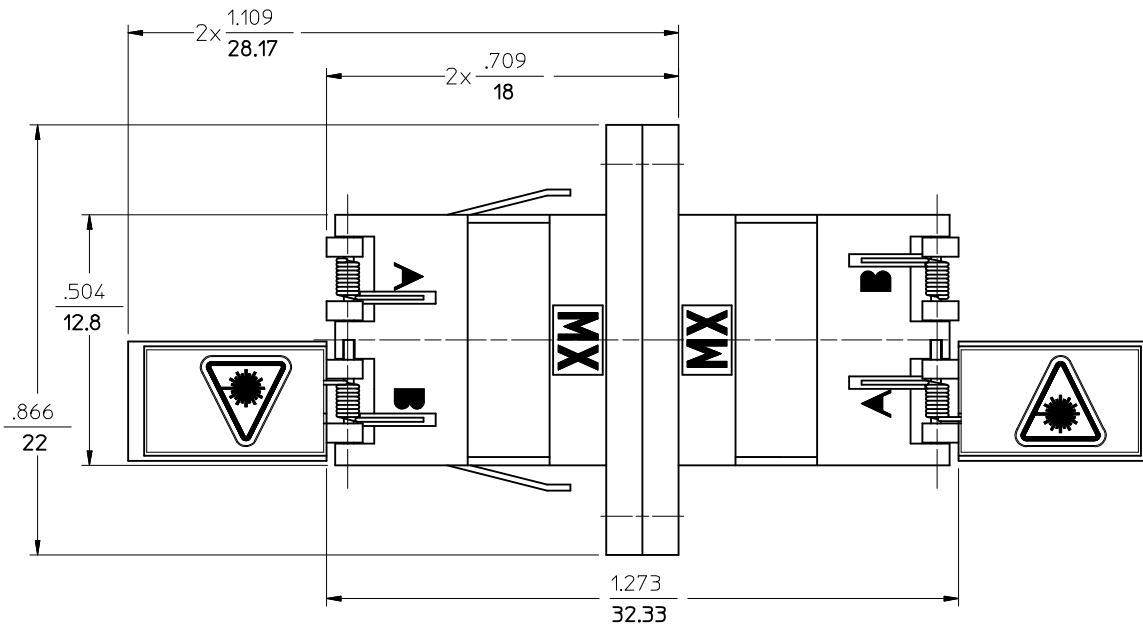
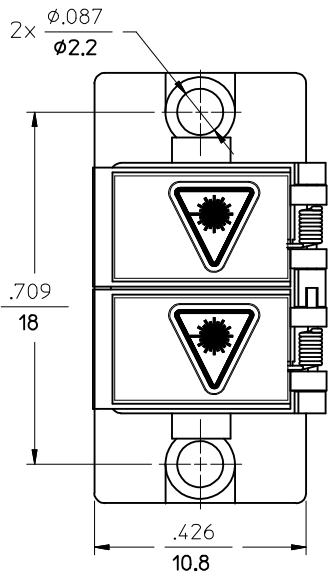
Address: A1208, Overseas Decoration Building, #122 Zhenhua RD., Futian, Shenzhen, China



10	9
LC ADAPTER ASSY. P/N	LC SLEEVE MATERIAL
106128-0590	PH. BRONZE
106128-1590	ZR



RECOMMENDED MOUNTING CUTOUT FOR .063 THICK PANEL

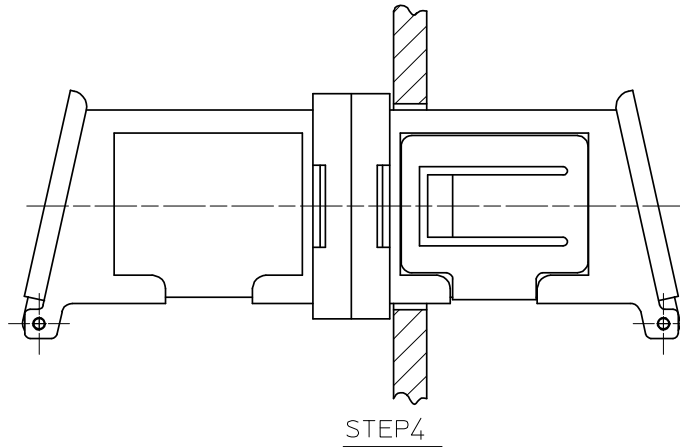
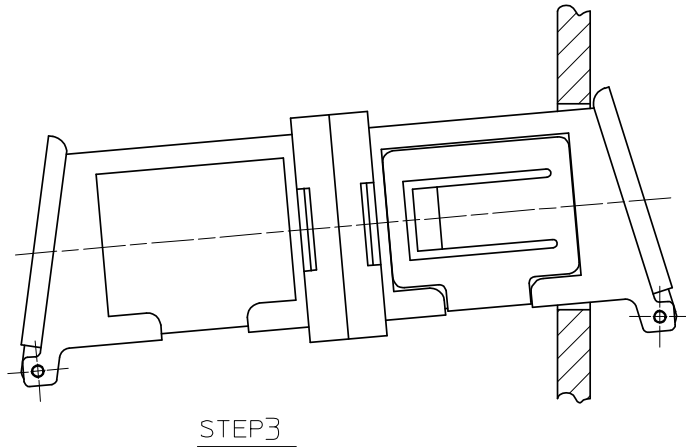
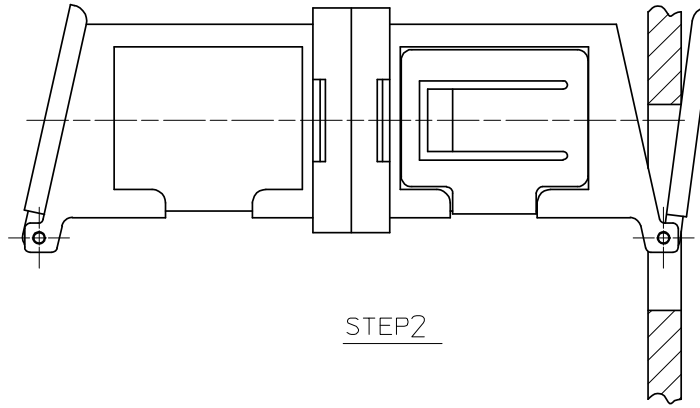
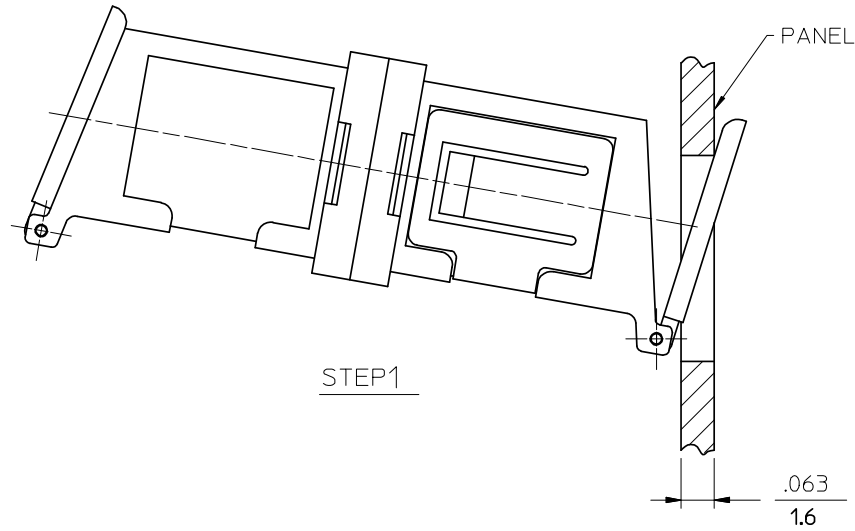


NOTES:

- ADAPTERS TO BE PACKAGED IN TRAY.

<b>ENTER DESCRIPTION</b> EC NO: MF2010-0005 DRW:MKPEVZNER 2009/07/17 CHKD: 2009/07/22 APPR: LGUMIN 2009/07/23 REV: A3	<b>QUALITY SYMBOLS</b> $\nabla=0$ $\nabla=0$	<b>GENERAL TOLERANCES (UNLESS SPECIFIED)</b> <table border="1"> <thead> <tr> <th></th> <th>mm</th> <th>INCH</th> </tr> </thead> <tbody> <tr> <td>4 PLACES</td> <td>± .005</td> <td>± .0004</td> </tr> <tr> <td>3 PLACES</td> <td>± .003</td> <td>± .0002</td> </tr> <tr> <td>2 PLACES</td> <td>± .002</td> <td>± .0001</td> </tr> <tr> <td>1 PLACE</td> <td>± .001</td> <td>± .00005</td> </tr> </tbody> </table>		mm	INCH	4 PLACES	± .005	± .0004	3 PLACES	± .003	± .0002	2 PLACES	± .002	± .0001	1 PLACE	± .001	± .00005	<b>DIMENSION STYLE</b> IN/MM	<b>SCALE</b> 4:1	<b>DESIGN UNITS</b> INCH	<b>THIRD ANGLE PROJECTION</b>
		mm	INCH																		
	4 PLACES	± .005	± .0004																		
	3 PLACES	± .003	± .0002																		
2 PLACES	± .002	± .0001																			
1 PLACE	± .001	± .00005																			
DRAFT WHERE APPLICABLE MUST REMAIN WITHIN DIMENSIONS		<table border="1"> <tr> <td>DRAWN BY</td> <td>DATE</td> </tr> <tr> <td>PGIBLIN</td> <td>2005/10/05</td> </tr> <tr> <td>CHECKED BY</td> <td>DATE</td> </tr> <tr> <td>APPROVED BY</td> <td>DATE</td> </tr> </table>	DRAWN BY	DATE	PGIBLIN	2005/10/05	CHECKED BY	DATE	APPROVED BY	DATE	<b>TITLE</b> METAL LC DUPLEX ADAPTER	<b>MOLEX INCORPORATED</b>		<b>SHEET NO.</b> 1 OF 2							
DRAWN BY	DATE																				
PGIBLIN	2005/10/05																				
CHECKED BY	DATE																				
APPROVED BY	DATE																				
<b>MATERIAL NO.</b> SEE TABLE		<b>DOCUMENT NO.</b> SD-106128-X590	THIS DRAWING CONTAINS INFORMATION THAT IS PROPRIETARY TO MOLEX INCORPORATED AND SHOULD NOT BE USED WITHOUT WRITTEN PERMISSION																		

10 9 8 7 6 5 4 3 2 1



ENTER DESCRIPTION E.C. NO: MF2009-0058 DRAWN: KPEVZNER CHKD: 2008/08/06 APPR: IGUMIN 2008/08/07	QUALITY SYMBOLS ▽=0 ▽=0	GENERAL TOLERANCES (UNLESS SPECIFIED)		DIMENSION STYLE IN/MM	SCALE 4:1	DESIGN UNITS INCH	THIRD ANGLE PROJECTION	
		4 PLACES ±--- ±--- 3 PLACES ±--- ±--- 2 PLACES ±--- ±--- 1 PLACE ±--- ±---	DRAWN BY PGIBLIN	DATE 2005/10/05	TITLE METAL LC DUPLEX ADAPTER			
		ANGULAR ±1/2°	CHECKED BY DATE		APPROVED BY DATE			
		DRAFT WHERE APPLICABLE MUST REMAIN WITHIN DIMENSIONS	MATERIAL NO. 1061280590		DOCUMENT NO. SD-106128-X590		SHEET NO. 2 OF 2	
	A2		SIZE B		THIS DRAWING CONTAINS INFORMATION THAT IS PROPRIETARY TO MOLEX INCORPORATED AND SHOULD NOT BE USED WITHOUT WRITTEN PERMISSION			

9 8 7 6 5 4 3 2 1