



Chipsmall Limited consists of a professional team with an average of over 10 year of expertise in the distribution of electronic components. Based in Hongkong, we have already established firm and mutual-benefit business relationships with customers from,Europe,America and south Asia,supplying obsolete and hard-to-find components to meet their specific needs.

With the principle of "Quality Parts,Customers Priority,Honest Operation,and Considerate Service",our business mainly focus on the distribution of electronic components. Line cards we deal with include Microchip,ALPS,ROHM,Xilinx,Pulse,ON,Everlight and Freescale. Main products comprise IC,Modules,Potentiometer,IC Socket,Relay,Connector.Our parts cover such applications as commercial,industrial, and automotives areas.

We are looking forward to setting up business relationship with you and hope to provide you with the best service and solution. Let us make a better world for our industry!



## Contact us

Tel: +86-755-8981 8866 Fax: +86-755-8427 6832

Email & Skype: info@chipsmall.com Web: www.chipsmall.com

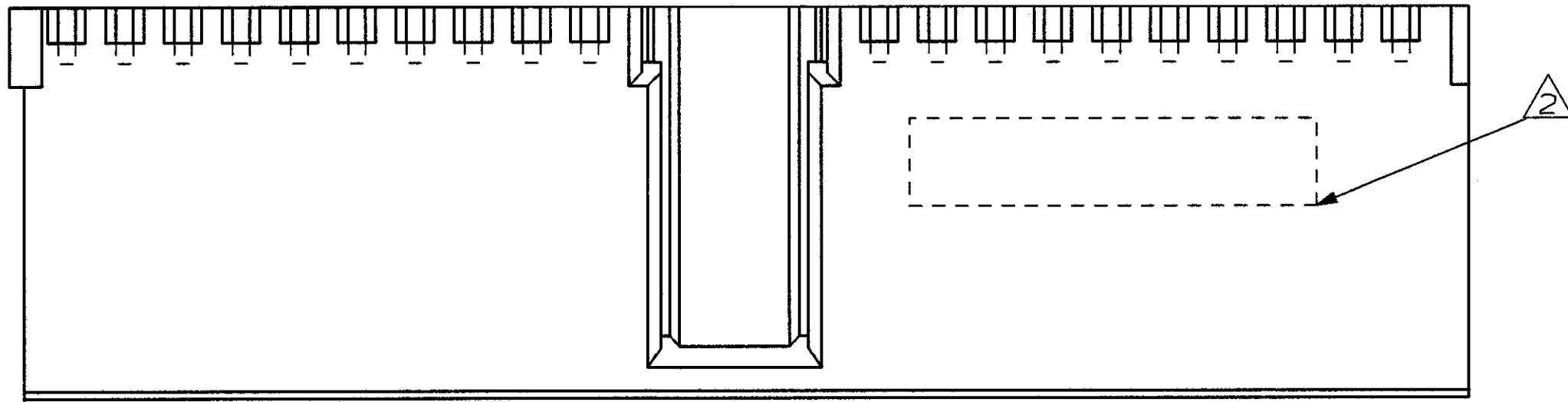
Address: A1208, Overseas Decoration Building, #122 Zhenhua RD., Futian, Shenzhen, China



DO NOT SCALE  
DIMENSIONS IN mm

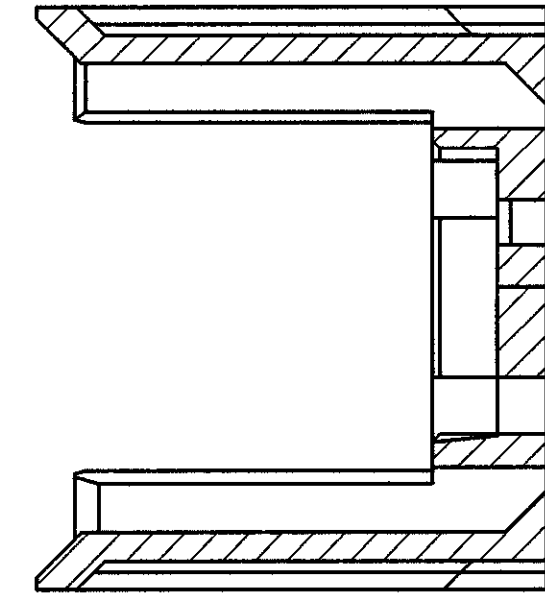
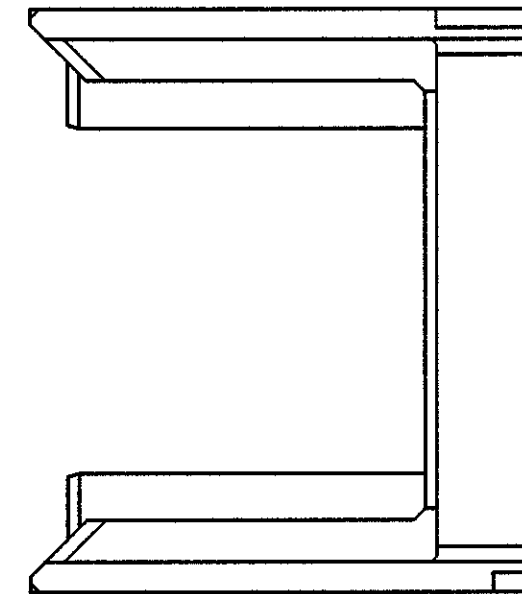
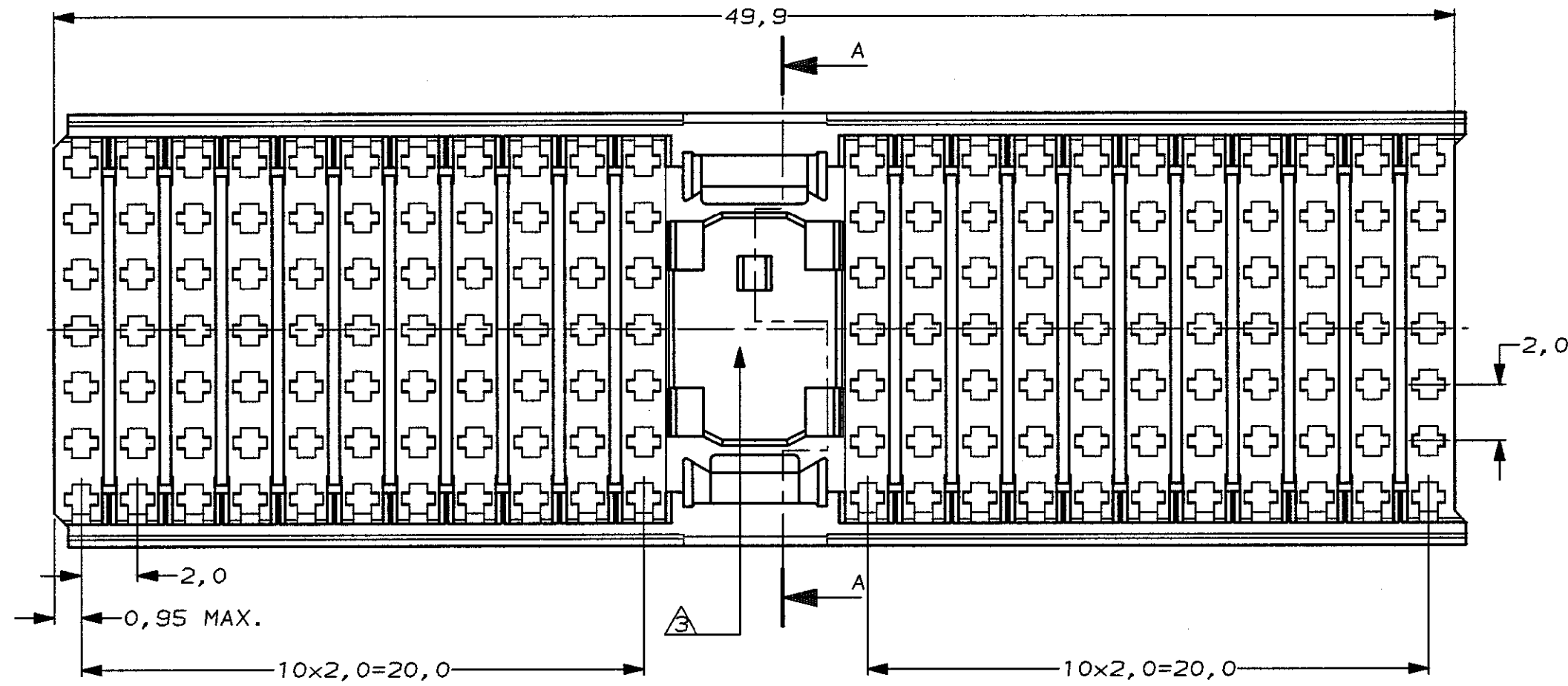
METRIC

THIRD ANGLE  
PROJECTION

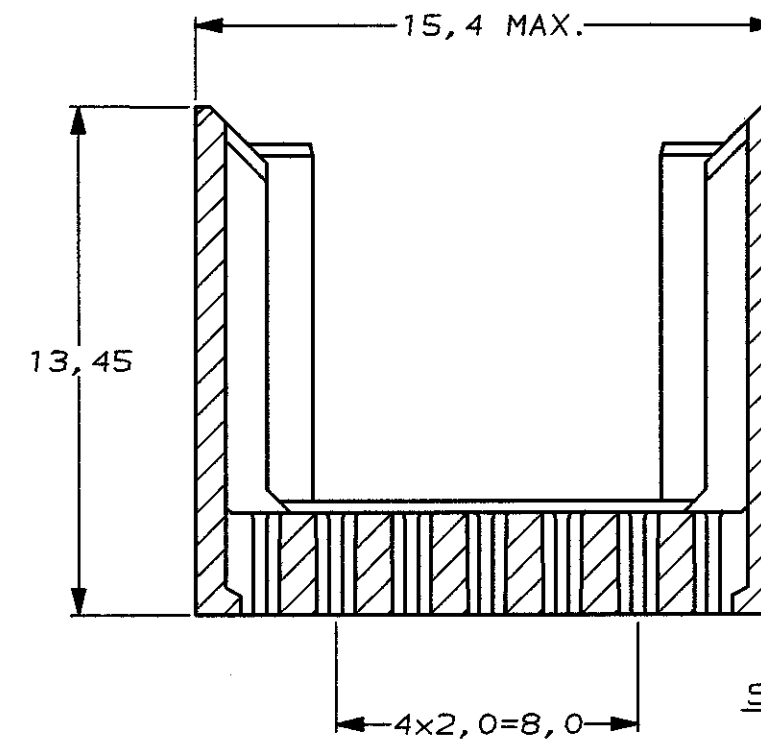
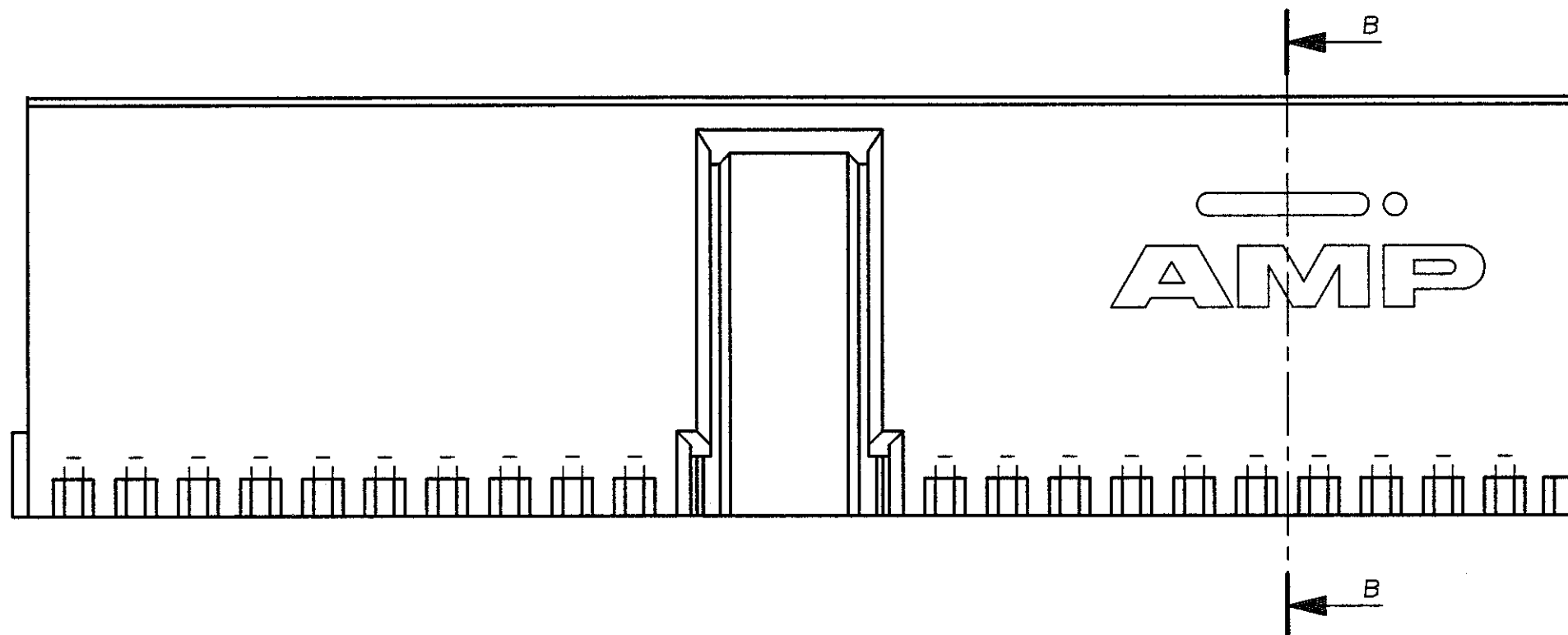


NOTES:

- 1 MATERIAL HOUSING: GLASSFILLED POLYESTER.
- 2 HOUSING PRINTED WITH PARTNUMBER AND DATE CODE.
- 3 AREA RESERVED FOR KEYING PART (BASIC P.N. 100525).



SECTION A-A



SECTION B-B

106137-2 AS SHOWN

FINISH		MATERIAL		PARTNUMBER	
-	-	-	-	CUSTOMER DRAWING FOR REFERENCE ONLY WILL NOT BE UPDATED	
© COPYRIGHT 1996 BY AMP-HOLLAND B.V. ALL INTERNATIONAL RIGHTS RESERVED. AMP PRODUCTS MAY BE COVERED BY U.S. AND FOREIGN AND/OR PATENTS PENDING.					
THIS DRAWING IS UNPUBLISHED AND/OR PATENTS PENDING. RELEASED FOR PUBLICATION					
C	EH-0764-96	DT	Fvk	21-JUN-96	
B	EH-0238-93	LvdH	DS	2 JUNE '93	
A	EH-0081-93	S.M.	-	04-02-93	
O	H-10164	JvL	TS	30-11-92	
LTR. REVISION RECORD		DR.	CHK.	DATE	
DR.:	D. TRUREN	CHK.:	F. KONINGSBERG	APP.:	B. MOOIJ
DATE:	21-JUN-96	DATE:	21-JUN-96	DATE:	6-9-96
DWG. No. C-106137		REV. LTR. C		SHEET 1 OF 1 A2	