



Chipsmall Limited consists of a professional team with an average of over 10 year of expertise in the distribution of electronic components. Based in Hongkong, we have already established firm and mutual-benefit business relationships with customers from,Europe,America and south Asia,supplying obsolete and hard-to-find components to meet their specific needs.

With the principle of “Quality Parts,Customers Priority,Honest Operation,and Considerate Service”,our business mainly focus on the distribution of electronic components. Line cards we deal with include Microchip,ALPS,ROHM,Xilinx,Pulse,ON,Everlight and Freescale. Main products comprise IC,Modules,Potentiometer,IC Socket,Relay,Connector.Our parts cover such applications as commercial,industrial, and automotives areas.

We are looking forward to setting up business relationship with you and hope to provide you with the best service and solution. Let us make a better world for our industry!



Contact us

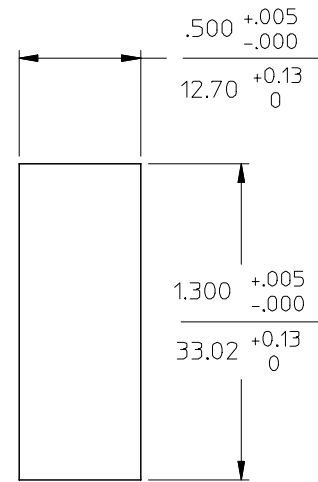
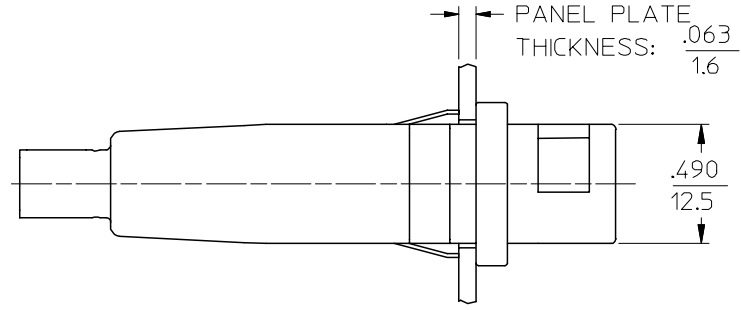
Tel: +86-755-8981 8866 Fax: +86-755-8427 6832

Email & Skype: info@chipsmall.com Web: www.chipsmall.com

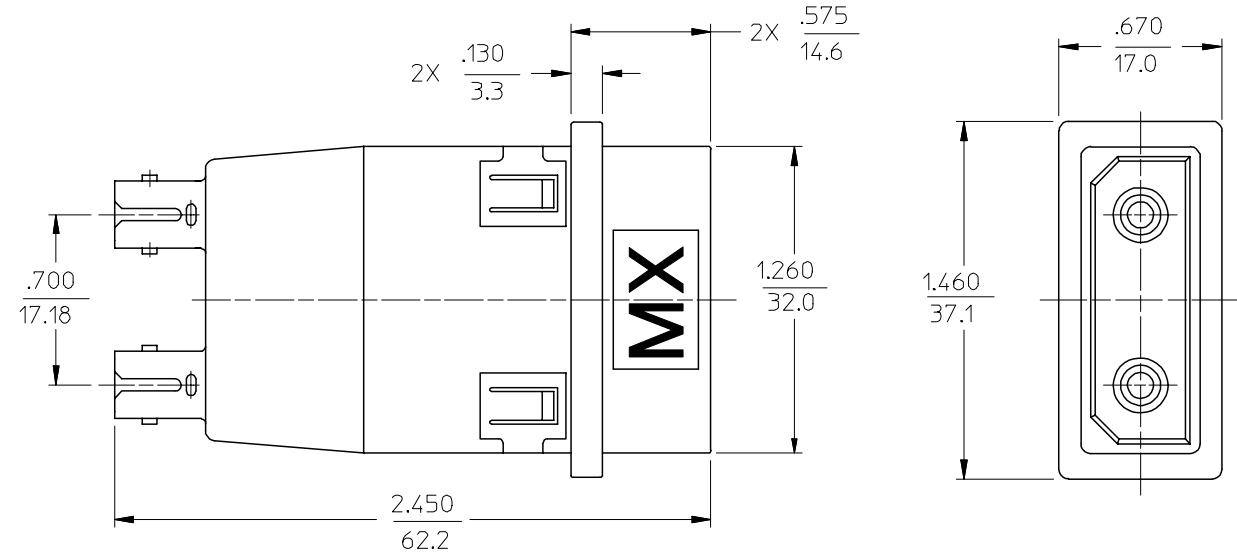
Address: A1208, Overseas Decoration Building, #122 Zhenhua RD., Futian, Shenzhen, China



P/N of ADAPTER	MATERIAL of SLEEVE	COLOR of DUST CAP & DUST COVER
106140-0000	CERAMIC	BLACK
106143-0000	PLASTIC	RED



RECOMMENDED MOUNTING HOLE



ENTER DESCRIPTION	QUALITY SYMBOLS
EC NO: MF2006-0283	▽=0
DRWN:PGIBLIN 2005/11/28	▽=0
CHKD: 2005/11/28	
APPR:IGUMIN 2005/11/28	
REV	DESCRIPTION
A	

GENERAL TOLERANCES (UNLESS SPECIFIED)
4 PLACES ± --- ± ---
3 PLACES ± --- ± ---
2 PLACES ± --- ± ---
1 PLACE ± --- ± ---
ANGULAR ±1/2°

DIMENSION STYLE	SCALE	DESIGN UNITS	THIRD ANGLE PROJECTION
IN/MM	2:1	INCH	
DRAWN BY	DATE	TITLE	
PGIBLIN	2005/10/26	ST-ESCON ADAPTER (SMALL FLANGE)	
CHECKED BY	DATE	MOLEX INCORPORATED	
APPROVED BY	DATE	MATERIAL NO.	DOCUMENT NO.
		SEE TABLE	SD-10614X-0000
		SIZE	SHEET NO.
		B	1 OF 01

DRAFT WHERE APPLICABLE MUST REMAIN WITHIN DIMENSIONS	
THIS DRAWING CONTAINS INFORMATION THAT IS PROPRIETARY TO MOLEX INCORPORATED AND SHOULD NOT BE USED WITHOUT WRITTEN PERMISSION	