



Chipsmall Limited consists of a professional team with an average of over 10 year of expertise in the distribution of electronic components. Based in Hongkong, we have already established firm and mutual-benefit business relationships with customers from,Europe,America and south Asia,supplying obsolete and hard-to-find components to meet their specific needs.

With the principle of “Quality Parts,Customers Priority,Honest Operation,and Considerate Service”,our business mainly focus on the distribution of electronic components. Line cards we deal with include Microchip,ALPS,ROHM,Xilinx,Pulse,ON,Everlight and Freescale. Main products comprise IC,Modules,Potentiometer,IC Socket,Relay,Connector.Our parts cover such applications as commercial,industrial, and automotives areas.

We are looking forward to setting up business relationship with you and hope to provide you with the best service and solution. Let us make a better world for our industry!



Contact us

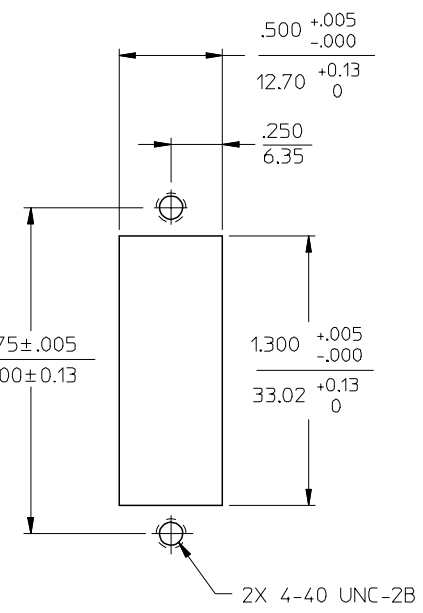
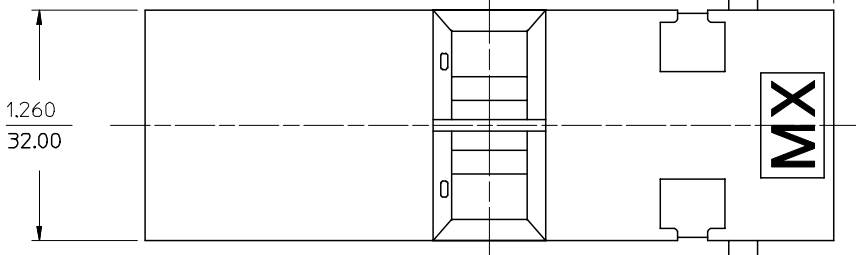
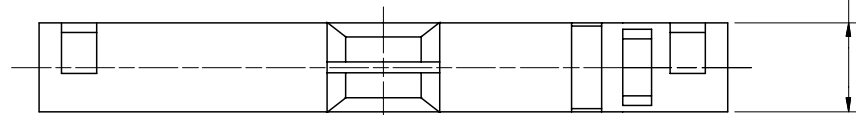
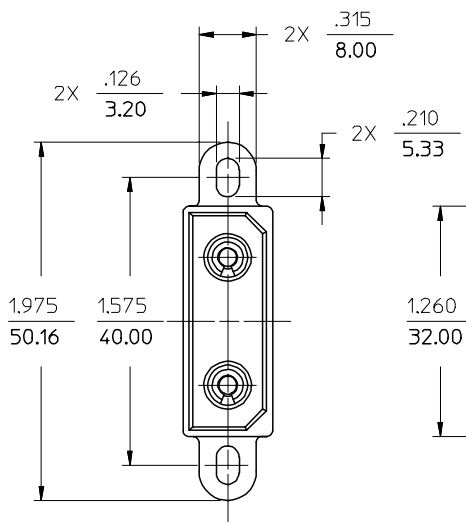
Tel: +86-755-8981 8866 Fax: +86-755-8427 6832

Email & Skype: info@chipsmall.com Web: www.chipsmall.com

Address: A1208, Overseas Decoration Building, #122 Zhenhua RD., Futian, Shenzhen, China

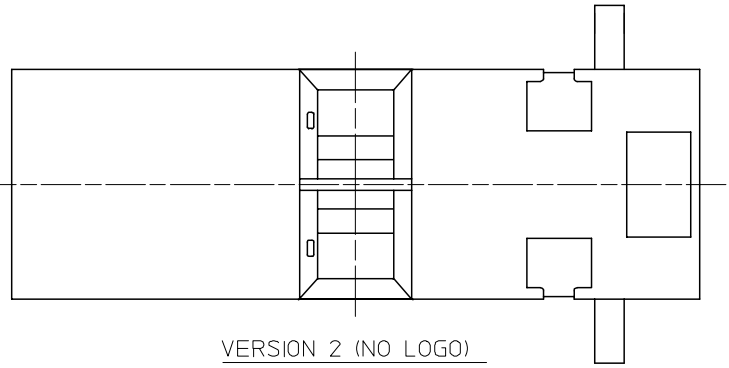


P/N OF ADAPTER	MATERIAL OF SLEEVE	VERSION
106140-2300	CERAMIC	1
106142-2300	PHOS. BRONZE	
106197-0700	CERAMIC	2



VERSION 1 (LOGO)

RECOMMENDED MOUNTING PATTERN



VERSION 2 (NO LOGO)

NOTES :
1. ALL DIMENSIONS ARE FOR REFERENCE ONLY.

ENTER DESCRIPTION	EC NO: MF2006-0767
	DRW: DBAL TRUKONI S2006/05/22
	CHKD: 2006/05/22
	APPR: IGUMIN 2006/05/24
REV	DESCRIPTION

QUALITY SYMBOLS	▽=0
	▽=0

GENERAL TOLERANCES (UNLESS SPECIFIED)	
	mm INCH
4 PLACES	± .005 ± .0005
3 PLACES	± .005 ± .0005
2 PLACES	± .005 ± .0005
1 PLACE	± .005 ± .0005
ANGULAR ±1/2°	
DRAFT WHERE APPLICABLE MUST REMAIN WITHIN DIMENSIONS	

DIMENSION STYLE	
IN/MM	
DRAWN BY	DATE
PGIBL IN	2005/10/26
CHECKED BY	DATE
APPROVED BY	DATE
MATERIAL NO.	DOCUMENT NO.
SEE TABLE	SD-1061YY-YY00
SIZE	
B	

SCALE	DESIGN UNITS	THIRD ANGLE PROJECTION
1.5:1	INCH	
TITLE		
ESCON-ESCON ADAPTER		
MOLLEX MOLEX INCORPORATED		
SHEET NO.		
1 OF 01		