



Chipsmall Limited consists of a professional team with an average of over 10 year of expertise in the distribution of electronic components. Based in Hongkong, we have already established firm and mutual-benefit business relationships with customers from,Europe,America and south Asia,supplying obsolete and hard-to-find components to meet their specific needs.

With the principle of “Quality Parts,Customers Priority,Honest Operation,and Considerate Service”,our business mainly focus on the distribution of electronic components. Line cards we deal with include Microchip,ALPS,ROHM,Xilinx,Pulse,ON,Everlight and Freescale. Main products comprise IC,Modules,Potentiometer,IC Socket,Relay,Connector.Our parts cover such applications as commercial,industrial, and automotives areas.

We are looking forward to setting up business relationship with you and hope to provide you with the best service and solution. Let us make a better world for our industry!



## Contact us

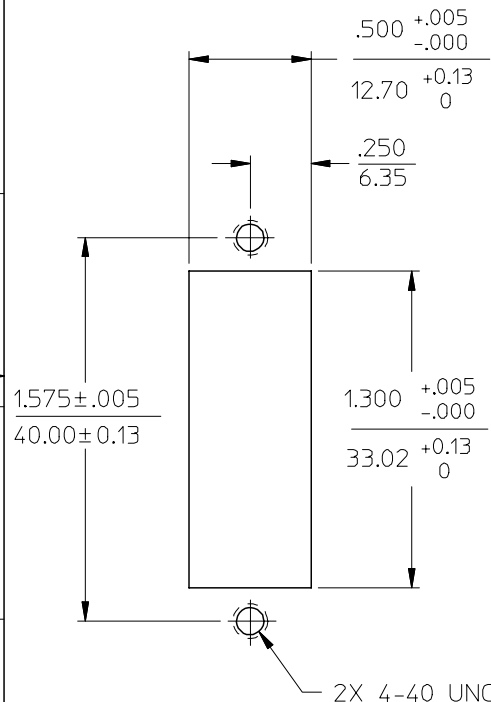
Tel: +86-755-8981 8866 Fax: +86-755-8427 6832

Email & Skype: info@chipsmall.com Web: www.chipsmall.com

Address: A1208, Overseas Decoration Building, #122 Zhenhua RD., Futian, Shenzhen, China

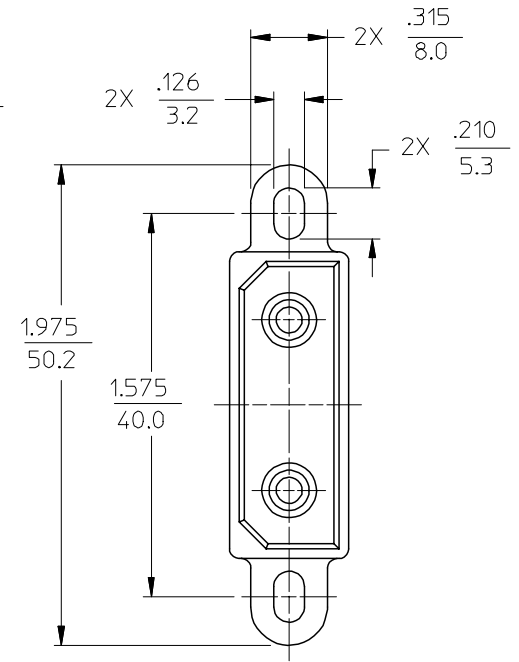
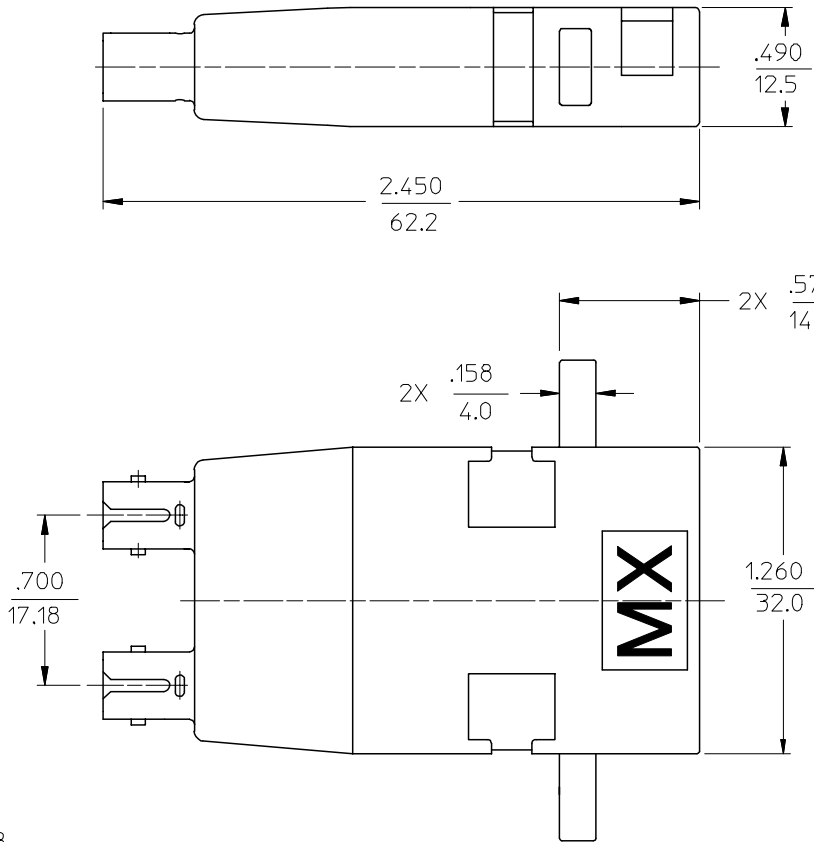


10	9	8	7	6	5	4	3	2	1
P/N of ADAPTER	MATERIAL of SLEEVE	COLOR of DUST CAP & DUST COVER							
106140-0300	CERAMIC	BLACK							
106143-0300	PLASTIC	RED							



RECOMMENDED MOUNTING HOLE

NOTES:  
1. ALL DIMENSIONS ARE FOR REFERENCE ONLY EXCEPT THOSE ON MOUNTING HOLE.



ENTER DESCRIPTION EC NO: MF2006-0283 DRWN: PGIBL IN 2005/11/28 CHKD: 2005/11/28 APPR: IGUMIN 2005/11/28 A	QUALITY SYMBOLS ▽=0 ▽=0	GENERAL TOLERANCES (UNLESS SPECIFIED)		DIMENSION STYLE	SCALE	DESIGN UNITS	THIRD ANGLE PROJECTION	
		mm	INCH	IN/MM	2:1	INCH		
		4 PLACES ± --- ± ---		DRAWN BY	DATE	TITLE		
		3 PLACES ± --- ± ---		PGIBL IN	2005/10/26	ST-ESCON ADAPTER (SCREW MOUNT)		
2 PLACES ± --- ± ---		CHECKED BY	DATE	MATERIAL NO.				
1 PLACE ± --- ± ---		APPROVED BY	DATE	DOCUMENT NO.				
ANGULAR ±1/2°		DRAFT WHERE APPLICABLE MUST REMAIN WITHIN DIMENSIONS		SEE TABLE		SD-10614X-0300		
				SIZE	THIS DRAWING CONTAINS INFORMATION THAT IS PROPRIETARY TO MOLEX INCORPORATED AND SHOULD NOT BE USED WITHOUT WRITTEN PERMISSION			
				B	1 OF 01			