



Chipsmall Limited consists of a professional team with an average of over 10 year of expertise in the distribution of electronic components. Based in Hongkong, we have already established firm and mutual-benefit business relationships with customers from,Europe,America and south Asia,supplying obsolete and hard-to-find components to meet their specific needs.

With the principle of “Quality Parts,Customers Priority,Honest Operation,and Considerate Service”,our business mainly focus on the distribution of electronic components. Line cards we deal with include Microchip,ALPS,ROHM,Xilinx,Pulse,ON,Everlight and Freescale. Main products comprise IC,Modules,Potentiometer,IC Socket,Relay,Connector.Our parts cover such applications as commercial,industrial, and automotives areas.

We are looking forward to setting up business relationship with you and hope to provide you with the best service and solution. Let us make a better world for our industry!



## Contact us

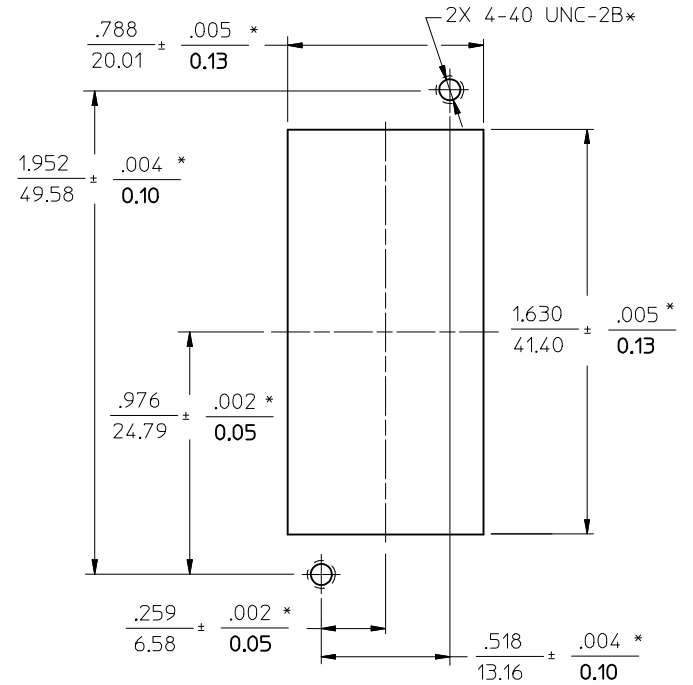
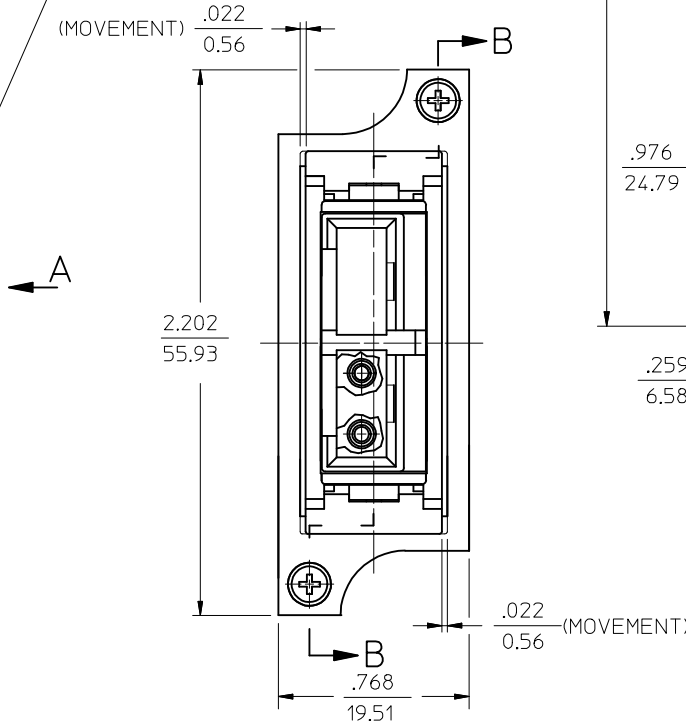
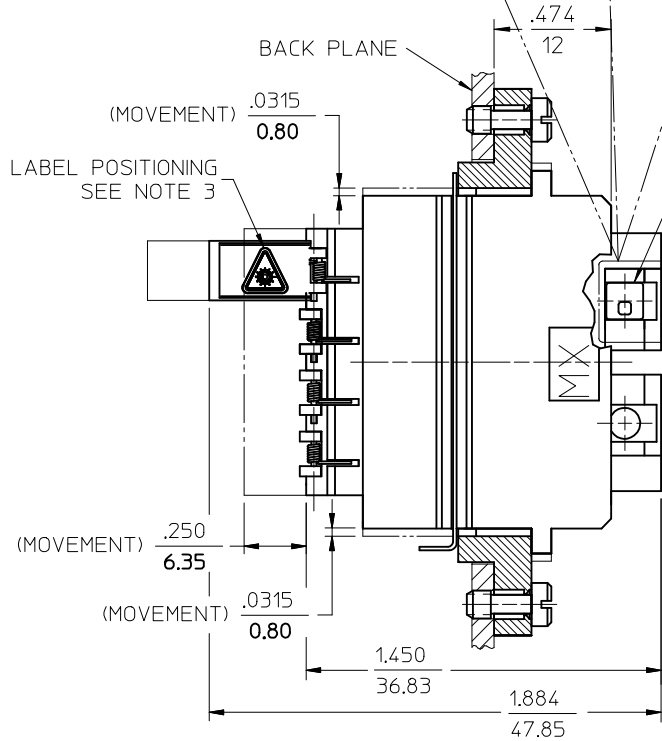
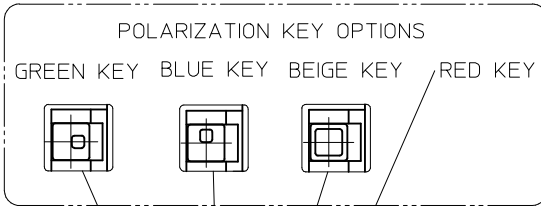
Tel: +86-755-8981 8866 Fax: +86-755-8427 6832

Email & Skype: info@chipsmall.com Web: www.chipsmall.com

Address: A1208, Overseas Decoration Building, #122 Zhenhua RD., Futian, Shenzhen, China



BLC ADAPTER P/N	SPLIT SLEEVE MATERIAL	COLOR
106144-0100	Ph. Bronze	BLACK
106144-1100	Zr	GREEN
106144-1500		GREEN



- NOTES:
1. ALL DIM. ARE FOR REFERENCE ONLY, EXCEPT WHEN MARKED WITH (\*).
  2. POLARIZATION KEYS AND LABELS ARE PACKED UNASSEMBLED WITH ADAPTER ASSEMBLY IN POLY BAG.
  3. ADHESIVE LABELS TO BE POSITIONED ON LC DOORS BY USER. THE ORIENTATION OF THE LABELS SHOULD BE SUCH THAT THE LASER WARNING SYMBOL IS EASILY IDENTIFIED.

<b>ENTER DESCRIPTION</b> EC NO: MF2014-0607 DRW: YBEDNYAK 2014/04/21 CHKD: WCHEN APPR: WCHEN 2014/04/25 B1	QUALITY SYMBOLS ▽=0 ▽=0	GENERAL TOLERANCES (UNLESS SPECIFIED) mm    INCH 4 PLACES ± --- ± --- 3 PLACES ± --- ± --- 2 PLACES ± --- ± --- 1 PLACE ± --- ± --- ANGULAR ±1/2°	DIMENSION STYLE IN/MM DRAWN BY DATE PG/BL IN 2005/10/20 CHECKED BY DATE APPROVED BY DATE	SCALE 2:1 DESIGN UNITS INCH THIRD ANGLE PROJECTION	TITLE BLC ADAPTER ASSEMBLY (4 POSITION)	
	DRAFT WHERE APPLICABLE MUST REMAIN WITHIN DIMENSIONS		MATERIAL NO. SEE TABLE	MOLEX INCORPORATED	SHEET NO. 1 OF 1	
			DOCUMENT NO. SD-106144-XX00	THIS DRAWING CONTAINS INFORMATION THAT IS PROPRIETARY TO MOLEX INCORPORATED AND SHOULD NOT BE USED WITHOUT WRITTEN PERMISSION		