



Chipsmall Limited consists of a professional team with an average of over 10 year of expertise in the distribution of electronic components. Based in Hongkong, we have already established firm and mutual-benefit business relationships with customers from,Europe,America and south Asia,supplying obsolete and hard-to-find components to meet their specific needs.

With the principle of “Quality Parts,Customers Priority,Honest Operation,and Considerate Service”,our business mainly focus on the distribution of electronic components. Line cards we deal with include Microchip,ALPS,ROHM,Xilinx,Pulse,ON,Everlight and Freescale. Main products comprise IC,Modules,Potentiometer,IC Socket,Relay,Connector.Our parts cover such applications as commercial,industrial, and automotives areas.

We are looking forward to setting up business relationship with you and hope to provide you with the best service and solution. Let us make a better world for our industry!



Contact us

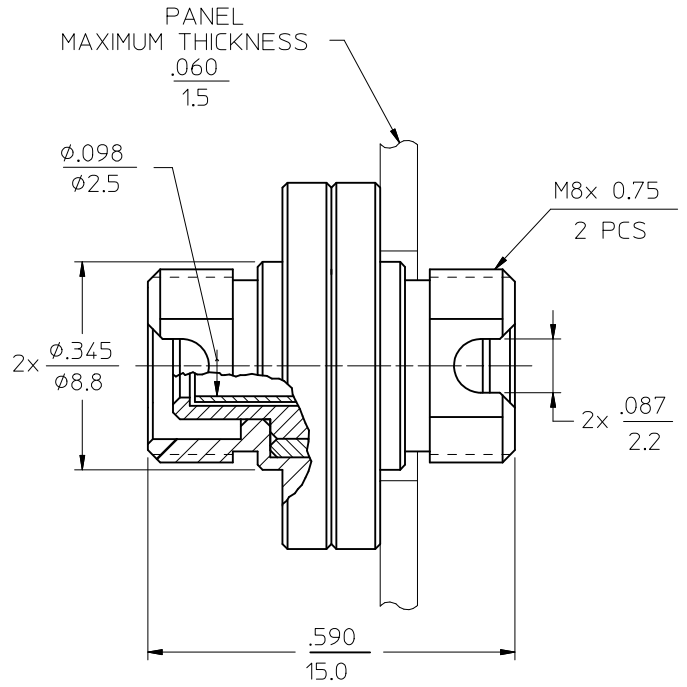
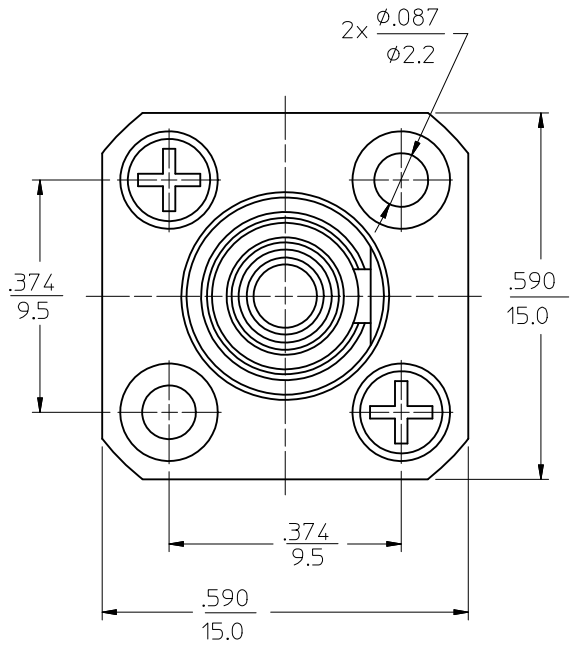
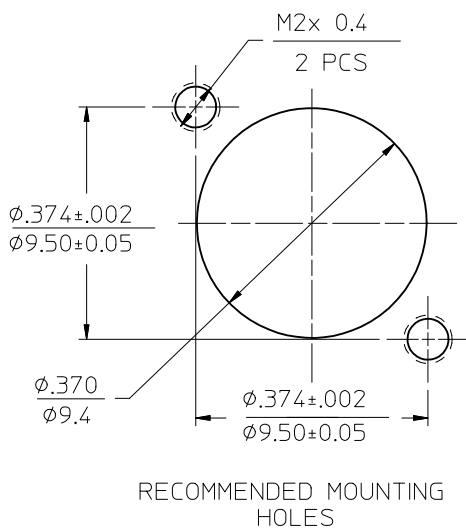
Tel: +86-755-8981 8866 Fax: +86-755-8427 6832

Email & Skype: info@chipsmall.com Web: www.chipsmall.com

Address: A1208, Overseas Decoration Building, #122 Zhenhua RD., Futian, Shenzhen, China



10	9	8	7	6	5	4	3	2	1
P/N OF ADAPTER	MATERIAL OF SLEEVE								
106152-0000	CERAMIC								
106156-0000	PHOSPHOR BRONZE								



NOTE:
1. DUST CAPS ARE INCLUDED, BUT NOT SHOWN

ENTER DESCRIPTION EC NO: MF2006-0270 DRAWN: PGIBLIN 2005/12/06 CHKD: 2005/12/06 APPR: LGUMIN 2005/12/06 A	QUALITY SYMBOLS $\nabla = 0$ $\nabla 7 = 0$	GENERAL TOLERANCES (UNLESS SPECIFIED)	DIMENSION STYLE IN/MM	SCALE 5:1	DESIGN UNITS INCH	THIRD ANGLE PROJECTION																							
		<table border="1"> <tr> <th></th> <th>mm</th> <th>INCH</th> </tr> <tr> <td>4 PLACES</td> <td>± ---</td> <td>± .0002</td> </tr> <tr> <td>3 PLACES</td> <td>± 0.005</td> <td>± .005</td> </tr> <tr> <td>2 PLACES</td> <td>± 0.13</td> <td>± .01</td> </tr> <tr> <td>1 PLACE</td> <td>± 0.25</td> <td>± ---</td> </tr> </table>		mm	INCH	4 PLACES	± ---	± .0002	3 PLACES	± 0.005	± .005	2 PLACES	± 0.13	± .01	1 PLACE	± 0.25	± ---	<table border="1"> <tr> <td>DRAWN BY</td> <td>DATE</td> </tr> <tr> <td>PGIBLIN</td> <td>2005/10/25</td> </tr> <tr> <td>CHECKED BY</td> <td>DATE</td> </tr> <tr> <td>APPROVED BY</td> <td>DATE</td> </tr> </table>	DRAWN BY	DATE	PGIBLIN	2005/10/25	CHECKED BY	DATE	APPROVED BY	DATE	TITLE FC TYPE ADAPTER		
		mm	INCH																										
	4 PLACES	± ---	± .0002																										
3 PLACES	± 0.005	± .005																											
2 PLACES	± 0.13	± .01																											
1 PLACE	± 0.25	± ---																											
DRAWN BY	DATE																												
PGIBLIN	2005/10/25																												
CHECKED BY	DATE																												
APPROVED BY	DATE																												
DRAFT WHERE APPLICABLE MUST REMAIN WITHIN DIMENSIONS	MATERIAL NO. SEE TABLE	DOCUMENT NO. SD-10615X-0000	MOLEX INCORPORATED																										
	SIZE B	THIS DRAWING CONTAINS INFORMATION THAT IS PROPRIETARY TO MOLEX INCORPORATED AND SHOULD NOT BE USED WITHOUT WRITTEN PERMISSION				SHEET NO. 1 OF 01																							