



Chipsmall Limited consists of a professional team with an average of over 10 year of expertise in the distribution of electronic components. Based in Hongkong, we have already established firm and mutual-benefit business relationships with customers from,Europe,America and south Asia,supplying obsolete and hard-to-find components to meet their specific needs.

With the principle of “Quality Parts,Customers Priority,Honest Operation,and Considerate Service”,our business mainly focus on the distribution of electronic components. Line cards we deal with include Microchip,ALPS,ROHM,Xilinx,Pulse,ON,Everlight and Freescale. Main products comprise IC,Modules,Potentiometer,IC Socket,Relay,Connector.Our parts cover such applications as commercial,industrial, and automotives areas.

We are looking forward to setting up business relationship with you and hope to provide you with the best service and solution. Let us make a better world for our industry!



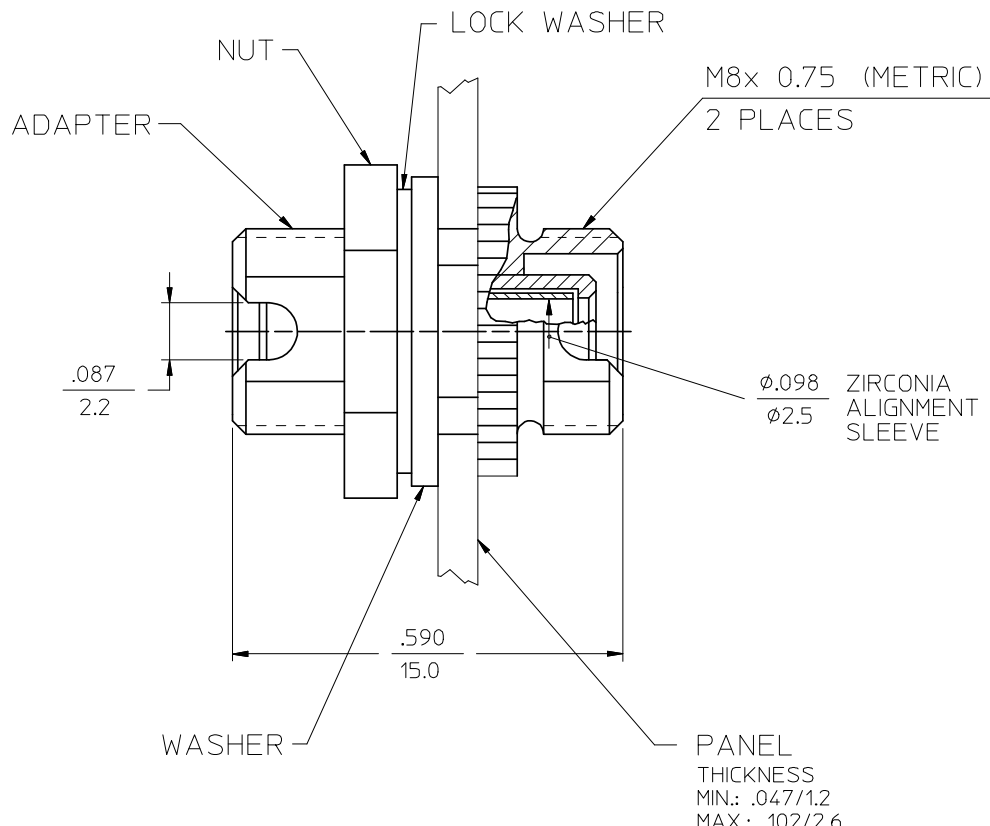
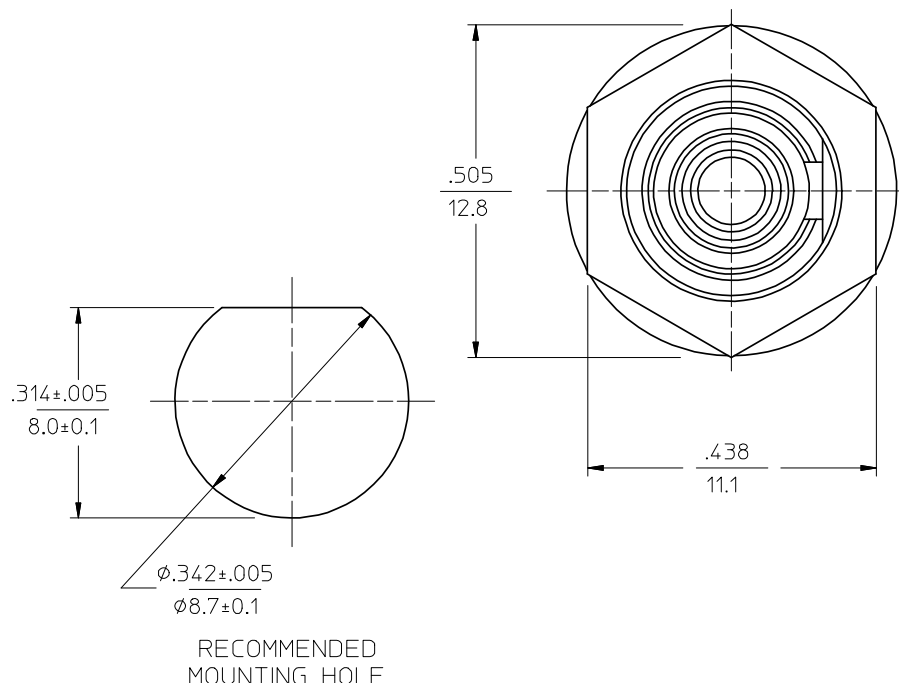
Contact us

Tel: +86-755-8981 8866 Fax: +86-755-8427 6832

Email & Skype: info@chipsmall.com Web: www.chipsmall.com

Address: A1208, Overseas Decoration Building, #122 Zhenhua RD., Futian, Shenzhen, China





NOTES:
 1. FOR THE USE OF WASHERS ACCORDING TO THE PANEL THICKNESS SEE FOLLOWING TABLE:

PANEL THICKNESS	USE WASHER
$\frac{.047}{1.2}$ TO $\frac{.060}{1.5}$	BOTH WASHERS
$\frac{.061}{1.55}$ TO $\frac{.085}{2.15}$	FLAT WASHER
$\frac{.086}{2.2}$ TO $\frac{.102}{2.6}$	LOCK WASHER

2. DUST CAPS ARE NOT SHOWN, BUT INCLUDED.

ENTER DESCRIPTION EC NO: MF2008-0512 DRWN: IGUMIN 2008/05/20 CHKD: 2008/05/20 APPR: IGUMIN 2008/05/21	QUALITY SYMBOLS	GENERAL TOLERANCES (UNLESS SPECIFIED)	DIMENSION STYLE	SCALE	DESIGN UNITS	THIRD ANGLE PROJECTION
	$\nabla=0$ $\sphericalangle=0$	mm INCH 4 PLACES ± --- ± --- 3 PLACES ± --- ± --- 2 PLACES ± --- ± --- 1 PLACE ± --- ± --- ANGULAR ±1/2°	IN/MM	5:1	INCH	
		DRAFT WHERE APPLICABLE MUST REMAIN WITHIN DIMENSIONS	DRAWN BY: IGUMIN DATE: 2008/05/20 CHECKED BY: _____ DATE: _____ APPROVED BY: IGUMIN DATE: 2008/05/20	TITLE FC ADAPTER (D-HOLE)		
	MATERIAL NO. 1061521200	MOLEX INCORPORATED DOCUMENT NO. SD-106152-1200		SHEET NO. 1 OF 01		