



Chipsmall Limited consists of a professional team with an average of over 10 year of expertise in the distribution of electronic components. Based in Hongkong, we have already established firm and mutual-benefit business relationships with customers from,Europe,America and south Asia,supplying obsolete and hard-to-find components to meet their specific needs.

With the principle of "Quality Parts,Customers Priority,Honest Operation,and Considerate Service",our business mainly focus on the distribution of electronic components. Line cards we deal with include Microchip,ALPS,ROHM,Xilinx,Pulse,ON,Everlight and Freescale. Main products comprise IC,Modules,Potentiometer,IC Socket,Relay,Connector.Our parts cover such applications as commercial,industrial, and automotives areas.

We are looking forward to setting up business relationship with you and hope to provide you with the best service and solution. Let us make a better world for our industry!



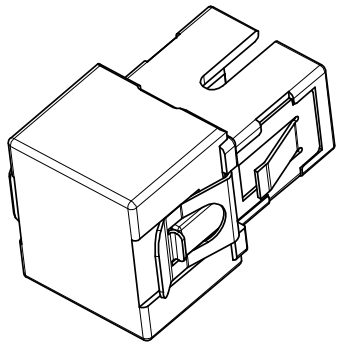
Contact us

Tel: +86-755-8981 8866 Fax: +86-755-8427 6832

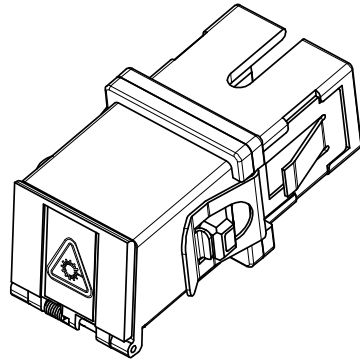
Email & Skype: info@chipsmall.com Web: www.chipsmall.com

Address: A1208, Overseas Decoration Building, #122 Zhenhua RD., Futian, Shenzhen, China

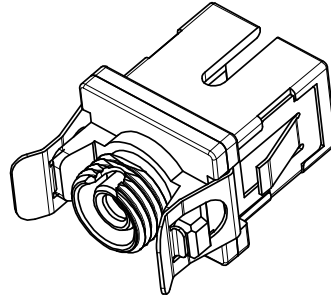




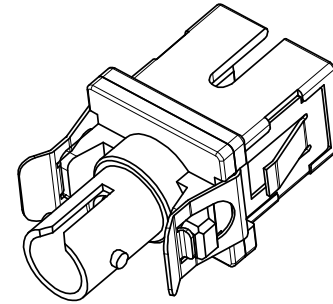
SHOWN WITH DUST CAP
INSTALLED (NO MODULE)



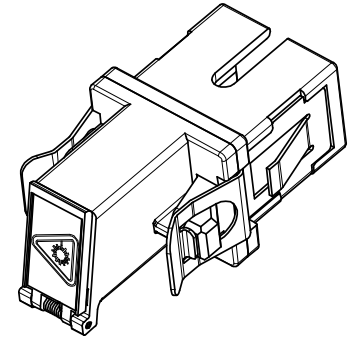
SC-SC VERSIONS
SEE SHEET 3



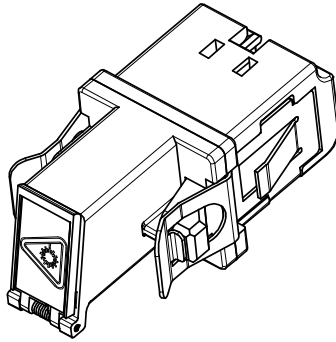
SC-FC VERSIONS
SEE SHEET 4



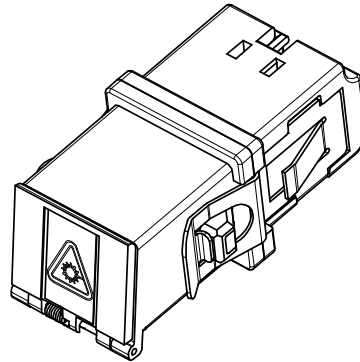
SC-ST VERSIONS
SEE SHEET 5



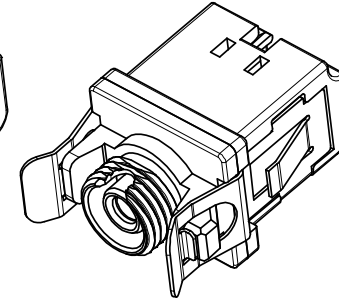
SC-LC VERSION
SEE SHEET 6



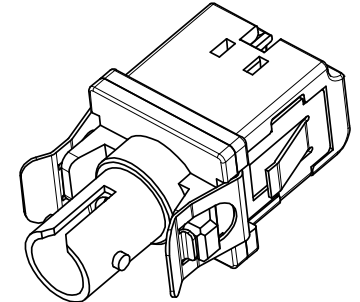
LC-LC VERSIONS
SEE SHEET 7



LC-SC VERSION
SEE SHEET 8



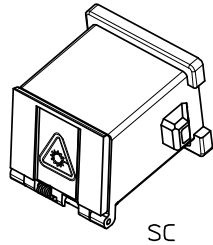
LC-FC VERSION
SEE SHEET 9



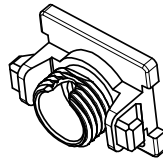
LC-ST VERSION
SEE SHEET 10

ENTER DESCRIPTION EC NO: MF2008-0308 DRW: DRWANKPEVZNER 2008/02/07 CHKD: 2008/02/07 APPR: LGUMIN 2008/02/14 A3	QUALITY SYMBOLS = 0 = 0	GENERAL TOLERANCES (UNLESS SPECIFIED)		DIMENSION STYLE MM/IN		SCALE 2.5:1	DESIGN UNITS METRIC	THIRD ANGLE PROJECTION		
		4 PLACES	± ---	± ---	DRAWN BY	DATE	TITLE UNIVERSAL ADAPTER			
		3 PLACES	± ---	± ---	SERNST	2006/02/13				
		2 PLACES	± ---	± ---	CHECKED BY	DATE	MOLEX INCORPORATED			
1 PLACE	± ---	± ---	DSZILAGYI	2006/03/07						
ANGULAR ± 1 °		DRAFT WHERE APPLICABLE MUST REMAIN WITHIN DIMENSIONS		APPROVED BY		DATE			DOCUMENT NO. SD-106154-002	SHEET NO. 1 OF 10
MATERIAL NO. SEE TABLES		THIS DRAWING CONTAINS INFORMATION THAT IS PROPRIETARY TO MOLEX INCORPORATED AND SHOULD NOT BE USED WITHOUT WRITTEN PERMISSION		SMIGO		2006/03/07				

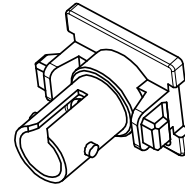
MODULE P/N	TYPE	COLOR
1061540020	SC	BLUE
1061540022		BEIGE
1061540025		GREEN
1061540031	FC	BLUE
1061540033		BEIGE
1061540036		GREEN
1061540041	ST	BLUE
1061540043		BEIGE
1061540130	LC	BLUE
1061540131		BEIGE
1061540132		GREEN



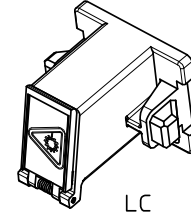
SC



FC

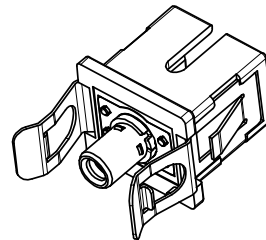


ST

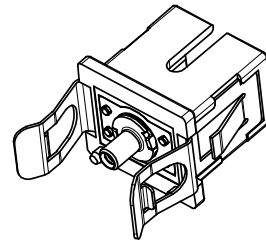


LC

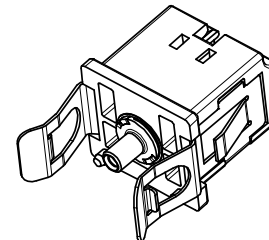
BASE P/N	TYPE	SLEEVE MAT'L	TYPE
1061540015	SINGLE MODE	ZIRCONIA	SC BASE TO 2.5mm
1061540016	MULTIMODE	PHOS BRONZE	
1061540017	SM/MM	NICKEL	SC BASE TO 1.25mm
1061540215	SINGLE MODE	ZIRCONIA	LC BASE TO 1.25mm
1061540216	MULTIMODE	PHOS BRONZE	
1061540217	SM/MM	NICKEL	LC BASE TO 2.5mm



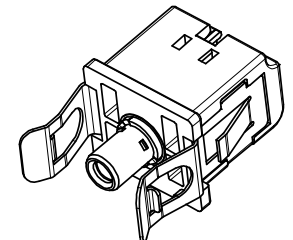
SC TO 2.5mm



SC TO 1.25mm



LC TO 1.25mm



LC TO 2.5mm

SLEEVE ASBY	TYPE	SLEEVE MAT'L	TYPE
1061540050	SINGLE MODE	ZIRCONIA	2.5mm
1061540051	MULTIMODE	PHOS BRONZE	
1061540052	SINGLE MODE	ZIRCONIA	1.25mm
1061540053	MULTIMODE	PHOS BRONZE	
1061540054	SM/MM	NICKEL	HYBRID 1.25 TO 2.5mm



2.5mm

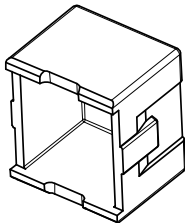


1.25mm



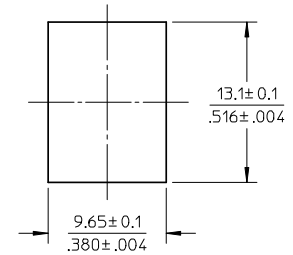
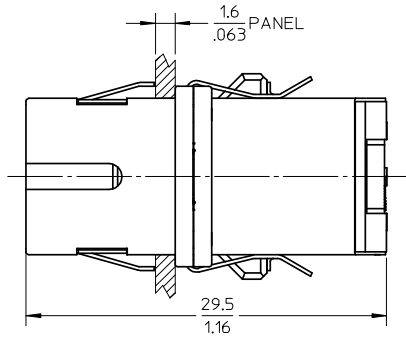
HYBRID

DUST CAP
P/N 1061540006

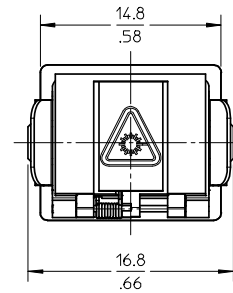
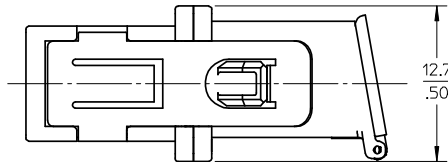


ENTER DESCRIPTION EC NO: MF2008-0308 DR: MANKPEVNER 2008/02/07 CHKD: 2008/02/07 APPR: IGUMIN 2008/02/14 A3	QUALITY SYMBOLS ▽=0 ▽7=0	GENERAL TOLERANCES (UNLESS SPECIFIED) mm INCH 4 PLACES ± --- ± --- 3 PLACES ± --- ± --- 2 PLACES ± --- ± --- 1 PLACE ± --- ± --- ANGULAR ± 1°	DIMENSION STYLE MM/IN DRAWN BY DATE SERNST 2006/02/13 CHECKED BY DATE DSZILAGYI 2006/03/07 APPROVED BY DATE SMIGO 2006/03/07	SCALE 2:1 DESIGN UNITS METRIC THIRD ANGLE PROJECTION	TITLE UNIVERSAL ADAPTER
	DRAFT WHERE APPLICABLE MUST REMAIN WITHIN DIMENSIONS		MATERIAL NO. SEE TABLES	DOCUMENT NO. SD-106154-002	SHEET NO. 2 OF 10
	MOLEX INCORPORATED				
	THIS DRAWING CONTAINS INFORMATION THAT IS PROPRIETARY TO MOLEX INCORPORATED AND SHOULD NOT BE USED WITHOUT WRITTEN PERMISSION				

ADAPTER P/N	STYLE	TYPE	SLEEVE MAT'L	MODULE COLOR
1061541100	SC-SC	SINGLE MODE	ZIRCONIA	BLUE
1061541105	SC-SC/APC			GREEN
1061541101	SC-SC	MULTIMODE	PHOSPHOR BRONZE	BEIGE



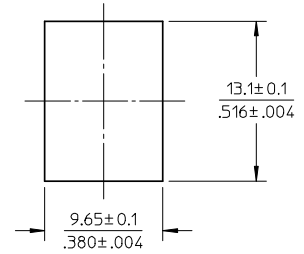
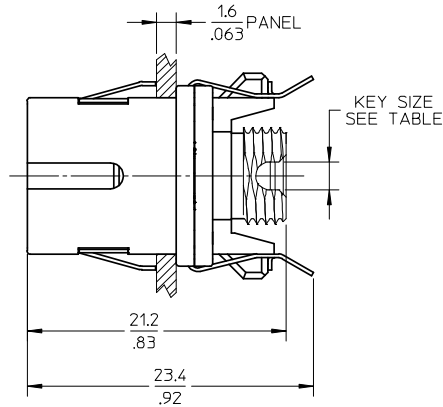
RECOMMENDED MOUNTING CUTOUT
(1.6mm THICK PANEL)



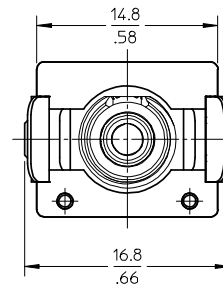
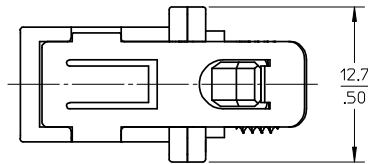
- NOTES:
1. ALL DIMENSIONS ARE FOR REFERENCE ONLY.
2. PACKAGING: ADAPTERS AND DUSTCAPS ARE PACKED IN A PLASTIC TRAY.

ENTER DESCRIPTION EC NO: MF2008-0308 DR: MANKPEVNER 2008/02/07 CHKD: 2008/02/07 APPR: IGUMIN 2008/02/14	QUALITY SYMBOLS	GENERAL TOLERANCES (UNLESS SPECIFIED)		DIMENSION STYLE	SCALE	DESIGN UNITS	THIRD ANGLE PROJECTION	
	▼=0 ∇=0	mm	INCH	MM/IN	2.5:1	METRIC	UNIVERSAL ADAPTER	
		4 PLACES	±---	±---	DRAWN BY	DATE		
		3 PLACES	±---	±---	SERNST	2006/02/13		
2 PLACES	±---	±---	CHECKED BY	DATE				
1 PLACE	±---	±---	DSZILAGYI	2006/03/07	APPROVED BY	DATE		
				SMIGO	2006/03/07			
		ANGULAR ± 1°		MATERIAL NO.				
		DRAFT WHERE APPLICABLE MUST REMAIN WITHIN DIMENSIONS		SEE TABLE				
				SIZE B				

ADAPTER P/N	STYLE	TYPE	SLEEVE MAT'L	MODULE COLOR	KEY SIZE (mm)
1061541110	SC-FC	SINGLE MODE	ZIRCONIA	BLUE	2.3
1061541115	SC-FC/APC			GREEN	2
1061541111	SC-FC	MULTIMODE	PHOSPHOR BRONZE	BEIGE	2.3



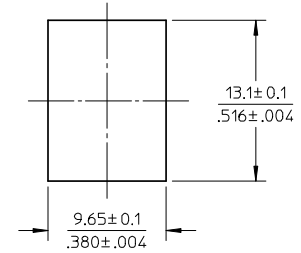
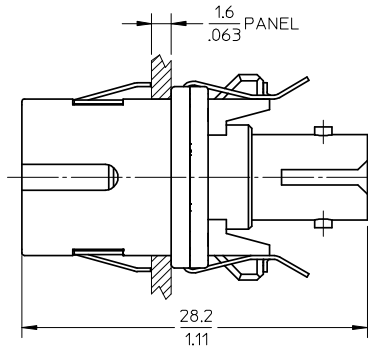
RECOMMENDED MOUNTING CUTOUT
(1.6mm THICK PANEL)



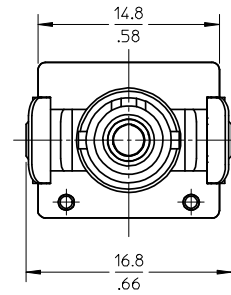
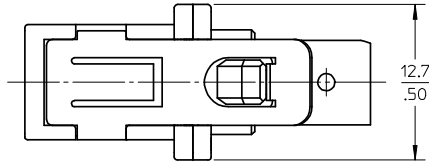
- NOTES:
- ALL DIMENSIONS ARE FOR REFERENCE ONLY.
 - PACKAGING: ADAPTERS AND DUSTCAPS ARE PACKED IN A PLASTIC TRAY.

ENTER DESCRIPTION EC NO: MF2008-0308 DR: MANKPEVZNER 2008/02/07 CHKD: 2008/02/07 APPR: IGUMIN 2008/02/14 A3	QUALITY SYMBOLS ▽=0 ▽=0	GENERAL TOLERANCES (UNLESS SPECIFIED)		DIMENSION STYLE MM/IN	SCALE 2.5:1	DESIGN UNITS METRIC	THIRD ANGLE PROJECTION
		4 PLACES ± --- ± ---	DRAWN BY SERNST	DATE 2006/02/13	TITLE UNIVERSAL ADAPTER		
		3 PLACES ± --- ± ---	CHECKED BY DSZILAGYI	DATE 2006/03/07			
		2 PLACES ± --- ± ---	APPROVED BY SMIGO	DATE 2006/03/07	MATERIAL NO.	DOCUMENT NO.	SHEET NO.
DRAFT WHERE APPLICABLE MUST REMAIN WITHIN DIMENSIONS		SEE TABLE	Molex MOLEX INCORPORATED SD-106154-002			4 OF 10	
THIS DRAWING CONTAINS INFORMATION THAT IS PROPRIETARY TO MOLEX INCORPORATED AND SHOULD NOT BE USED WITHOUT WRITTEN PERMISSION							

ADAPTER P/N	STYLE	TYPE	SLEEVE MAT'L
1061541120	SC-ST	SINGLE MODE	ZIRCONIA
1061541121		MULTIMODE	PHOS BRONZE



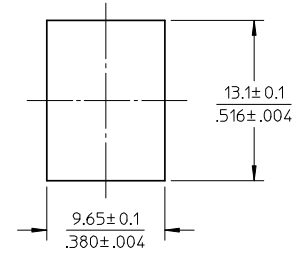
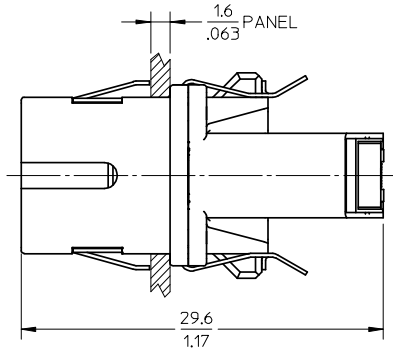
RECOMMENDED MOUNTING CUTOUT
(1.6mm THICK PANEL)



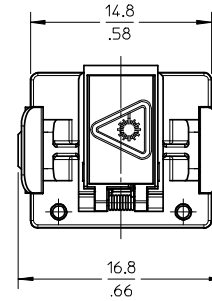
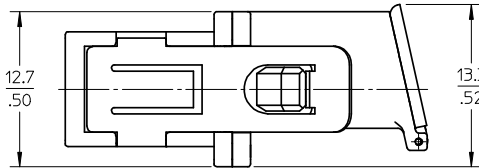
- NOTES:
- ALL DIMENSIONS ARE FOR REFERENCE ONLY.
 - PACKAGING: ADAPTERS AND DUSTCAPS ARE PACKED IN A PLASTIC TRAY.

ENTER DESCRIPTION EC NO: MF2008-0308 DRW: WKP/EVZNER 2008/02/07 CHKD: 2008/02/07 APPR: IGUMIN 2008/02/14	QUALITY SYMBOLS ▽=0 ▽=0	GENERAL TOLERANCES (UNLESS SPECIFIED) mm INCH 4 PLACES ± --- ± --- 3 PLACES ± --- ± --- 2 PLACES ± --- ± --- 1 PLACE ± --- ± --- ANGULAR ± 1°	DIMENSION STYLE MM/IN DRAWN BY DATE SERNST 2006/02/13 CHECKED BY DATE DSZILAGYI 2006/03/07 APPROVED BY DATE SMIGO 2006/03/07	SCALE 2.5:1 DESIGN UNITS METRIC THIRD ANGLE PROJECTION	TITLE UNIVERSAL ADAPTER
	DRAFT WHERE APPLICABLE MUST REMAIN WITHIN DIMENSIONS		MATERIAL NO. SEE TABLE	DOCUMENT NO. SD-106154-002	SHEET NO. 5 OF 10
	MILEX INCORPORATED		THIS DRAWING CONTAINS INFORMATION THAT IS PROPRIETARY TO MOLEX INCORPORATED AND SHOULD NOT BE USED WITHOUT WRITTEN PERMISSION		
	REV A3				

ADAPTER P/N	STYLE	TYPE	SLEEVE MAT'L
1061541130	SC-LC	SM OR MM	NICKEL



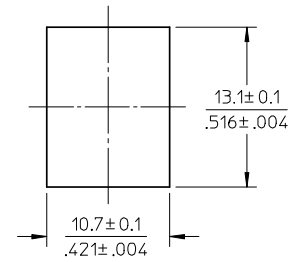
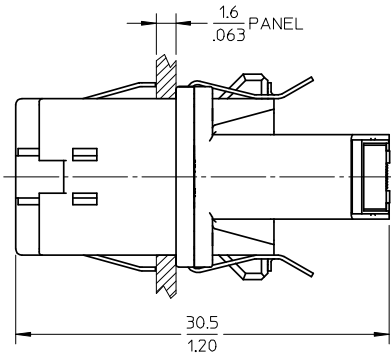
RECOMMENDED MOUNTING CUTOUT
(1.6mm THICK PANEL)



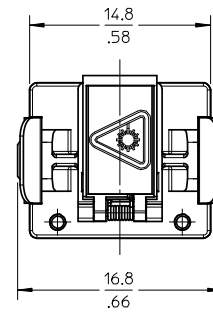
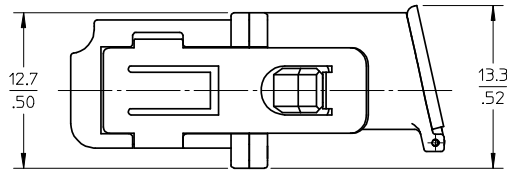
- NOTES:
1. ALL DIMENSIONS ARE FOR REFERENCE ONLY.
2. PACKAGING: ADAPTERS AND DUSTCAPS ARE PACKED IN A PLASTIC TRAY.

ENTER DESCRIPTION EC NO: MF2008-0308 DRAWN: DRINKPEVNER 2008/02/07 CHKD: 2008/02/07 APPR: IGUMIN 2008/02/14 A3	QUALITY SYMBOLS ▽=0 ▽=0	GENERAL TOLERANCES (UNLESS SPECIFIED)		DIMENSION STYLE MM/IN		SCALE 2.5:1	DESIGN UNITS METRIC	THIRD ANGLE PROJECTION	
		4 PLACES ± --- ± --- 3 PLACES ± --- ± --- 2 PLACES ± --- ± --- 1 PLACE ± --- ± ---	mm INCH	DRAWN BY DATE SERNST 2006/02/13	TITLE UNIVERSAL ADAPTER				
		ANGULAR ± 1°		CHECKED BY DATE DSZILAGYI 2006/03/07	MOLEX INCORPORATED				
	DRAFT WHERE APPLICABLE MUST REMAIN WITHIN DIMENSIONS			APPROVED BY DATE SMIGO 2006/03/07	MATERIAL NO. SEE TABLE	DOCUMENT NO. SD-106154-002	SHEET NO. 6 OF 10		

ADAPTER P/N	STYLE	TYPE	SLEEVE MAT'L	MODULE COLOR
1061541630	LC-LC	SINGLE MODE	ZIRCONIA	BLUE
1061541635	LC-LC/APC			GREEN
1061541631	LC-LC	MULTIMODE	PHOSPHOR BRONZE	BEIGE



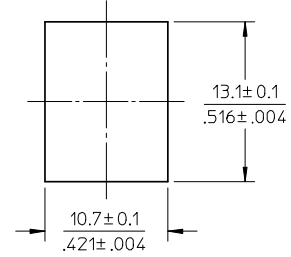
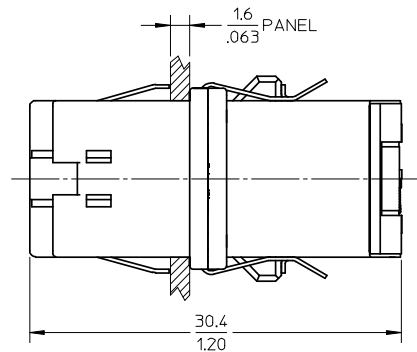
RECOMMENDED MOUNTING CUTOUT
(1.6mm THICK PANEL)



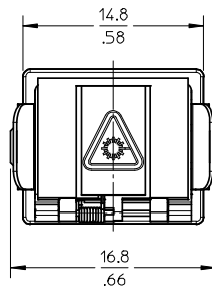
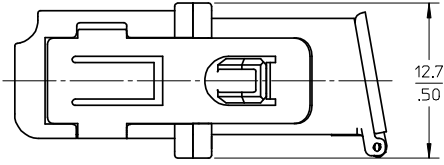
- NOTES:
- ALL DIMENSIONS ARE FOR REFERENCE ONLY.
 - PACKAGING: ADAPTERS AND DUSTCAPS ARE PACKED IN A PLASTIC TRAY.

ENTER DESCRIPTION EC NO: MF2008-0308 DR: MANKPEVNER 2008/02/07 CHKD: 2008/02/07 APPR: IGUMIN 2008/02/14	QUALITY SYMBOLS	GENERAL TOLERANCES (UNLESS SPECIFIED)	DIMENSION STYLE	SCALE	DESIGN UNITS	THIRD ANGLE PROJECTION	
	▼=0 ∇=0	mm INCH 4 PLACES ± --- ± --- 3 PLACES ± --- ± --- 2 PLACES ± --- ± --- 1 PLACE ± --- ± ---	MM/IN DRAWN BY DATE SERNST 2006/02/13 CHECKED BY DATE DSZILAGYI 2006/03/07 APPROVED BY DATE SMIGO 2006/03/07	2.5:1	METRIC	UNIVERSAL ADAPTER	
							ANGULAR ± 1 °
							DRAFT WHERE APPLICABLE MUST REMAIN WITHIN DIMENSIONS
A3	MATERIAL NO. SEE TABLE	MOLEX INCORPORATED	DOCUMENT NO. SD-106154-002	SHEET NO. 7 OF 10			

ADAPTER P/N	STYLE	TYPE	SLEEVE MAT'L
1061541600	LC-SC	SM OR MM	NICKEL



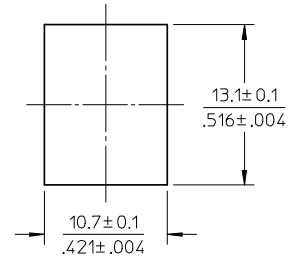
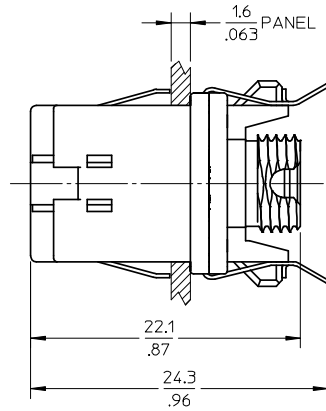
RECOMMENDED MOUNTING CUTOUT
(1.6mm THICK PANEL)



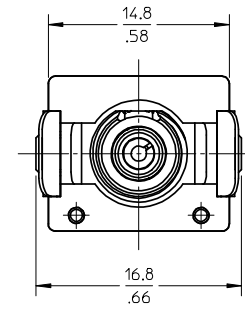
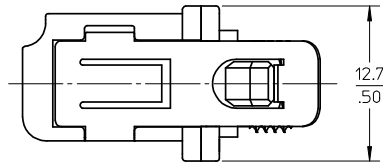
NOTES:
1. ALL DIMENSIONS ARE FOR REFERENCE ONLY.
2. PACKAGING: ADAPTERS AND DUSTCAPS ARE PACKED IN A PLASTIC TRAY.

ENTER DESCRIPTION EC NO: MF2008-0308 DRW: MKPEVZNER 2008/02/07 CHKD: 2008/02/07 APPR: IGUMIN 2008/02/14 A3	QUALITY SYMBOLS	GENERAL TOLERANCES (UNLESS SPECIFIED)	DIMENSION STYLE	SCALE	DESIGN UNITS	THIRD ANGLE PROJECTION
	▼=0 ▽=0	mm INCH 4 PLACES ± --- ± --- 3 PLACES ± --- ± --- 2 PLACES ± --- ± --- 1 PLACE ± --- ± --- ANGULAR ± 1°	MM/IN	2.5:1	METRIC	DRAWN BY DATE SERNST 2006/02/13 CHECKED BY DATE DSZILAGYI 2006/03/07 APPROVED BY DATE SMIGO 2006/03/07
		DRAFT WHERE APPLICABLE MUST REMAIN WITHIN DIMENSIONS	MATERIAL NO.	TITLE		
			SEE TABLE	UNIVERSAL ADAPTER		
			MOLEX INCORPORATED			
			DOCUMENT NO.	SHEET NO.		
			SD-106154-002	8 OF 10		
THIS DRAWING CONTAINS INFORMATION THAT IS PROPRIETARY TO MOLEX INCORPORATED AND SHOULD NOT BE USED WITHOUT WRITTEN PERMISSION						

ADAPTER P/N	STYLE	TYPE	SLEEVE MAT'L
1061541610	LC-FC	SM OR MM	NICKEL



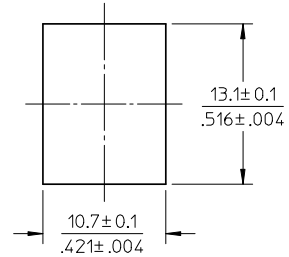
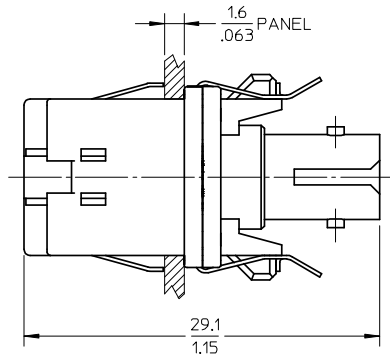
RECOMMENDED MOUNTING CUTOUT
(1.6mm THICK PANEL)



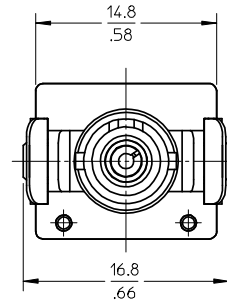
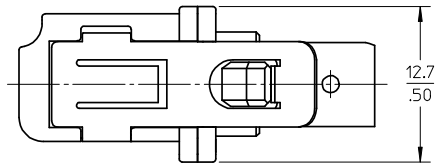
- NOTES:
 1. ALL DIMENSIONS ARE FOR REFERENCE ONLY.
 2. PACKAGING: ADAPTERS AND DUSTCAPS ARE PACKED IN A PLASTIC TRAY.

ENTER DESCRIPTION EC NO: MF2008-0308 DRW: MKPEVZNER 2008/02/07 CHKD: 2008/02/07 APPR: LGUMIN 2008/02/14 A3	QUALITY SYMBOLS ▽=0 ▽=0	GENERAL TOLERANCES (UNLESS SPECIFIED) mm INCH 4 PLACES ± --- ± --- 3 PLACES ± --- ± --- 2 PLACES ± --- ± --- 1 PLACE ± --- ± --- ANGULAR ± 1°	DIMENSION STYLE MM/IN DRAWN BY DATE SERNST 2006/02/13 CHECKED BY DATE DSZILAGYI 2006/03/07 APPROVED BY DATE SMIGO 2006/03/07	SCALE 2.5:1 DESIGN UNITS METRIC THIRD ANGLE PROJECTION	TITLE UNIVERSAL ADAPTER
	DRAFT WHERE APPLICABLE MUST REMAIN WITHIN DIMENSIONS		MATERIAL NO. SEE TABLE	DOCUMENT NO. SD-106154-002	SHEET NO. 9 OF 10
	MOLEX INCORPORATED THIS DRAWING CONTAINS INFORMATION THAT IS PROPRIETARY TO MOLEX INCORPORATED AND SHOULD NOT BE USED WITHOUT WRITTEN PERMISSION				
	REV DESCRIPTION				

ADAPTER P/N	STYLE	TYPE	SLEEVE MAT'L
1061541620	LC-ST	SM OR MM	NICKEL



RECOMMENDED MOUNTING CUTOUT
(1.6mm THICK PANEL)



- NOTES:
1. ALL DIMENSIONS ARE FOR REFERENCE ONLY.
 2. PACKAGING: ADAPTERS AND DUSTCAPS ARE PACKED IN A PLASTIC TRAY.

ENTER DESCRIPTION EC NO: MF2008-0308 DR: MANKPEVZNER CHKD: 2008/02/07 APPR: IGUMIN 2008/02/14	QUALITY SYMBOLS ▽=0 ▽7=0	GENERAL TOLERANCES (UNLESS SPECIFIED)		DIMENSION STYLE MM/IN	SCALE 2.5:1	DESIGN UNITS METRIC	THIRD ANGLE PROJECTION		
		mm	INCH	DRAWN BY	DATE	TITLE UNIVERSAL ADAPTER			
	4 PLACES	±---	±---	SERNST	2006/02/13				
	3 PLACES	±---	±---	CHECKED BY	DATE	Molex MOLEX INCORPORATED			
2 PLACES	±---	±---	DSZILAGYI	2006/03/07					
1 PLACE	±---	±---	APPROVED BY	DATE	DOCUMENT NO. SD-106154-002				
ANGULAR ± 1°			SMIGO	2006/03/07					
DRAFT WHERE APPLICABLE MUST REMAIN WITHIN DIMENSIONS		MATERIAL NO. SEE TABLE		SHEET NO. 10 OF 10		THIS DRAWING CONTAINS INFORMATION THAT IS PROPRIETARY TO MOLEX INCORPORATED AND SHOULD NOT BE USED WITHOUT WRITTEN PERMISSION			