



Chipsmall Limited consists of a professional team with an average of over 10 year of expertise in the distribution of electronic components. Based in Hongkong, we have already established firm and mutual-benefit business relationships with customers from,Europe,America and south Asia,supplying obsolete and hard-to-find components to meet their specific needs.

With the principle of "Quality Parts,Customers Priority,Honest Operation,and Considerate Service",our business mainly focus on the distribution of electronic components. Line cards we deal with include Microchip,ALPS,ROHM,Xilinx,Pulse,ON,Everlight and Freescale. Main products comprise IC,Modules,Potentiometer,IC Socket,Relay,Connector.Our parts cover such applications as commercial,industrial, and automotives areas.

We are looking forward to setting up business relationship with you and hope to provide you with the best service and solution. Let us make a better world for our industry!



Contact us

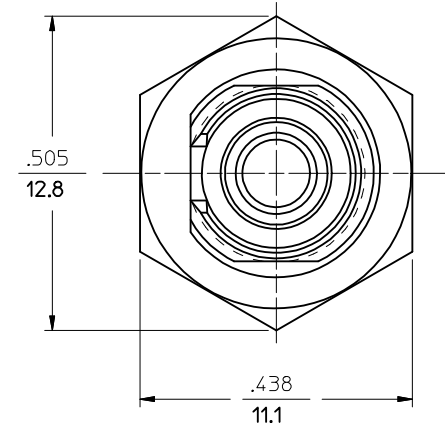
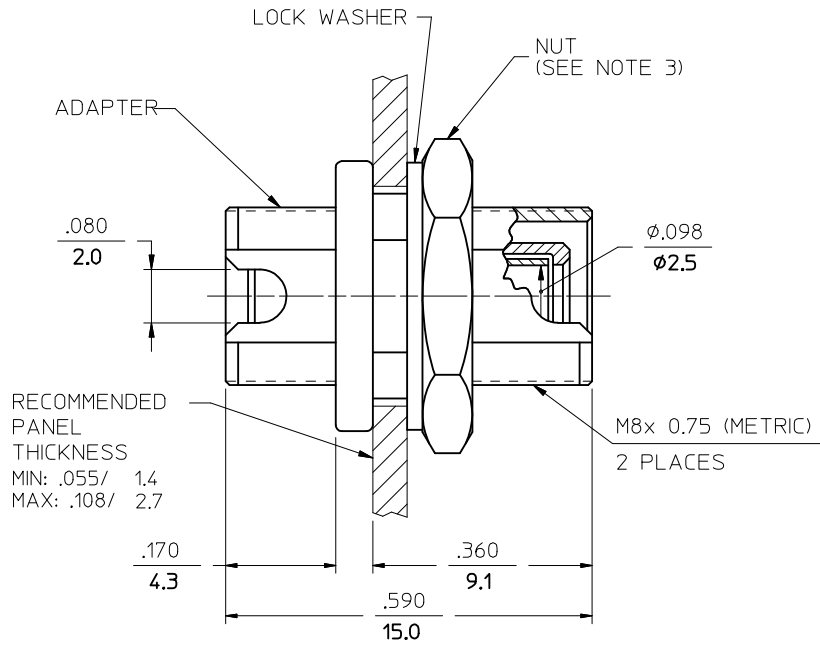
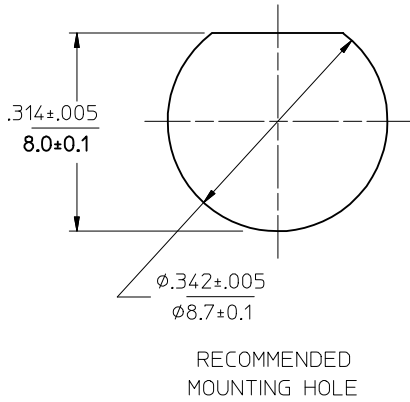
Tel: +86-755-8981 8866 Fax: +86-755-8427 6832

Email & Skype: info@chipsmall.com Web: www.chipsmall.com

Address: A1208, Overseas Decoration Building, #122 Zhenhua RD., Futian, Shenzhen, China



P/N OF ADAPTER	MATERIAL OF SLEEVE
106152-3000	CERAMIC
106156-3000	PHOSPHOR BRONZE



NOTES:

- FOR PANEL THICKNESS .080 TO .108, ELIMINATE LOCK WASHER.
- DUST CAPS ARE NOT SHOWN, BUT INCLUDED.
- TIGHTEN THE NUT TO 23 N-cm (2 lb-in)

ENTER DESCRIPTION EC NO: MF2013-0054 DR: MARK PEVZNER 2012/07/24 CHKD: APPR: WCHEN 2012/07/24 A3	QUALITY SYMBOLS	GENERAL TOLERANCES (UNLESS SPECIFIED)	DIMENSION STYLE	SCALE	DESIGN UNITS	THIRD ANGLE PROJECTION			
	▼=0 ▽=0	mm INCH 4 PLACES ± --- ± --- 3 PLACES ± --- ± --- 2 PLACES ± --- ± --- 1 PLACE ± --- ± --- 0 PLACE ± ±	IN/MM DRAWN BY DATE PGIBL IN 2005/10/25 CHECKED BY DATE APPROVED BY DATE	5:1	INCH	FC ADAPTER ("D" HOLE, TIGHT FIT KEY)			
							MATERIAL NO.	DOCUMENT NO.	SHEET NO.
							SEE TABLE	SD-10615X-3000	1 OF 1
THIS DRAWING CONTAINS INFORMATION THAT IS PROPRIETARY TO MOLEX INCORPORATED AND SHOULD NOT BE USED WITHOUT WRITTEN PERMISSION									