



Chipsmall Limited consists of a professional team with an average of over 10 year of expertise in the distribution of electronic components. Based in Hongkong, we have already established firm and mutual-benefit business relationships with customers from,Europe,America and south Asia,supplying obsolete and hard-to-find components to meet their specific needs.

With the principle of “Quality Parts,Customers Priority,Honest Operation,and Considerate Service”,our business mainly focus on the distribution of electronic components. Line cards we deal with include Microchip,ALPS,ROHM,Xilinx,Pulse,ON,Everlight and Freescale. Main products comprise IC,Modules,Potentiometer,IC Socket,Relay,Connector.Our parts cover such applications as commercial,industrial, and automotives areas.

We are looking forward to setting up business relationship with you and hope to provide you with the best service and solution. Let us make a better world for our industry!



Contact us

Tel: +86-755-8981 8866 Fax: +86-755-8427 6832

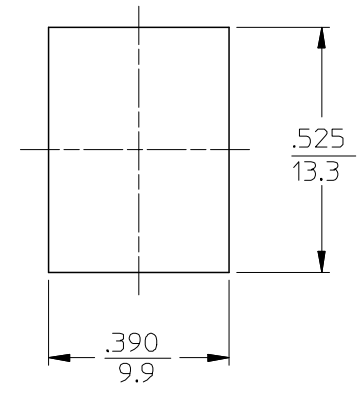
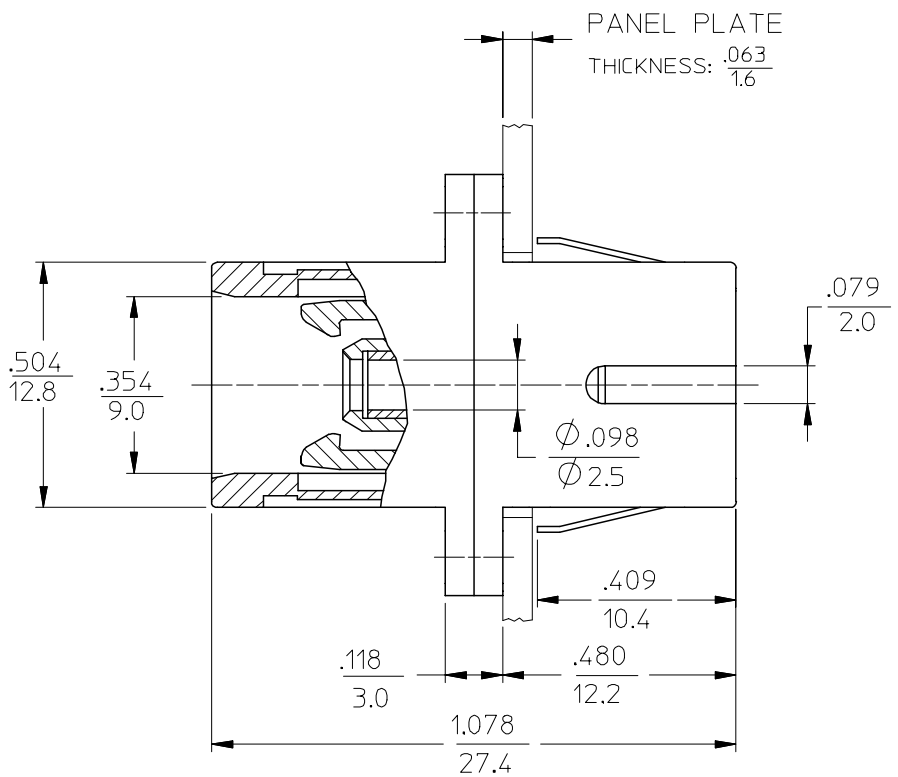
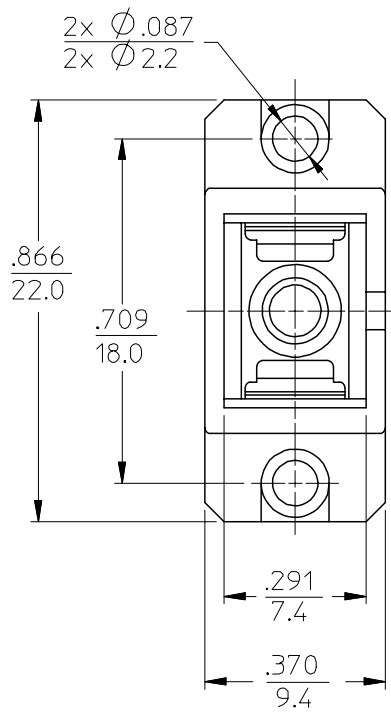
Email & Skype: info@chipsmall.com Web: www.chipsmall.com

Address: A1208, Overseas Decoration Building, #122 Zhenhua RD., Futian, Shenzhen, China



10 9 8 7 6 5 4 3 2 106160

ADAPTER P/N	SPRING LEVER COLOR	MATERIAL OF SLEEVE	SHELL COLOR
106160-0000	BLUE	PHOSPHOR BRONZE Zr,	BLUE
106161-0000		LOW COST	
106160-0100*			
106160-1000	BLACK	PHOSPHOR BRONZE Zr	RED
106161-1000		PHOSPHOR BRONZE Zr	BLACK
106160-2000			
106161-2000			
106160-3000	BLUE	PHOSPHOR BRONZE Zr,	GREEN
106160-3100*		LOW COST	
106161-3000			
106161-3100*			
106160-5000	BLACK	PHOSPHOR BRONZE Zr	BEIGE
106161-5000			



RECOMMENDED MOUNTING HOLE

NOTES:

- DUST CAPS ARE NOT SHOWN BUT INCLUDED.
- *2. P/Ns 106160-3100, 106161-0100 AND 106161-3100 ARE BULK PACKED IN QUANTITIES OF 100 pcs.
- ALL MATERIALS USED IN ADAPTER MEET UL94 V-0.

ENTER DESCRIPTION EC NO: MF2007-0737 DRWN:KPEVNER CHKD: APPR:IGUMIN 2007/05/30 2007/05/30 2007/05/30	QUALITY SYMBOLS	GENERAL TOLERANCES (UNLESS SPECIFIED)	DIMENSION STYLE	SCALE	DESIGN UNITS	THIRD ANGLE PROJECTION
	▽=0	4 PLACES ± --- ± ---	IN/MM	4:1	INCH	
	▽=0	3 PLACES ± --- ± ---				
		2 PLACES ± --- ± ---				
		1 PLACE ± --- ± ---				
		ANGULAR ±1/2°				
		DRAFT WHERE APPLICABLE MUST REMAIN WITHIN DIMENSIONS				
			DRAWN BY	DATE	TITLE	
			RPACIFICI	2005/12/22	SC TYPE ADAPTER	
			CHECKED BY	DATE		
			APPROVED BY	DATE		
			MATERIAL NO.	DOCUMENT NO.	SHEET NO.	
			SEE TABLE	SD-10616X-X000	1 OF 01	
			SIZE	THIS DRAWING CONTAINS INFORMATION THAT IS PROPRIETARY TO MOLEX INCORPORATED AND SHOULD NOT BE USED WITHOUT WRITTEN PERMISSION		
			B			

9 8 7 6 5 4 3 2 1