



Chipsmall Limited consists of a professional team with an average of over 10 year of expertise in the distribution of electronic components. Based in Hongkong, we have already established firm and mutual-benefit business relationships with customers from,Europe,America and south Asia,supplying obsolete and hard-to-find components to meet their specific needs.

With the principle of “Quality Parts,Customers Priority,Honest Operation,and Considerate Service”,our business mainly focus on the distribution of electronic components. Line cards we deal with include Microchip,ALPS,ROHM,Xilinx,Pulse,ON,Everlight and Freescale. Main products comprise IC,Modules,Potentiometer,IC Socket,Relay,Connector.Our parts cover such applications as commercial,industrial, and automotives areas.

We are looking forward to setting up business relationship with you and hope to provide you with the best service and solution. Let us make a better world for our industry!



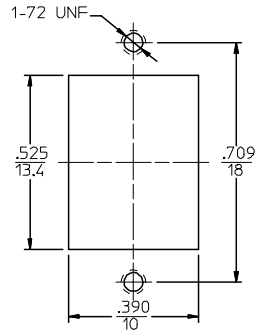
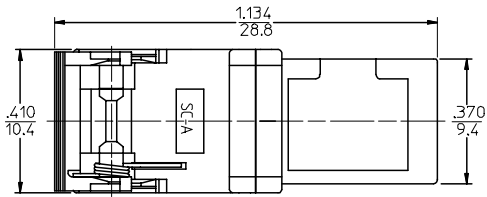
Contact us

Tel: +86-755-8981 8866 Fax: +86-755-8427 6832

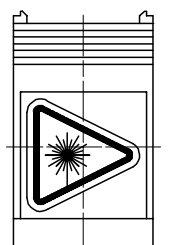
Email & Skype: info@chipsmall.com Web: www.chipsmall.com

Address: A1208, Overseas Decoration Building, #122 Zhenhua RD., Futian, Shenzhen, China

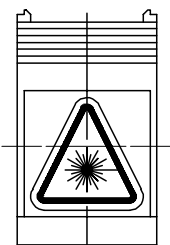




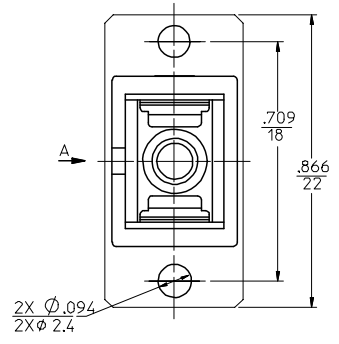
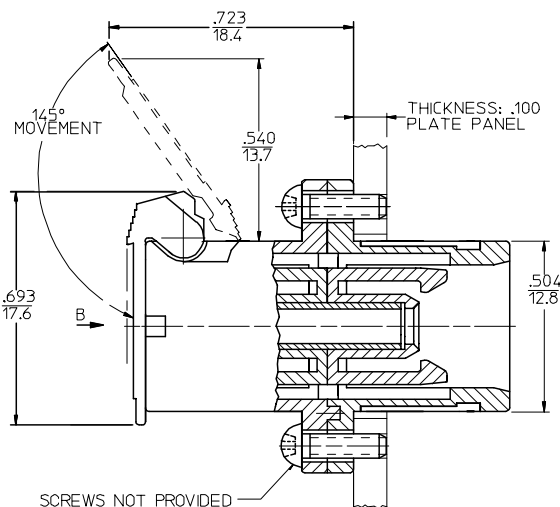
RECOMMENDED MOUNTING HOLE



VIEW B
VERSION 1
(SEE NOTE 2)



VIEW B
VERSION 2
(SEE NOTE 2)



- NOTES:
1. ALL DIMENSIONS ARE GIVEN IN $\frac{\text{INCHES}}{\text{mm}}$.
 2. LABEL MUST BE INSTALLED AND ORIENTED BY CUSTOMER.

| | | | | | | | |
|--|-----------------|---|----------------------|-----------------------|-------------------|---|-----------------------------|
| ENTER DESCRIPTION FC NO: MF2006-0396 DRWN: LKATARZIE/2005/12/21 CHKD: 2005/12/21 APPR: IGUMIN 2005/12/21 REVISIONS A | QUALITY SYMBOLS | GENERAL TOLERANCES (UNLESS SPECIFIED) | | SCALE 1:1 | DESIGN UNITS INCH | THIRD ANGLE PROJECTION | REVISE ON CAD ONLY |
| | ▽ - 0 | mm | INCH | DIMENSION STYLE IN/MM | | TITLE | |
| | ▽ - 0 | 4 PLACES ± --- ± --- | 3 PLACES ± --- ± --- | DRAWN BY LKATARZIE | DATE 11.22.2005 | SC ADAPTER STANDARD FOOTPRINT WITH SHUTTER W/O MOUNTING PLATE | |
| | | 2 PLACES ± --- ± --- | 1 PLACE ± --- ± --- | CHECKED BY | DATE | MOLEX INCORPORATED | |
| | ANGULAR ±1/2° | | APPROVED BY IGUMIN | | DATE 11.22.2005 | MATERIAL NO. 1061613600 | DOCUMENT NO. SD-106161-3600 |
| DRAFT WHERE APPLICABLE MUST REMAIN WITHIN DIMENSIONS | | THIS DRAWING CONTAINS INFORMATION THAT IS PROPRIETARY TO MOLEX INCORPORATED AND SHOULD NOT BE USED WITHOUT WRITTEN PERMISSION | | SHEET NO. 1 OF 1 | | | |