



Chipsmall Limited consists of a professional team with an average of over 10 year of expertise in the distribution of electronic components. Based in Hongkong, we have already established firm and mutual-benefit business relationships with customers from,Europe,America and south Asia,supplying obsolete and hard-to-find components to meet their specific needs.

With the principle of “Quality Parts,Customers Priority,Honest Operation,and Considerate Service”,our business mainly focus on the distribution of electronic components. Line cards we deal with include Microchip,ALPS,ROHM,Xilinx,Pulse,ON,Everlight and Freescale. Main products comprise IC,Modules,Potentiometer,IC Socket,Relay,Connector.Our parts cover such applications as commercial,industrial, and automotives areas.

We are looking forward to setting up business relationship with you and hope to provide you with the best service and solution. Let us make a better world for our industry!



## Contact us

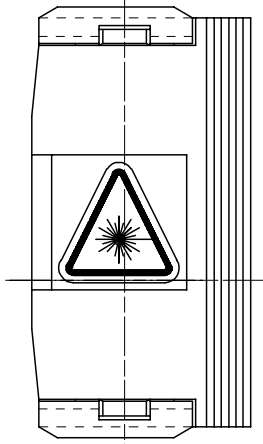
Tel: +86-755-8981 8866 Fax: +86-755-8427 6832

Email & Skype: info@chipsmall.com Web: www.chipsmall.com

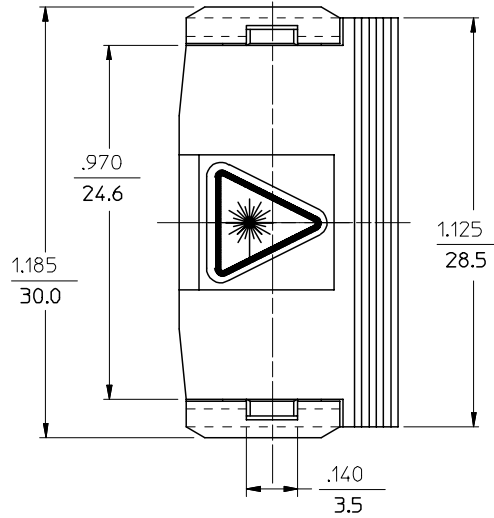
Address: A1208, Overseas Decoration Building, #122 Zhenhua RD., Futian, Shenzhen, China



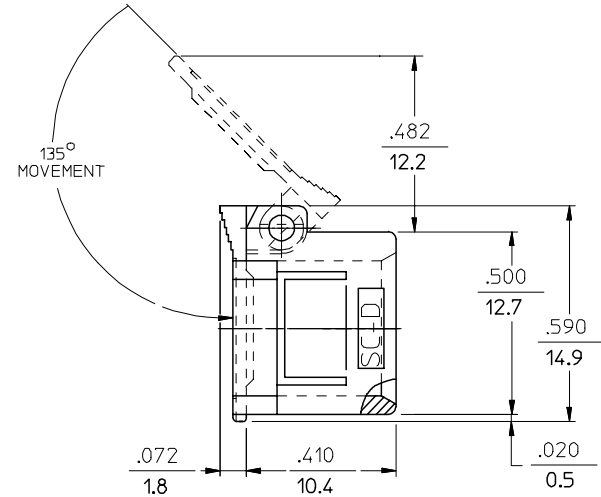
SHIELD ASSEMBLY P/N	COLOR
106166-0200	BLUE
106166-0210	BEIGE
106166-0230	BLACK
106166-0240	RED
106166-0250	GREEN
106166-0220	AQUA



VIEW A  
VARIATION 1  
FOR LABEL INSTALLATION  
(SEE NOTE 1)



VIEW A  
VARIATION 2  
FOR LABEL INSTALLATION  
(SEE NOTE 1)



NOTES:  
1. LABEL MUST BE INSTALLED AND ORIENTED BY CUSTOMER. (SEE VIEW A)

ENTER DESCRIPTION EC NO: MF2006-0237 DRWN:PGIBLIN CHKD: APPR:IGUMIN 2005/11/29 2005/11/29 2005/11/29	QUALITY SYMBOLS ▽=0 ▽=0	GENERAL TOLERANCES (UNLESS SPECIFIED)		DIMENSION STYLE	SCALE	DESIGN UNITS	THIRD ANGLE PROJECTION	
				IN/MM	4:1	INCH		
		4 PLACES	± ---	± ---	DRAWN BY	DATE	TITLE	
		3 PLACES	± ---	± ---	RPACIFIC I	2005/10/11	SHIELD ASSEMBLY (SC-D)	
2 PLACES	± ---	± ---	CHECKED BY	DATE	APPROVED BY			
1 PLACE	± ---	± ---	APPROVED BY		DATE	MATERIAL NO.		
ANGULAR ±1/2°		DRAFT WHERE APPLICABLE MUST REMAIN WITHIN DIMENSIONS		SEE TABLE		DOCUMENT NO.		
REV		DESCRIPTION		SIZE		SHEET NO.		
A				B		SD-106166-02X0		
				THIS DRAWING CONTAINS INFORMATION THAT IS PROPRIETARY TO MOLEX INCORPORATED AND SHOULD NOT BE USED WITHOUT WRITTEN PERMISSION				