



Chipsmall Limited consists of a professional team with an average of over 10 year of expertise in the distribution of electronic components. Based in Hongkong, we have already established firm and mutual-benefit business relationships with customers from,Europe,America and south Asia,supplying obsolete and hard-to-find components to meet their specific needs.

With the principle of “Quality Parts,Customers Priority,Honest Operation,and Considerate Service”,our business mainly focus on the distribution of electronic components. Line cards we deal with include Microchip,ALPS,ROHM,Xilinx,Pulse,ON,Everlight and Freescale. Main products comprise IC,Modules,Potentiometer,IC Socket,Relay,Connector.Our parts cover such applications as commercial,industrial, and automotives areas.

We are looking forward to setting up business relationship with you and hope to provide you with the best service and solution. Let us make a better world for our industry!



## Contact us

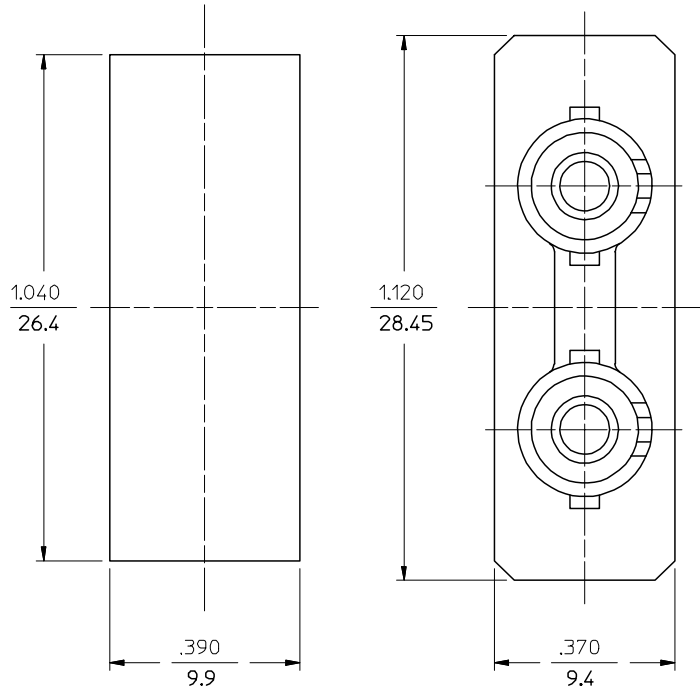
Tel: +86-755-8981 8866 Fax: +86-755-8427 6832

Email & Skype: info@chipsmall.com Web: www.chipsmall.com

Address: A1208, Overseas Decoration Building, #122 Zhenhua RD., Futian, Shenzhen, China

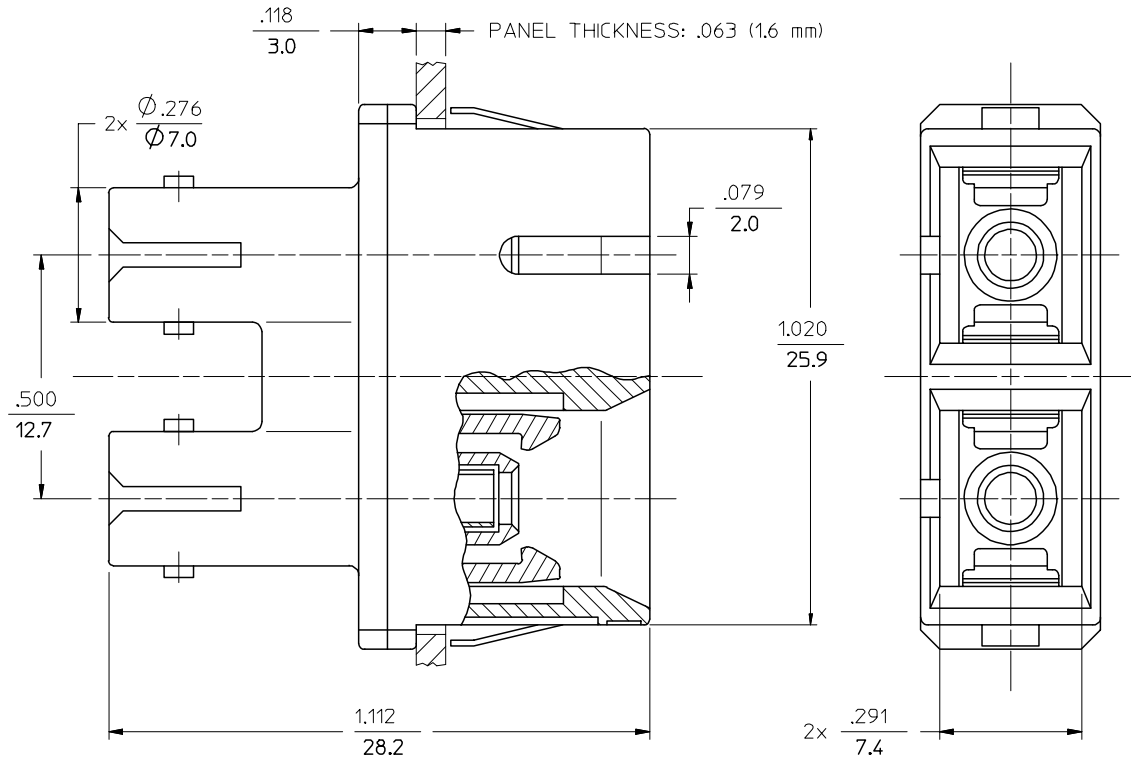


P/N OF ADAPTER	MATERIAL OF SLEEVE	TYPE	COLOR
106166-1100	ZR	SINGLE MODE	BLUE
106167-1100	PHOSPHOR BRONZE		
106166-1110	ZR	MULTIMODE	BEIGE
106167-1110	PHOSPHOR BRONZE		
106166-1130	ZR		
106167-1130	PHOSPHOR BRONZE		
106167-1120	ZR		AQUA



RECOMMENDED MOUNTING HOLE

NOTES:  
DUST CAPS ARE NOT SHOWN, BUT INCLUDED.



<b>ENTER DESCRIPTION</b> EC NO: MF2006-0237 DRW: NPG/BLN CHKD: 2005/11/29 APPR: IGUMIN 2005/11/29	<b>QUALITY SYMBOLS</b> = 0 = 0	<b>GENERAL TOLERANCES (UNLESS SPECIFIED)</b>		<b>DIMENSION STYLE</b> IN/MM	<b>SCALE</b> 4:1	<b>DESIGN UNITS</b> INCH	<b>THIRD ANGLE PROJECTION</b>
		4 PLACES ± --- ± ---	DRAWN BY: RPACIFICI DATE: 2005/10/11	<b>TITLE</b> DUPLEX ADAPTER (SC-D/ST, FLANGELESS)			
		3 PLACES ± --- ± ---	CHECKED BY: _____ DATE: _____	<b>APPROVED BY</b> : _____ <b>DATE</b> : _____			
		2 PLACES ± --- ± --- 1 PLACE ± --- ± --- ANGULAR ±1/2°	<b>MATERIAL NO.</b> SEE TABLE	<b>DOCUMENT NO.</b> SD-10616X-11X0	<b>SHEET NO.</b> 1 OF 1		
<b>DRAFT WHERE APPLICABLE MUST REMAIN WITHIN DIMENSIONS</b>		<b>THIS DRAWING CONTAINS INFORMATION THAT IS PROPRIETARY TO MOLEX INCORPORATED AND SHOULD NOT BE USED WITHOUT WRITTEN PERMISSION</b>					