



Chipsmall Limited consists of a professional team with an average of over 10 year of expertise in the distribution of electronic components. Based in Hongkong, we have already established firm and mutual-benefit business relationships with customers from,Europe,America and south Asia,supplying obsolete and hard-to-find components to meet their specific needs.

With the principle of "Quality Parts,Customers Priority,Honest Operation,and Considerate Service",our business mainly focus on the distribution of electronic components. Line cards we deal with include Microchip,ALPS,ROHM,Xilinx,Pulse,ON,Everlight and Freescale. Main products comprise IC,Modules,Potentiometer,IC Socket,Relay,Connector.Our parts cover such applications as commercial,industrial, and automotives areas.

We are looking forward to setting up business relationship with you and hope to provide you with the best service and solution. Let us make a better world for our industry!



## Contact us

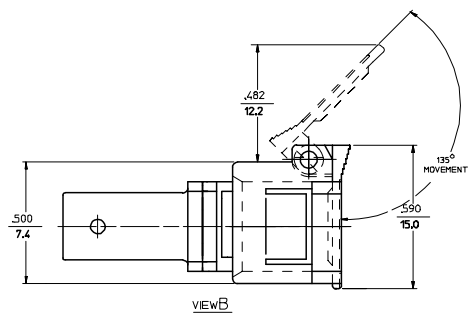
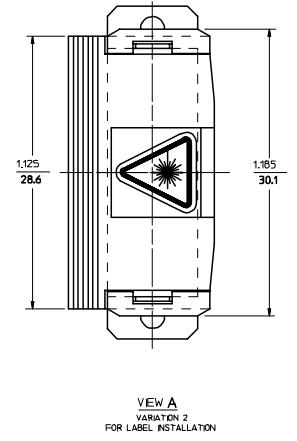
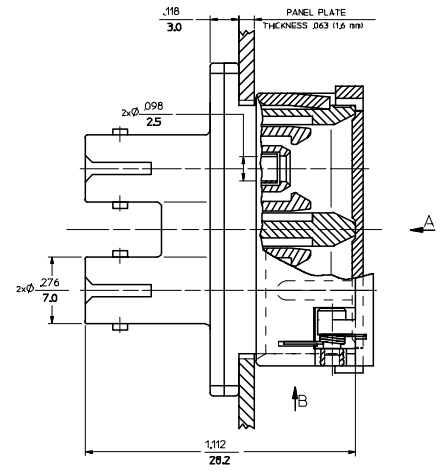
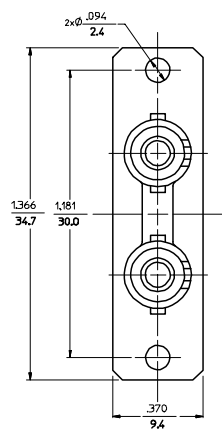
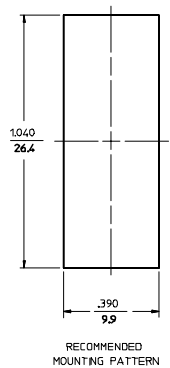
Tel: +86-755-8981 8866 Fax: +86-755-8427 6832

Email & Skype: info@chipsmall.com Web: www.chipsmall.com

Address: A1208, Overseas Decoration Building, #122 Zhenhua RD., Futian, Shenzhen, China



ADAPTER		SC-ST DUPLEX ADAPTER W/O MOUNTING PLATE		SHIELD ASSEMBLY	
P/N	P/N	COLOR	SLEEVE MATERIAL	P/N	COLOR
106166-500	106166-0200	BLUE	2R	106166-0200	BLUE
106167-500	106167-0200		PHOSPHOR BRONZE		
106166-510	106166-0210	BEIGE	2R	106166-0210	BEIGE
106167-510	106167-0210		PHOSPHOR BRONZE		
106166-530	106166-0230	BLACK	2R	106166-0230	BLACK
106167-530	106167-0230		PHOSPHOR BRONZE		



NOTES:  
1. LABEL MUST BE INSTALLED AND ORIENTED BY CUSTOMER (SEE VIEW A).  
2. DUST CAPS ARE NOT SHOWN, BUT INCLUDED.

<b>ENTER DESCRIPTION</b> EC NO: MF2006-0237 DRAWN: P. BILIN 2005/11/29 CHKD: CHKCD 2005/11/29 APPR: L. GUMIN 2005/11/29 A	<b>QUALITY SYMBOLS</b> ▽=0 ▽=0	<b>GENERAL TOLERANCES (UNLESS SPECIFIED)</b> <table border="1"> <tr> <th></th> <th>mm</th> <th>INCH</th> </tr> <tr> <td>4 PLACES</td> <td>± .125</td> <td>± .005</td> </tr> <tr> <td>3 PLACES</td> <td>± .150</td> <td>± .006</td> </tr> <tr> <td>2 PLACES</td> <td>± .175</td> <td>± .007</td> </tr> <tr> <td>1 PLACE</td> <td>± .200</td> <td>± .008</td> </tr> </table>		mm	INCH	4 PLACES	± .125	± .005	3 PLACES	± .150	± .006	2 PLACES	± .175	± .007	1 PLACE	± .200	± .008	<b>DIMENSION STYLE</b> IN/MM	<b>SCALE</b> 4:1	<b>DESIGN UNITS</b> INCH	<input checked="" type="checkbox"/> THIRD ANGLE PROJECTION
		mm	INCH																		
	4 PLACES	± .125	± .005																		
	3 PLACES	± .150	± .006																		
2 PLACES	± .175	± .007																			
1 PLACE	± .200	± .008																			
<b>DESCRIPTION</b> SC-ST DUPLEX ADAPTER WITH SHIELD	<b>DRAWN BY</b> RPAC (FIC)	<b>DATE</b> 2005/10/11	<b>CHECKED BY</b> DATE	<b>APPROVED BY</b> DATE	<b>MATERIAL NO.</b> SEE TABLE	<b>DOCUMENT NO.</b> SD-10616X-15X0															
<b>DRAFT WHERE APPLICABLE MUST REMAIN WITHIN DIMENSIONS</b>	<b>SIZE</b> D	<b>THIS DRAWING CONTAINS INFORMATION THAT IS PROPRIETARY TO MOLEX INCORPORATED AND SHOULD NOT BE USED WITHOUT WRITTEN PERMISSION</b>	<b>MOLEX</b> MOLEX INCORPORATED	<b>SHEET NO.</b> 1 OF 01																	