



Chipsmall Limited consists of a professional team with an average of over 10 year of expertise in the distribution of electronic components. Based in Hongkong, we have already established firm and mutual-benefit business relationships with customers from,Europe,America and south Asia,supplying obsolete and hard-to-find components to meet their specific needs.

With the principle of “Quality Parts,Customers Priority,Honest Operation,and Considerate Service”,our business mainly focus on the distribution of electronic components. Line cards we deal with include Microchip,ALPS,ROHM,Xilinx,Pulse,ON,Everlight and Freescale. Main products comprise IC,Modules,Potentiometer,IC Socket,Relay,Connector.Our parts cover such applications as commercial,industrial, and automotives areas.

We are looking forward to setting up business relationship with you and hope to provide you with the best service and solution. Let us make a better world for our industry!



Contact us

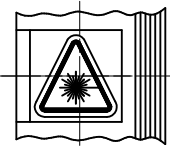
Tel: +86-755-8981 8866 Fax: +86-755-8427 6832

Email & Skype: info@chipsmall.com Web: www.chipsmall.com

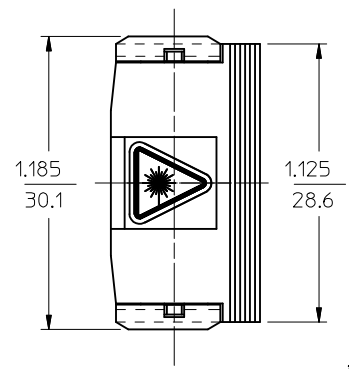
Address: A1208, Overseas Decoration Building, #122 Zhenhua RD., Futian, Shenzhen, China



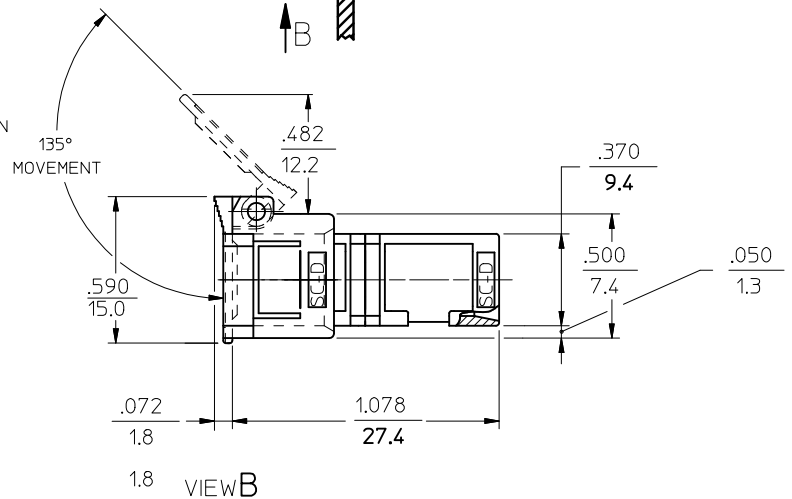
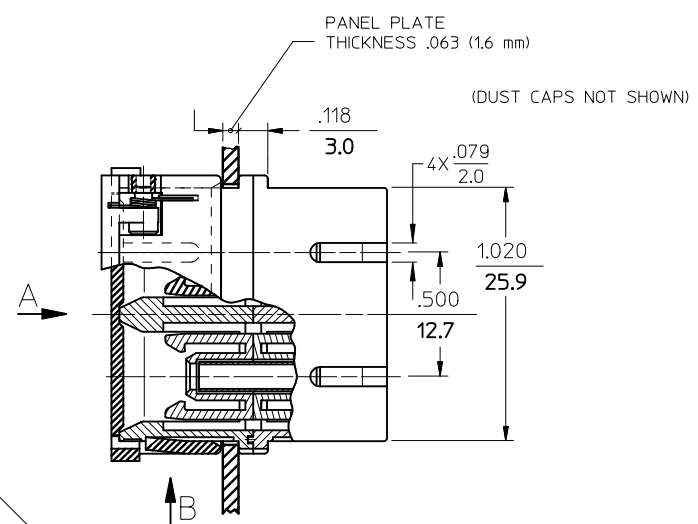
10 9 8 7 6 5 4 3 2 1



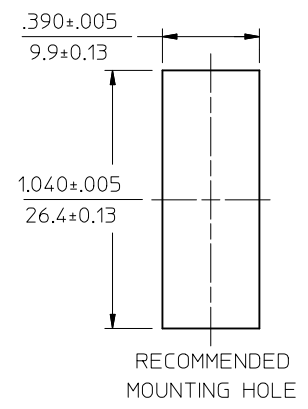
VIEW A
VARIATION 1
FOR LABEL INSTALLATION



VIEW A
VARIATION 2
FOR LABEL INSTALLATION



P/N OF ADAPTER	MATERIAL OF SLEEVE	TYPE	COLOR
106166-0600	ZR	SINGLE MODE	BLUE
106167-0600	PHOSPHOR BRONZE		
106166-0610	ZR	MULTIMODE	BEIGE
106167-0610	PHOSPHOR BRONZE		
106166-0630	ZR		
106167-0630	PHOSPHOR BRONZE		
106166-0650	ZR	APC	GREEN
106167-0650	PHOSPHOR BRONZE	MULTIMODE	AQUA
106167-0620			



NOTES:

- LABEL MUST BE INSTALLED AND ORIENTED BY CUSTOMER. (SEE VIEW A)
- DUST CAPS AND MOUNTING PLATE ARE NOT SHOWN BUT INCLUDED. MOUNTING PLATE IS PACKED WITH ADAPTER AND INSTALLED BY A CUSTOMER.

ENTER DESCRIPTION
EC NO: MF2011-0258
DRAWN: KPEVZNER 2010/12/08
CHKD: WCHEN
APPR: WCHEN 2010/12/09

QUALITY SYMBOLS
▽=0
▽=0

	GENERAL TOLERANCES (UNLESS SPECIFIED)	
	mm	INCH
4 PLACES	± .005	± .0004
3 PLACES	± .004	± .0003
2 PLACES	± .003	± .0002
1 PLACE	± .002	± .0001
ANGULAR ±1/2°		

DRAFT WHERE APPLICABLE MUST REMAIN WITHIN DIMENSIONS

DIMENSION STYLE
IN/MM

DRAWN BY
KPEVZNER

DATE
2010/09/30

CHECKED BY
DATE

APPROVED BY
WCHEN

DATE
2010/12/09

MATERIAL NO.
SEE TABLE

SIZE
B

SCALE
4:1

DESIGN UNITS
INCH

THIRD ANGLE PROJECTION

TITLE
SC DUPLEX ADAPTER WITH SHIELD

MOLEX INCORPORATED

DOCUMENT NO.
SD-10616X-06X0

SHEET NO.
1 OF 1

THIS DRAWING CONTAINS INFORMATION THAT IS PROPRIETARY TO MOLEX INCORPORATED AND SHOULD NOT BE USED WITHOUT WRITTEN PERMISSION

9 8 7 6 5 4 3 2 1