



Chipsmall Limited consists of a professional team with an average of over 10 year of expertise in the distribution of electronic components. Based in Hongkong, we have already established firm and mutual-benefit business relationships with customers from,Europe,America and south Asia,supplying obsolete and hard-to-find components to meet their specific needs.

With the principle of “Quality Parts,Customers Priority,Honest Operation,and Considerate Service”,our business mainly focus on the distribution of electronic components. Line cards we deal with include Microchip,ALPS,ROHM,Xilinx,Pulse,ON,Everlight and Freescale. Main products comprise IC,Modules,Potentiometer,IC Socket,Relay,Connector.Our parts cover such applications as commercial,industrial, and automotives areas.

We are looking forward to setting up business relationship with you and hope to provide you with the best service and solution. Let us make a better world for our industry!



## Contact us

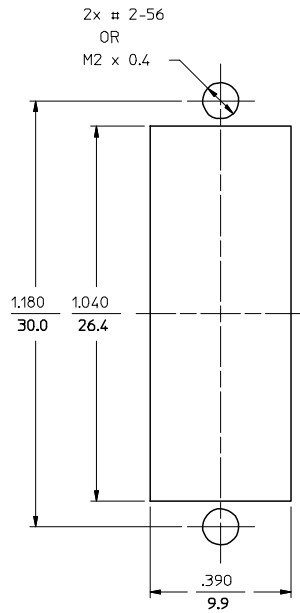
Tel: +86-755-8981 8866 Fax: +86-755-8427 6832

Email & Skype: info@chipsmall.com Web: www.chipsmall.com

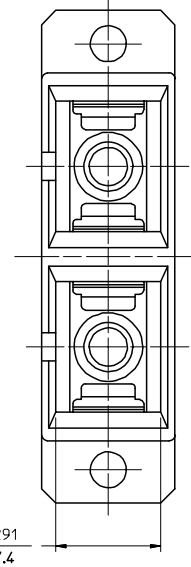
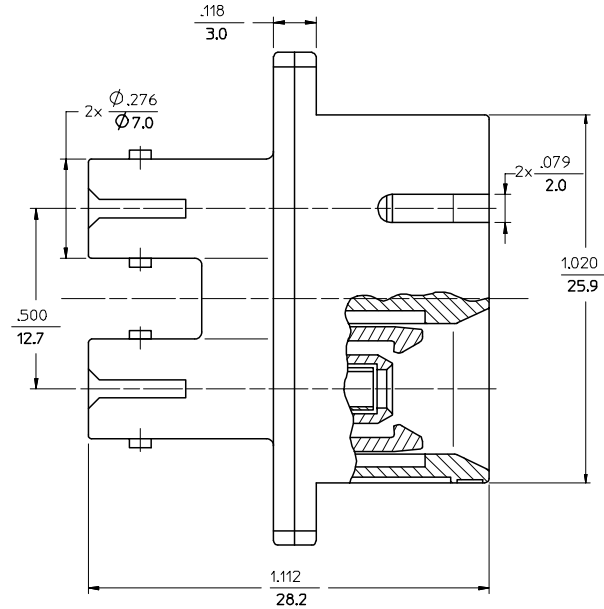
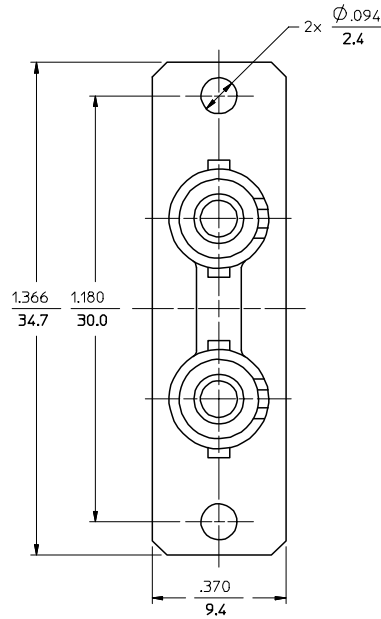
Address: A1208, Overseas Decoration Building, #122 Zhenhua RD., Futian, Shenzhen, China



P/N OF ADAPTER	MATERIAL OF SLEEVE	TYPE	COLOR
106166-1000	ZR	SINGLE MODE	BLUE
106167-1000	PHOSPHOR BRONZE		
106166-1010	ZR	MULTIMODE	BEIGE
106167-1010	PHOSPHOR BRONZE		
106166-1030	ZR	MULTIMODE	BLACK
106167-1030	PHOSPHOR BRONZE		



RECOMMENDED MOUNTING PATTERN



NOTE:  
DUST CAPS ARE NOT SHOWN BUT INCLUDED.

ENTER DESCRIPTION EC NO: MF2006-0237 DRAWN BY: JGUMIN CHKD: JGUMIN APPR: JGUMIN DATE: 2005/11/29 DATE: 2005/11/29	QUALITY SYMBOLS ▽=0 ▽=0	GENERAL TOLERANCES (UNLESS SPECIFIED)		DIMENSION STYLE IN/MM		SCALE 4:1	DESIGN UNITS INCH	THIRD ANGLE PROJECTION		
		mm		INCH		DRAWN BY RPACIFICI	DATE 2005/10/11	TITLE DUPLX ADAPTER (SC-D/ST)		
		4 PLACES ± ---		± ---		CHECKED BY		DATE		MATERIAL NO.
		3 PLACES ± ---		± ---		APPROVED BY		DATE		DOCUMENT NO.
2 PLACES ± ---		± ---		ANGULAR ±1/2°		MATERIAL NO.		DOCUMENT NO.		
1 PLACE ± ---		± ---		DRAFT WHERE APPLICABLE MUST REMAIN WITHIN DIMENSIONS		SIZE C		SEE TABLE		
A		A		A		A		A		