



Chipsmall Limited consists of a professional team with an average of over 10 year of expertise in the distribution of electronic components. Based in Hongkong, we have already established firm and mutual-benefit business relationships with customers from,Europe,America and south Asia,supplying obsolete and hard-to-find components to meet their specific needs.

With the principle of "Quality Parts,Customers Priority,Honest Operation,and Considerate Service",our business mainly focus on the distribution of electronic components. Line cards we deal with include Microchip,ALPS,ROHM,Xilinx,Pulse,ON,Everlight and Freescale. Main products comprise IC,Modules,Potentiometer,IC Socket,Relay,Connector.Our parts cover such applications as commercial,industrial, and automotives areas.

We are looking forward to setting up business relationship with you and hope to provide you with the best service and solution. Let us make a better world for our industry!



Contact us

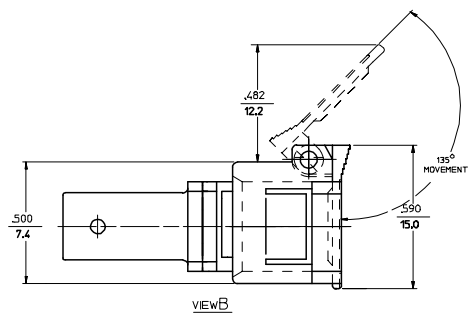
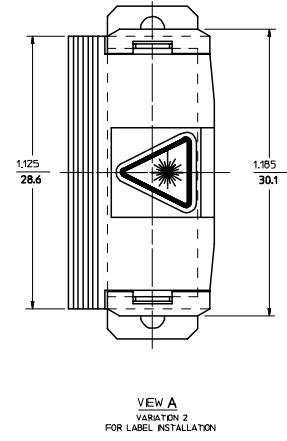
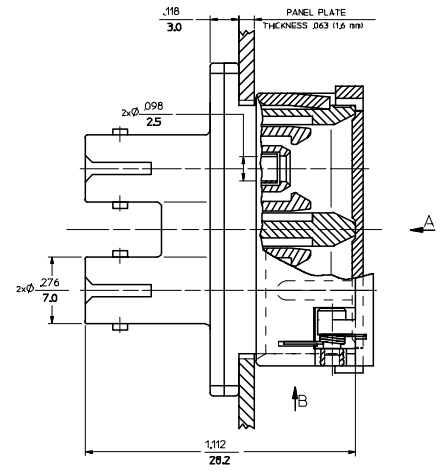
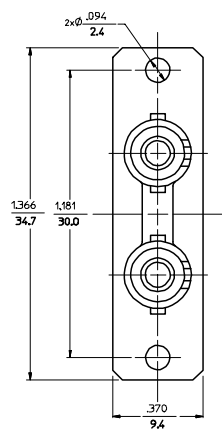
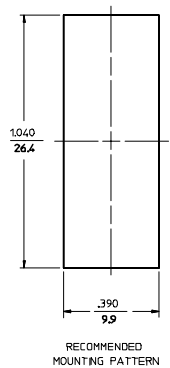
Tel: +86-755-8981 8866 Fax: +86-755-8427 6832

Email & Skype: info@chipsmall.com Web: www.chipsmall.com

Address: A1208, Overseas Decoration Building, #122 Zhenhua RD., Futian, Shenzhen, China



ADAPTER		SC-ST DUPLEX ADAPTER W/O MOUNTING PLATE		SHIELD ASSEMBLY	
P/N	P/N	COLOR	SLEEVE MATERIAL	P/N	COLOR
106166-500	106166-0200	BLUE	ZR	106166-0200	BLUE
106167-500	106167-0200		PHOSPHOR BRONZE		
106166-510	106166-0210	BEIGE	ZR	106166-0210	BEIGE
106167-510	106167-0210		PHOSPHOR BRONZE		
106166-530	106166-0230	BLACK	ZR	106166-0230	BLACK
106167-530	106167-0230		PHOSPHOR BRONZE		



NOTES:
1. LABEL MUST BE INSTALLED AND ORIENTED BY CUSTOMER (SEE VIEW A).
2. DUST CAPS ARE NOT SHOWN, BUT INCLUDED.

ENTER DESCRIPTION EC NO: MF2006-0237 DRAWN: P. BLIN 2005/11/29 CHKD: CHK 2005/11/29 APPR: L. GUMIN 2005/11/29	QUALITY SYMBOLS	GENERAL TOLERANCES (UNLESS SPECIFIED)	DIMENSION STYLE	SCALE	DESIGN UNITS	THIRD ANGLE PROJECTION															
	▽=0 ▽=0	<table border="1"> <tr> <th></th> <th>mm</th> <th>INCH</th> </tr> <tr> <td>4 PLACES</td> <td>± .125</td> <td>± .005</td> </tr> <tr> <td>3 PLACES</td> <td>± .150</td> <td>± .006</td> </tr> <tr> <td>2 PLACES</td> <td>± .175</td> <td>± .007</td> </tr> <tr> <td>1 PLACE</td> <td>± .200</td> <td>± .008</td> </tr> </table>		mm	INCH	4 PLACES	± .125	± .005	3 PLACES	± .150	± .006	2 PLACES	± .175	± .007	1 PLACE	± .200	± .008	IN/MM	4:1	INCH	
		mm	INCH																		
	4 PLACES	± .125	± .005																		
3 PLACES	± .150	± .006																			
2 PLACES	± .175	± .007																			
1 PLACE	± .200	± .008																			
DESCRIPTION	<table border="1"> <tr> <th>mm</th> <th>INCH</th> </tr> <tr> <td>ANGULAR</td> <td>±1/2°</td> </tr> </table>	mm	INCH	ANGULAR	±1/2°	DRAWN BY: RPAC (FIC) DATE: 2005/10/11 CHECKED BY: DATE: APPROVED BY: DATE:	TITLE														
mm	INCH																				
ANGULAR	±1/2°																				
REV A	DRAFT WHERE APPLICABLE MUST REMAIN WITHIN DIMENSIONS	SIZE D	MATERIAL NO. SEE TABLE	DOCUMENT NO. SD-10616X-15X0	MOLEX INCORPORATED SHEET NO. 1 OF 01																