



Chipsmall Limited consists of a professional team with an average of over 10 year of expertise in the distribution of electronic components. Based in Hongkong, we have already established firm and mutual-benefit business relationships with customers from,Europe,America and south Asia,supplying obsolete and hard-to-find components to meet their specific needs.

With the principle of “Quality Parts,Customers Priority,Honest Operation,and Considerate Service”,our business mainly focus on the distribution of electronic components. Line cards we deal with include Microchip,ALPS,ROHM,Xilinx,Pulse,ON,Everlight and Freescale. Main products comprise IC,Modules,Potentiometer,IC Socket,Relay,Connector.Our parts cover such applications as commercial,industrial, and automotives areas.

We are looking forward to setting up business relationship with you and hope to provide you with the best service and solution. Let us make a better world for our industry!



Contact us

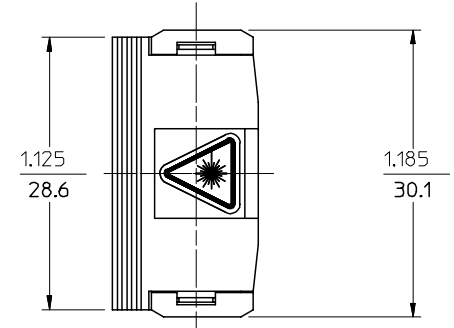
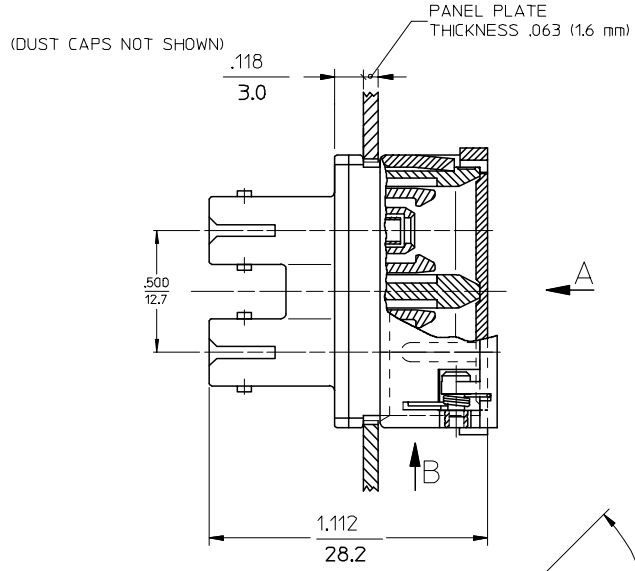
Tel: +86-755-8981 8866 Fax: +86-755-8427 6832

Email & Skype: info@chipsmall.com Web: www.chipsmall.com

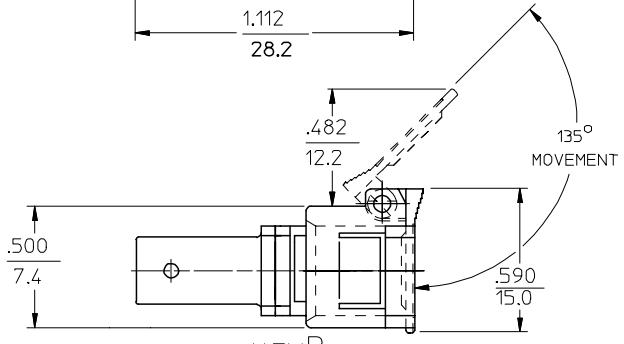
Address: A1208, Overseas Decoration Building, #122 Zhenhua RD., Futian, Shenzhen, China



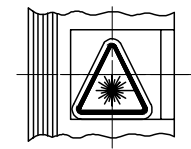
P/N OF ADAPTER	MATERIAL OF SLEEVE	TYPE	COLOR
106166-1600	ZR	SINGLE MODE	BLUE
106167-1600	PHOSPHOR BRONZE		
106166-1610	ZR	MULTIMODE	BEIGE
106167-1610	PHOSPHOR BRONZE		
106166-1630	ZR		
106167-1630	PHOSPHOR BRONZE		
106167-1620	ZR		AQUA



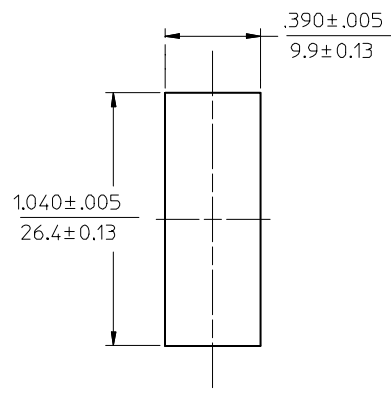
VIEW A
VARIATION 2
FOR LABEL INSTALLATION



VIEW B



VIEW A
VARIATION 1
FOR LABEL INSTALLATION



RECOMMENDED MOUNTING PATTERN (SHIELD NOT SHOWN)

- NOTES:
 1. LABEL MUST BE INSTALLED AND ORIENTED BY CUSTOMER. (SEE VIEW A)
 2. DUST CAPS ARE NOT SHOWN BUT INCLUDED.

ENTER DESCRIPTION EC NO: MF2006-0237 DRW: NPG/BLIN 2005/11/29 CHKD: 2005/11/29 APPR: IGUMIN 2005/11/29 A	QUALITY SYMBOLS ▽=0 ▽=0	GENERAL TOLERANCES (UNLESS SPECIFIED)		DIMENSION STYLE IN/MM		SCALE 4:1	DESIGN UNITS INCH	THIRD ANGLE PROJECTION	
		4 PLACES ± --- ± ---	3 PLACES ± --- ± ---	DRAWN BY RPACIFICI	DATE 2005/10/11	TITLE SC-ST DUPLEX ADAPTER WITH SHIELD			
		2 PLACES ± --- ± ---	1 PLACE ± --- ± ---	CHECKED BY	DATE				
		ANGULAR ±1/2°		APPROVED BY	DATE	MOLEX MOLEX INCORPORATED			
DRAFT WHERE APPLICABLE MUST REMAIN WITHIN DIMENSIONS		MATERIAL NO. SEE TABLE	DOCUMENT NO. SD-10616X-16X0	SHEET NO. 1 OF 1					
		SIZE B	THIS DRAWING CONTAINS INFORMATION THAT IS PROPRIETARY TO MOLEX INCORPORATED AND SHOULD NOT BE USED WITHOUT WRITTEN PERMISSION						