



Chipsmall Limited consists of a professional team with an average of over 10 year of expertise in the distribution of electronic components. Based in Hongkong, we have already established firm and mutual-benefit business relationships with customers from,Europe,America and south Asia,supplying obsolete and hard-to-find components to meet their specific needs.

With the principle of "Quality Parts,Customers Priority,Honest Operation,and Considerate Service",our business mainly focus on the distribution of electronic components. Line cards we deal with include Microchip,ALPS,ROHM,Xilinx,Pulse,ON,Everlight and Freescale. Main products comprise IC,Modules,Potentiometer,IC Socket,Relay,Connector.Our parts cover such applications as commercial,industrial, and automotives areas.

We are looking forward to setting up business relationship with you and hope to provide you with the best service and solution. Let us make a better world for our industry!



Contact us

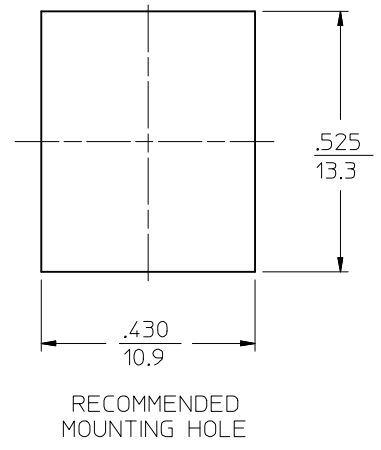
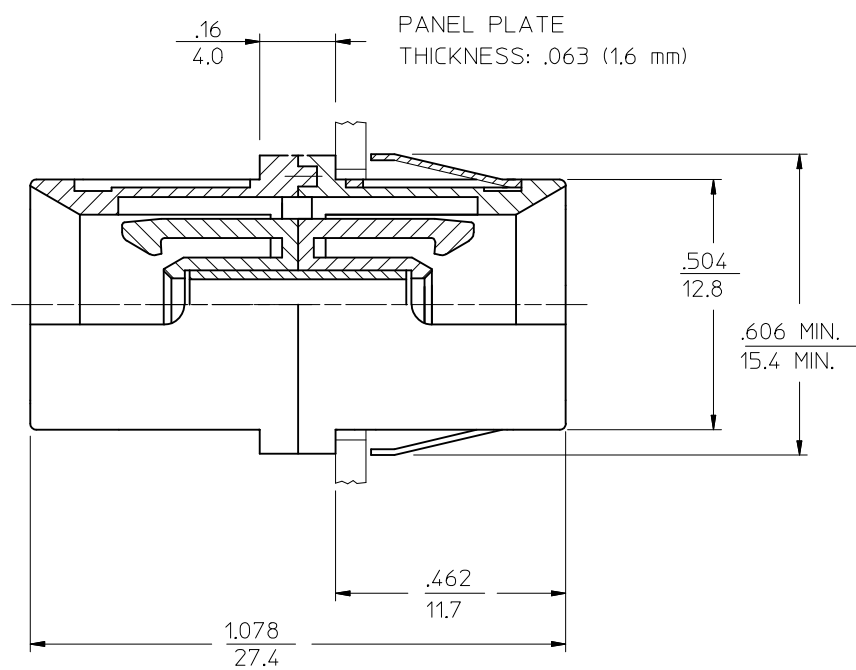
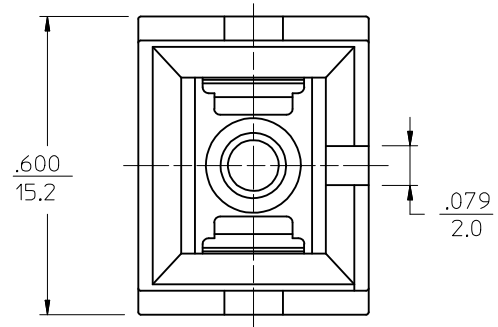
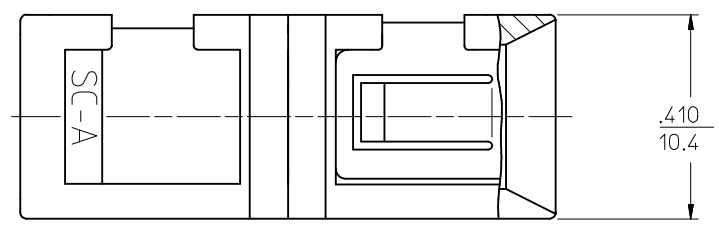
Tel: +86-755-8981 8866 Fax: +86-755-8427 6832

Email & Skype: info@chipsmall.com Web: www.chipsmall.com

Address: A1208, Overseas Decoration Building, #122 Zhenhua RD., Futian, Shenzhen, China



10	9	8
P/N OF ADAPTER	MATERIAL OF SPLIT SLEEVE	COLOR OF ADAPTER SHELL
106170-0100	CERAMIC	BLACK
106171-0100	PHOSPHOR BRONZE	
106170-0120	CERAMIC	GREEN
106171-0120	PHOSPHOR BRONZE	
106171-1120*	PHOSPHOR BRONZE	RED
106170-0130	CERAMIC	
106171-0130	PHOSPHOR BRONZE	BLUE
106170-0150	CERAMIC	
106170-0153*	CERAMIC	BLUE
106171-0150	PHOSPHOR BRONZE	



- NOTES:
- DUST CAPS ARE NOT SHOWN BUT INCLUDED.
 - P/Ns 106171-1120 AND 106170-0153 ARE BULK PACKED ADAPTER KITS OF 100 PCS.
 - PLASTICS USED IN ADAPTERS ARE UL-94 V-0 RATED.

ENTER DESCRIPTION EC NO: MF2013-0749 DRAWN: LGUMIN 2013/06/04 CHKD: LGUMIN 2013/06/12 APPR: LGUMIN 2013/06/12 B	QUALITY SYMBOLS ▽=0 ▽=0	GENERAL TOLERANCES (UNLESS SPECIFIED)		DIMENSION STYLE IN/MM		SCALE 4:1	DESIGN UNITS INCH	THIRD ANGLE PROJECTION	
		4 PLACES ± --- ± --- 3 PLACES ± --- ± --- 2 PLACES ± --- ± --- 1 PLACE ± --- ± ---	mm INCH ± --- ± --- ± --- ± --- ± --- ± --- ± --- ± ---	DRAWN BY RPACIFICI	DATE 2005/10/11	TITLE SC SMALL FLANGE ADAPTER			
		ANGULAR ±1/2°		APPROVED BY WCHEN	DATE 2010/07/01	MOLEX INCORPORATED			
		DRAFT WHERE APPLICABLE MUST REMAIN WITHIN DIMENSIONS		MATERIAL NO. SEE TABLE	DOCUMENT NO. SD-10617X-01X0	SHEET NO. 1 OF 01			