



Chipsmall Limited consists of a professional team with an average of over 10 year of expertise in the distribution of electronic components. Based in Hongkong, we have already established firm and mutual-benefit business relationships with customers from,Europe,America and south Asia,supplying obsolete and hard-to-find components to meet their specific needs.

With the principle of “Quality Parts,Customers Priority,Honest Operation,and Considerate Service”,our business mainly focus on the distribution of electronic components. Line cards we deal with include Microchip,ALPS,ROHM,Xilinx,Pulse,ON,Everlight and Freescale. Main products comprise IC,Modules,Potentiometer,IC Socket,Relay,Connector.Our parts cover such applications as commercial,industrial, and automotives areas.

We are looking forward to setting up business relationship with you and hope to provide you with the best service and solution. Let us make a better world for our industry!



## Contact us

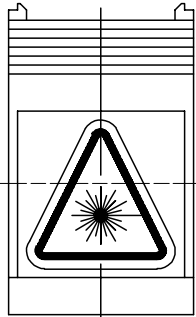
Tel: +86-755-8981 8866 Fax: +86-755-8427 6832

Email & Skype: info@chipsmall.com Web: www.chipsmall.com

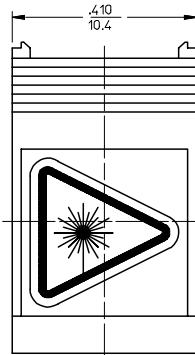
Address: A1208, Overseas Decoration Building, #122 Zhenhua RD., Futian, Shenzhen, China



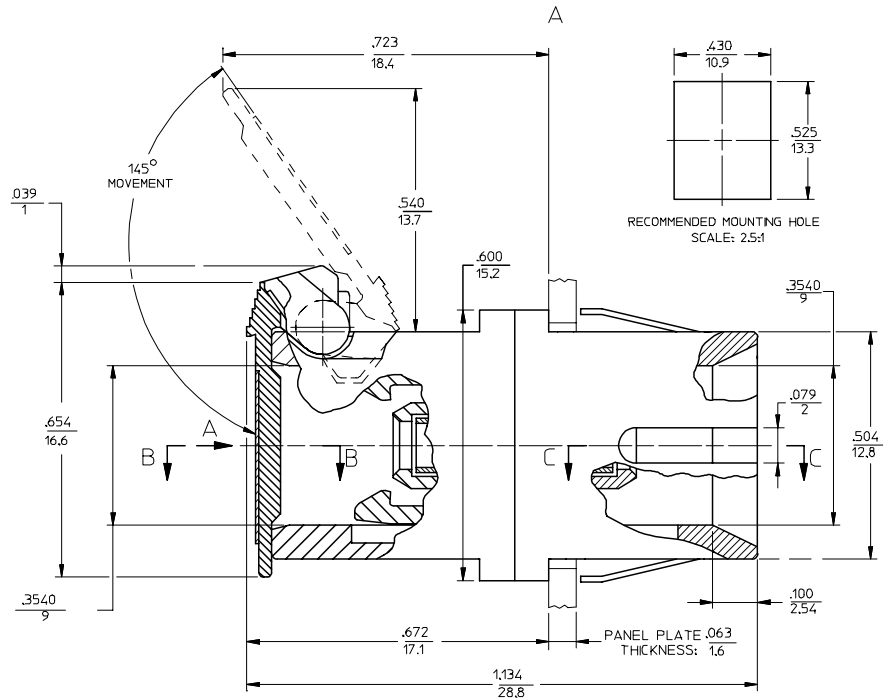
ADAPTER P/N	SPLIT SLEEVE MATERIAL	COLOR OF ADAPTER
106170-0400	ZR	BLACK
106170-0420		GREEN
106170-0430		RED
106171-0400	PHOSPHOR BRONZE	BLACK
106171-0420		GREEN
106171-0430		RED



VIEW A  
VERSION 2



VIEW A  
VERSION 1



NOTES:

- LABEL MUST BE INSTALLED AND ORIENTED BY CUSTOMER. (SEE VIEW A)
- DUST CAP NOT SHOWN, BUT INCLUDED.

ENTER DESCRIPTION EC NO: MF2006-0237 DRAWN: JGIBLIN 2005/11/29 CHKD: 2005/11/29 APPR: JGUMIN 2005/11/29 REV: A	QUALITY SYMBOLS = 0 = 0	GENERAL TOLERANCES (UNLESS SPECIFIED)		DIMENSION STYLE IN/MM	SCALE 4:1	DESIGN UNITS INCH	THIRD ANGLE PROJECTION	
		4 PLACES ± --- ± --- 3 PLACES ± --- ± --- 2 PLACES ± --- ± --- 1 PLACE ± --- ± ---	DRAWN BY RPACIFICI	DATE 2005/10/13	TITLE BSC ADAPTER WITH SHIELD			
		ANGULAR ±1/2°	CHECKED BY DATE	APPROVED BY DATE	MATERIAL NO. SEE TABLE			
		DRAFT WHERE APPLICABLE MUST REMAIN WITHIN DIMENSIONS	SIZE C	DOCUMENT NO. SD-10617X-X4X0	SHEET NO. 1 OF 01			