



Chipsmall Limited consists of a professional team with an average of over 10 year of expertise in the distribution of electronic components. Based in Hongkong, we have already established firm and mutual-benefit business relationships with customers from,Europe,America and south Asia,supplying obsolete and hard-to-find components to meet their specific needs.

With the principle of “Quality Parts,Customers Priority,Honest Operation,and Considerate Service”,our business mainly focus on the distribution of electronic components. Line cards we deal with include Microchip,ALPS,ROHM,Xilinx,Pulse,ON,Everlight and Freescale. Main products comprise IC,Modules,Potentiometer,IC Socket,Relay,Connector.Our parts cover such applications as commercial,industrial, and automotives areas.

We are looking forward to setting up business relationship with you and hope to provide you with the best service and solution. Let us make a better world for our industry!



Contact us

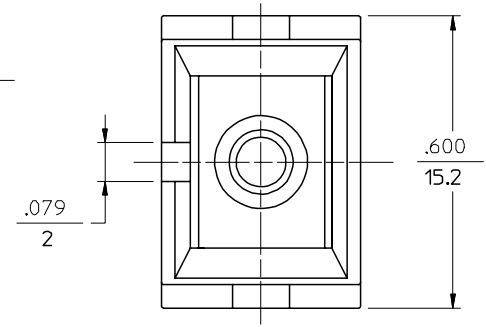
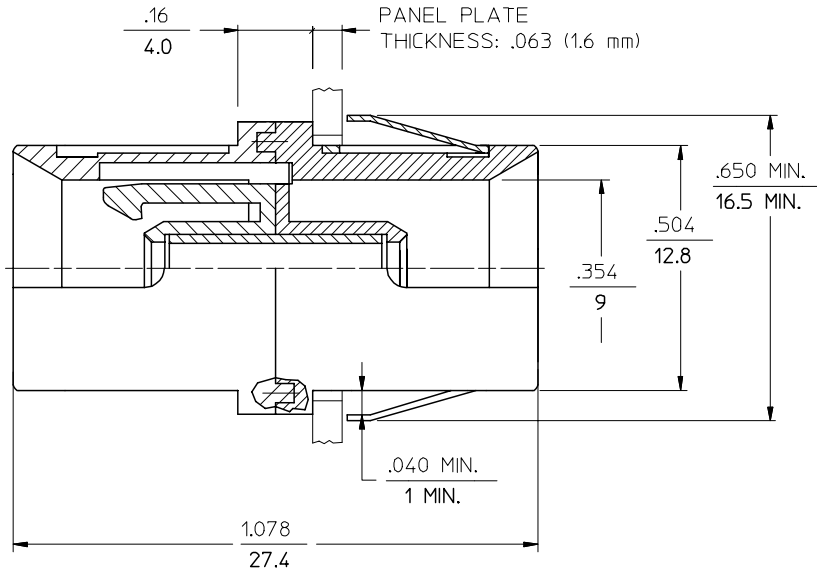
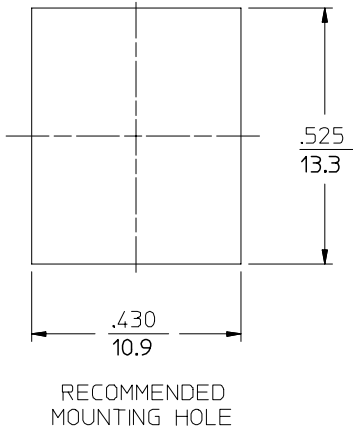
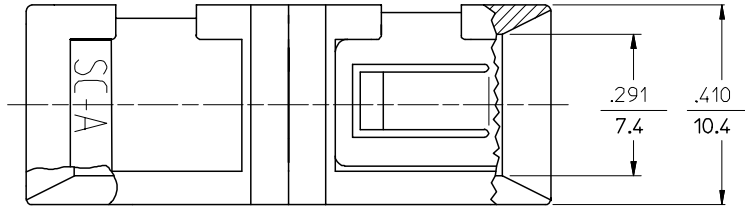
Tel: +86-755-8981 8866 Fax: +86-755-8427 6832

Email & Skype: info@chipsmall.com Web: www.chipsmall.com

Address: A1208, Overseas Decoration Building, #122 Zhenhua RD., Futian, Shenzhen, China



P/N OF ADAPTER	MATERIAL SPLIT SLEEVE	COLOR OF ADAPTER
106170-2000	CERAMIC	BLACK
106171-2000	PHOSPHOR BRONZE	
106170-2020	CERAMIC	GREEN
106171-2020	PHOSPHOR BRONZE	
106170-2030	CERAMIC	RED
106171-2030	PHOSPHOR BRONZE	



NOTES:
1. DUST CAPS ARE NOT SHOWN BUT INCLUDED.

ENTER DESCRIPTION EC NO: MF2006-0237 DRWNG: IBLIN CHKD: IBLIN APPR: IBLIN	QUALITY SYMBOLS ▽=0 ▽=0	GENERAL TOLERANCES (UNLESS SPECIFIED)		DIMENSION STYLE	SCALE	DESIGN UNITS	THIRD ANGLE PROJECTION
		mm	INCH	IN/MM	4:1	INCH	
		4 PLACES ±---	±---	DRAWN BY	DATE	TITLE	
		3 PLACES ±---	±---	RPACIFIC1	2005/10/13	BSC-2 BACK PANEL ADAPTER	
2 PLACES ±---	±---	CHECKED BY	DATE	APPROVED BY		DATE	MOLEX INCORPORATED
1 PLACE ±---	±---	APPROVED BY		DATE	DATE		
ANGULAR ±1/2°		DRAFT WHERE APPLICABLE MUST REMAIN WITHIN DIMENSIONS		MATERIAL NO.	DOCUMENT NO.	SHEET NO.	
				SEE TABLE	SD-106170-2000	1 OF 01	
				THIS DRAWING CONTAINS INFORMATION THAT IS PROPRIETARY TO MOLEX INCORPORATED AND SHOULD NOT BE USED WITHOUT WRITTEN PERMISSION			