



Chipsmall Limited consists of a professional team with an average of over 10 year of expertise in the distribution of electronic components. Based in Hongkong, we have already established firm and mutual-benefit business relationships with customers from,Europe,America and south Asia,supplying obsolete and hard-to-find components to meet their specific needs.

With the principle of “Quality Parts,Customers Priority,Honest Operation,and Considerate Service”,our business mainly focus on the distribution of electronic components. Line cards we deal with include Microchip,ALPS,ROHM,Xilinx,Pulse,ON,Everlight and Freescale. Main products comprise IC,Modules,Potentiometer,IC Socket,Relay,Connector.Our parts cover such applications as commercial,industrial, and automotives areas.

We are looking forward to setting up business relationship with you and hope to provide you with the best service and solution. Let us make a better world for our industry!



Contact us

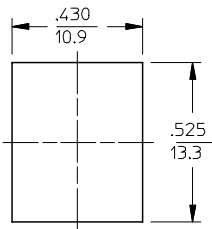
Tel: +86-755-8981 8866 Fax: +86-755-8427 6832

Email & Skype: info@chipsmall.com Web: www.chipsmall.com

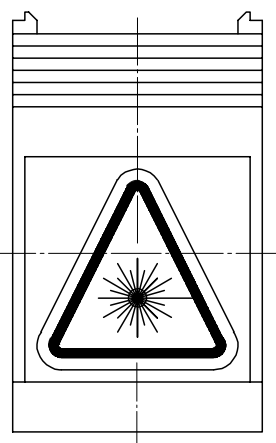
Address: A1208, Overseas Decoration Building, #122 Zhenhua RD., Futian, Shenzhen, China



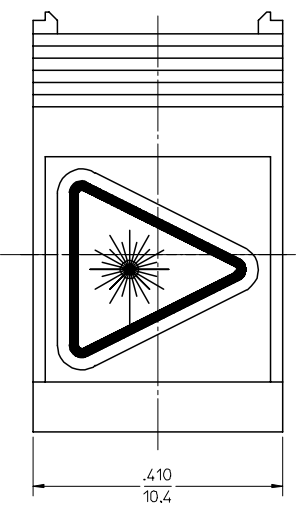
ADAPTER P/N	SPLIT SLEEVE MATERIAL	ADAPTER COLOR	METALIZED SHIELD
106170-0500	CERAMIC	BLACK	NO
106170-0520		GREEN	
106170-0529*		RED	
106170-0530		BLUE	
106170-0550		BEIGE	
106170-0554*		METALIZED	
106171-0500	PHOSPHOR BRONZE	BLACK	NO
106171-0520		GREEN	
106171-0530		RED	
106171-0550		BLUE	
106171-0551			
106171-0570			YES



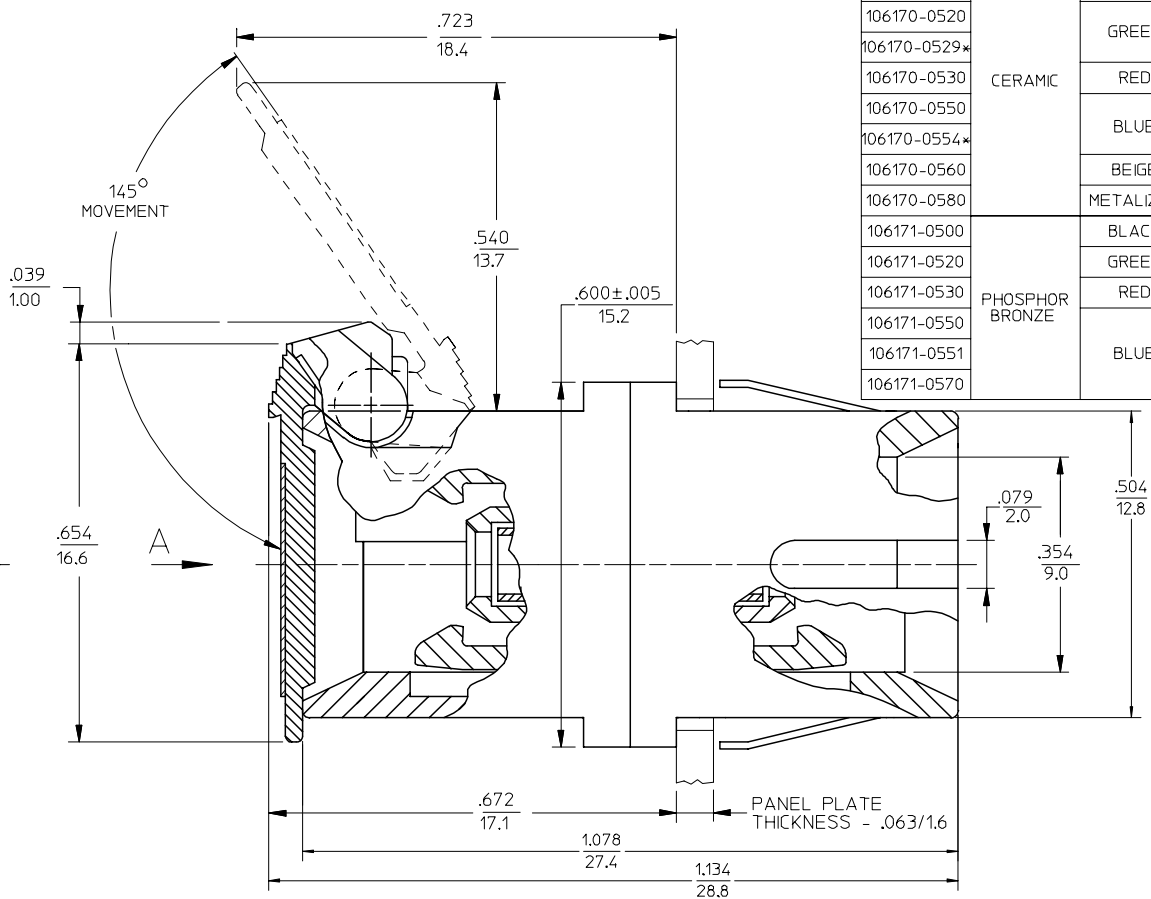
RECOMMENDED MOUNTING HOLE (SCALE 1:4)



VIEW A
VERSION 2



VIEW A
VERSION 1



- NOTES:
1. LABEL MUST BE INSTALLED AND ORIENTED BY CUSTOMER (SEE VIEW A).
 2. DUST CAP IS NOT SHOWN, BUT INCLUDED.
 - *3. P/NS 106170-0529, 106170-0554 AND 106171-0551 ARE BULK PACKED IN QUANTITIES OF 100 PCS.

ENTER DESCRIPTION EC NO: MF2008-0173 DRWN: JSZCZWK 2007/10/25 CHKD: 2007/10/25 APPR: IGUMIN 2007/10/25	QUALITY SYMBOLS ▽=0 ▽=0	GENERAL TOLERANCES (UNLESS SPECIFIED) <table border="1"> <thead> <tr> <th></th> <th>mm</th> <th>INCH</th> </tr> </thead> <tbody> <tr> <td>4 PLACES</td> <td>± ---</td> <td>± ---</td> </tr> <tr> <td>3 PLACES</td> <td>± ---</td> <td>± ---</td> </tr> <tr> <td>2 PLACES</td> <td>± ---</td> <td>± ---</td> </tr> <tr> <td>1 PLACE</td> <td>± ---</td> <td>± ---</td> </tr> </tbody> </table>		mm	INCH	4 PLACES	± ---	± ---	3 PLACES	± ---	± ---	2 PLACES	± ---	± ---	1 PLACE	± ---	± ---	DIMENSION STYLE IN/MM DRAWN BY: RPACIFICI DATE: 2005/10/13 CHECKED BY: DATE:	SCALE: 5:1 DESIGN UNITS: INCH THIRD ANGLE PROJECTION
		mm	INCH																
	4 PLACES	± ---	± ---																
	3 PLACES	± ---	± ---																
2 PLACES	± ---	± ---																	
1 PLACE	± ---	± ---																	
MATERIAL NO. SEE TABLE DOCUMENT NO. SD-1061XX-05X0	APPROVED BY: DATE:	TITLE: SC ADAPTER, SMALL FLANGE WITH SHUTTER																	
DRAFT WHERE APPLICABLE MUST REMAIN WITHIN DIMENSIONS	SIZE B	MOLEX INCORPORATED THIS DRAWING CONTAINS INFORMATION THAT IS PROPRIETARY TO MOLEX INCORPORATED AND SHOULD NOT BE USED WITHOUT WRITTEN PERMISSION																	
SHEET NO. 1 OF 01																			