



Chipsmall Limited consists of a professional team with an average of over 10 year of expertise in the distribution of electronic components. Based in Hongkong, we have already established firm and mutual-benefit business relationships with customers from,Europe,America and south Asia,supplying obsolete and hard-to-find components to meet their specific needs.

With the principle of “Quality Parts,Customers Priority,Honest Operation,and Considerate Service”,our business mainly focus on the distribution of electronic components. Line cards we deal with include Microchip,ALPS,ROHM,Xilinx,Pulse,ON,Everlight and Freescale. Main products comprise IC,Modules,Potentiometer,IC Socket,Relay,Connector.Our parts cover such applications as commercial,industrial, and automotives areas.

We are looking forward to setting up business relationship with you and hope to provide you with the best service and solution. Let us make a better world for our industry!



Contact us

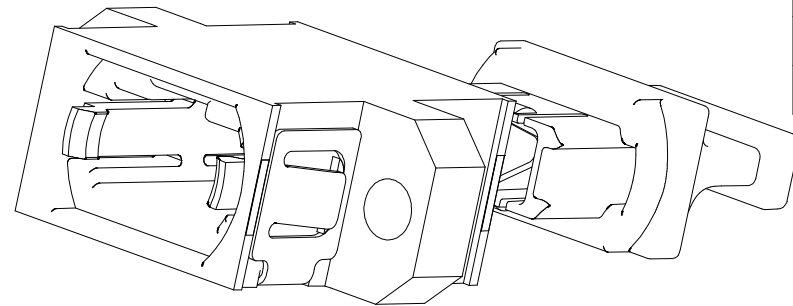
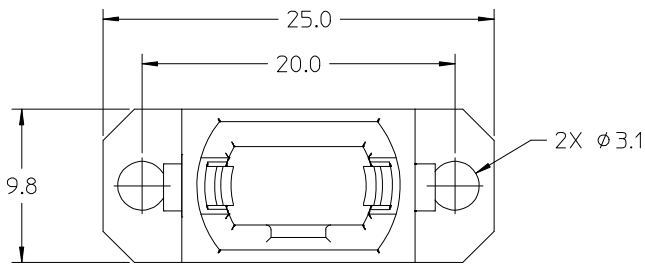
Tel: +86-755-8981 8866 Fax: +86-755-8427 6832

Email & Skype: info@chipsmall.com Web: www.chipsmall.com

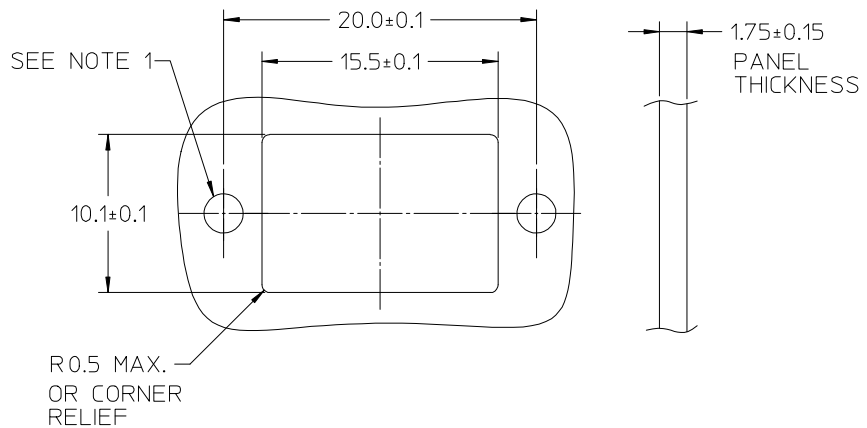
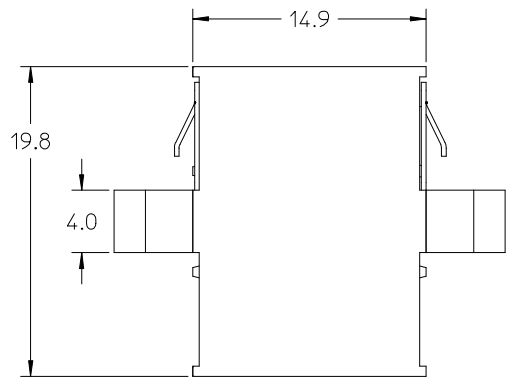
Address: A1208, Overseas Decoration Building, #122 Zhenhua RD., Futian, Shenzhen, China



MX P/N	ADAPTER COLOR	KEY ORIENTATION
106181-0000	BLACK	OPPOSED*
106181-0100	GRAY	ALIGNED



TWO DUST CAPS ARE PROVIDED



RECOMMENDED MOUNTING CUTOUT

- NOTES:
- RECOMMEND USE OF M2.5 OR 4-40 SCREW AND NUT (NOT PROVIDED).
RECOMMEND 2in-lbf TORQUE FOR SCREW MOUNT APPLICATIONS.
 - *"OPPOSED" KEY ORIENTATION IS THE STANDARD FOR MTP.
 - MATERIALS:
ADAPTER BODY - POLYETHERIMIDE
FLAMMABILITY - UL94 V-0
SPRING CLIP - STAINLESS STEEL
DUST PLUG - POLYCARBONATE:
SURFACE RESISTIVITY - <1E12 ohm/sq
TML - <1%
FLAMMABILITY - UL94 V-0

ENTER DESCRIPTION EC NO: MF2010-0164 DRWN: LGUMIN 2009/10/12 CHKD: LGUMIN 2009/10/12 APPR: LGUMIN 2009/10/12 REV B	QUALITY SYMBOLS	GENERAL TOLERANCES (UNLESS SPECIFIED)	DIMENSION STYLE	SCALE	DESIGN UNITS	THIRD ANGLE PROJECTION	
	▼=0 ∇=0	mm INCH 4 PLACES ±--- ±--- 3 PLACES ±--- ±--- 2 PLACES ±--- ±--- 1 PLACE ±--- ±--- ANGULAR ±1/2°	MM ONLY	---	INCH	DRAWN BY KP DATE 2006/07/07 CHECKED BY DATE APPROVED BY ILG DATE 2006/07/07 MATERIAL NO. SEE TABLE DOCUMENT NO. SD-106181-0000	MTP ADAPTER FULL FLANGE MOLEX INCORPORATED SHEET NO. 1 OF 1
	DRAFT WHERE APPLICABLE MUST REMAIN WITHIN DIMENSIONS		THIS DRAWING CONTAINS INFORMATION THAT IS PROPRIETARY TO MOLEX INCORPORATED AND SHOULD NOT BE USED WITHOUT WRITTEN PERMISSION				